

Wiley Electronics LLC

Washer, Electrical Equipment Bond

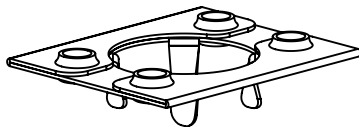
WEEB

Patent Pending

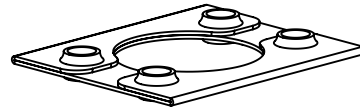
INSTALLATION INSTRUCTIONS

For Universal Bonding Applications

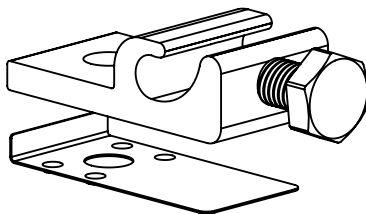
Please read carefully before installing.



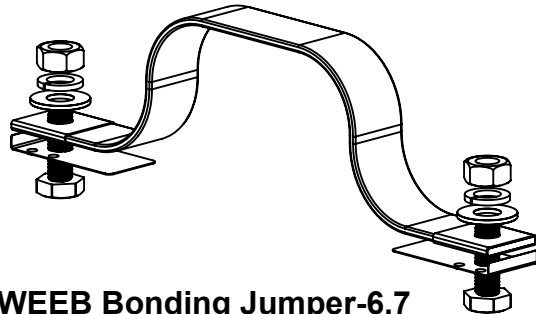
WEEB-9.5



WEEB-9.5 NL



WEEBL-6.7



WEEB Bonding Jumper-6.7



Products are tested to UL 467 3098177
UL standard for safety grounding and bonding equipment

Document Number 104-0404-000001-203

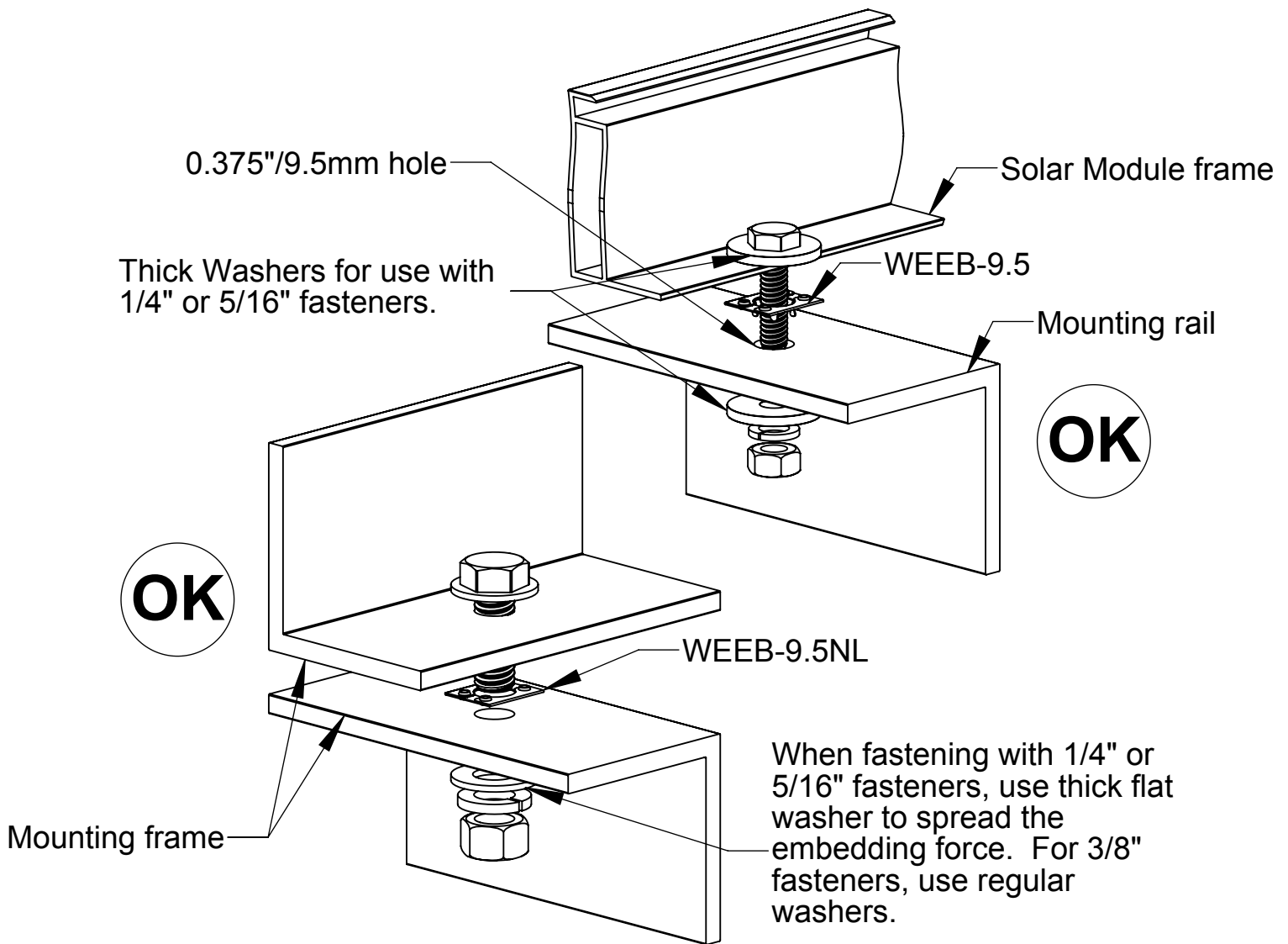
WEEB COMPATIBILITY

The WEEB family of products can be used to bond anodized aluminum, galvanized steel, steel and other electrically conductive metal structures.

WEEB-9.5 / WEEB-9.5NL

The WEEB-9.5 and WEEB-9.5NL are designed for bonding pole and ground mount systems as well as other universal mounting structures. The retaining legs on the WEEB-9.5's are designed to fit in a 3/8" diameter clearance hole and are compatible with 1/4"-5/16" fasteners. The WEEB-9.5NLs are used to bond any two members with clearance hole diameters ranging from 1/4"-3/8".

The following are ways that the WEEB-9.5 and WEEB-9.5NL are used.

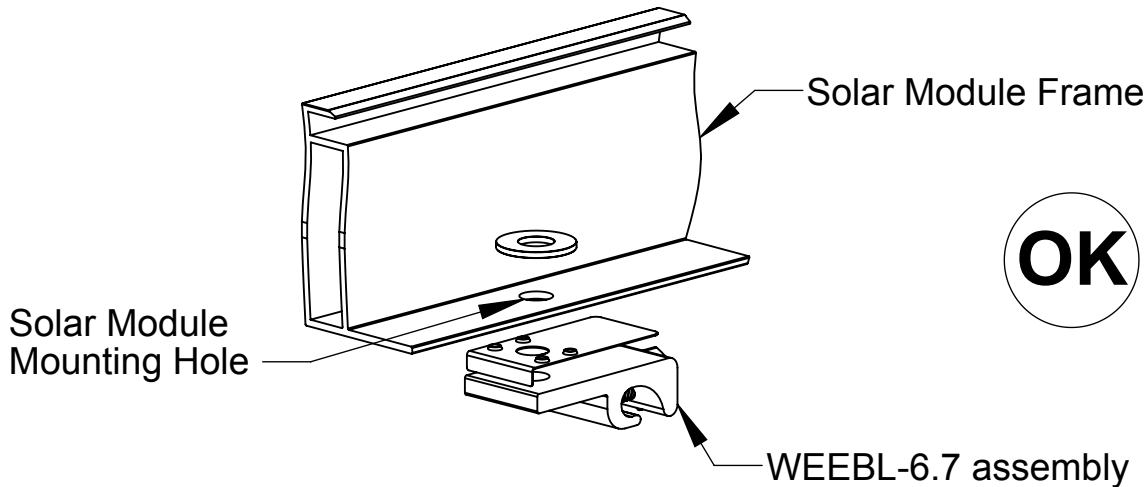


Installation Spec Table	Washer Description	Qty used per WEEB-9.5/9.5NL	Installation Torque (with anti-seize)
1/4" fasteners	1/4" clearance	2	10 ft-lb/13.5 N-m
5/16" fasteners	5/16" clearance	2	15 ft-lb/20.5 N-m

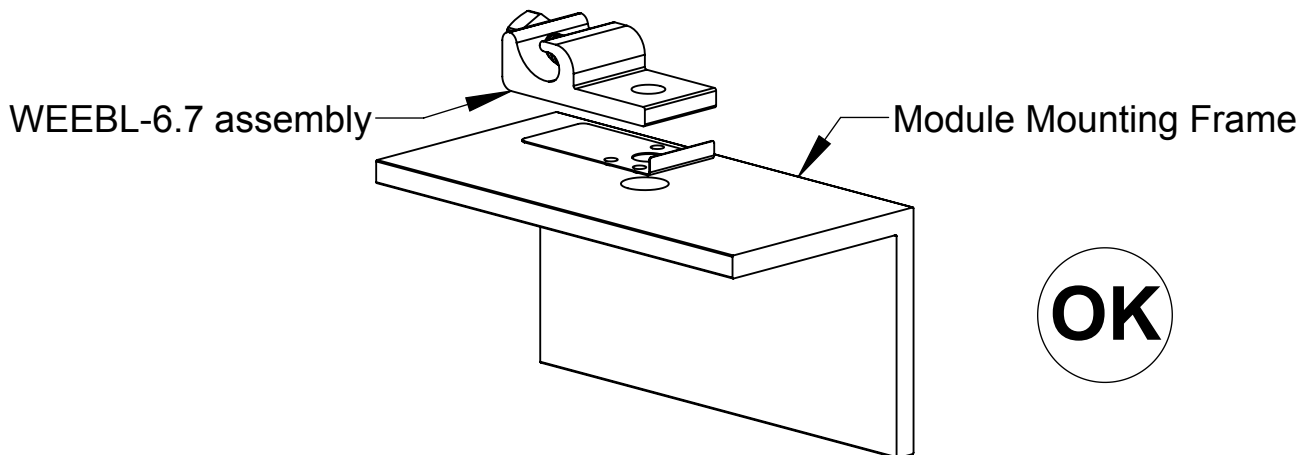
WEEBL-6.7 assembly

The following are a few universal ways to use the WEEBL-6.7 assembly with an equipment ground conductor. No removal of the anodized surface is required.

Connect Solar Module Frame to Ground Conductor



Connect Mounting Frame to Ground Conductor

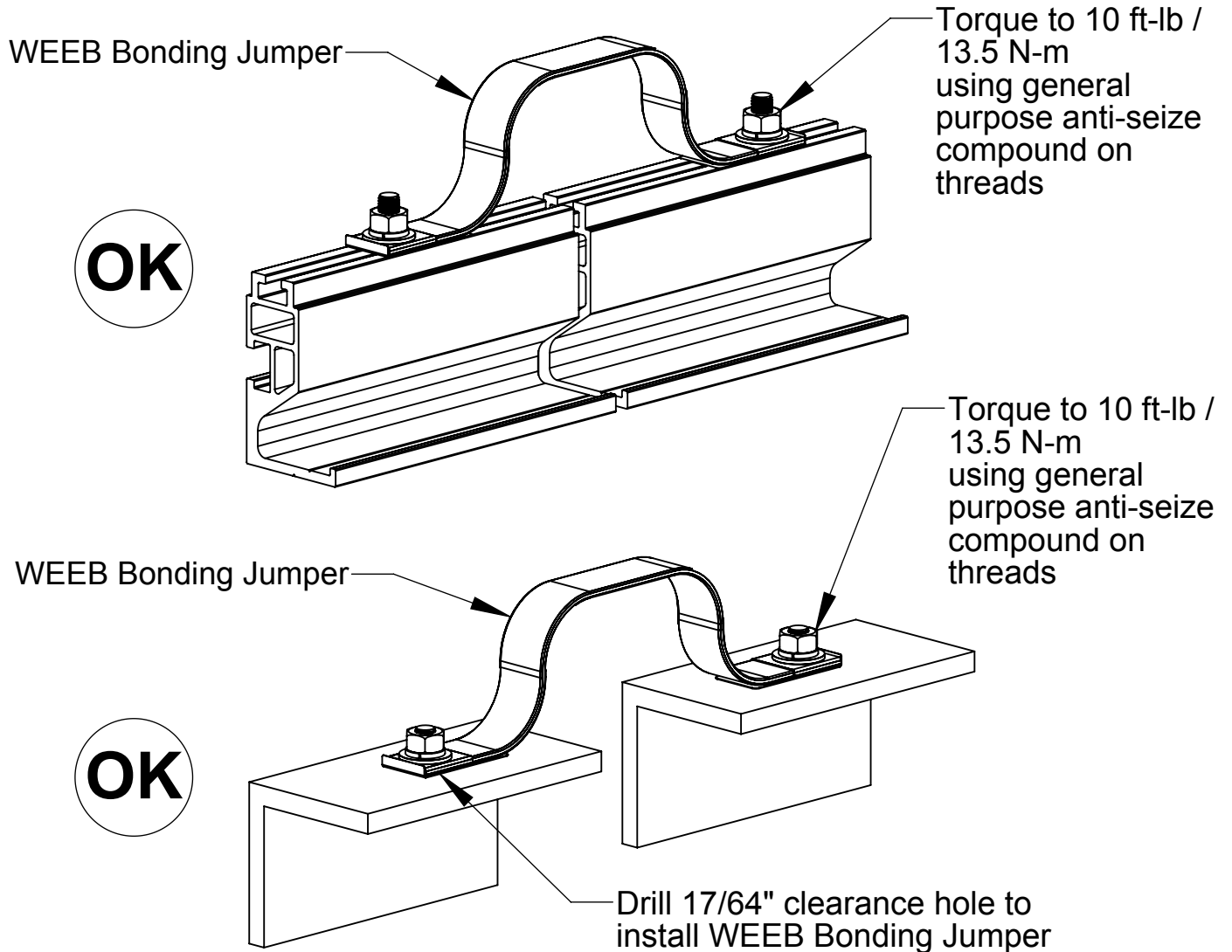


Important note:

1. Before tightening WEEBLug mounting screw, ensure that the WEEB teeth face towards the aluminum surface and not the WEEBLug. The WEEB-6.7 washer should lie completely between the WEEBLug and the grounding surface.
2. WEEB washers are intended for **SINGLE USE ONLY**. Functionality will not be guaranteed if reused.
3. Tighten mounting screw to 10ft-lb/13.5N-m to ensure that the WEEB-teeth fully embed into the mounting surface. Use general purpose anti-seize compound on threads.

WEEB Bonding Jumper

The WEEB Bonding Jumper can be used to electrically connect any two pieces of anodized aluminum, galvanized steel, steel and other electrically conductive metal.



Important note:

1. Before tightening WEEB Bonding Jumper mounting screw, ensure that the WEEB teeth face towards the aluminum surface and not the WEEB Bonding Jumper. The WEEB-6.7 washer should lie completely between the ends of the WEEB Bonding Jumper and the grounding surface.
2. WEEB washers are intended for **SINGLE USE ONLY**. Functionality will not be guaranteed if reused.
3. Tighten mounting screw to 10ft-lb/13.5N-m to ensure that the WEEB-teeth fully embed into the mounting surface. Use general purpose anti-seize compound on threads.