



Washer, Electrical Equipment Bond

# WEEB® WASHER

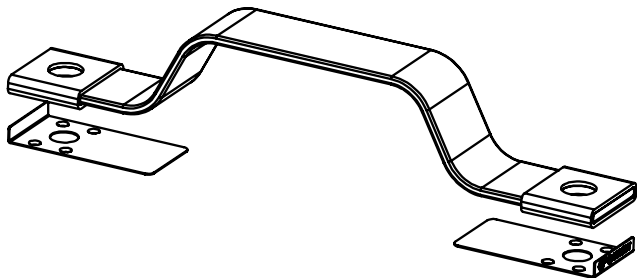
## INSTALLATION INSTRUCTIONS

*For IronRidge Light & Standard Series Rails only*

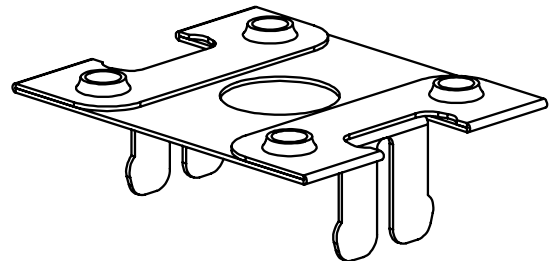
Please read carefully before installing.

Burndy LLC recommends that the sufficient details of the installation be submitted to the AHJ for approval before any work is started.

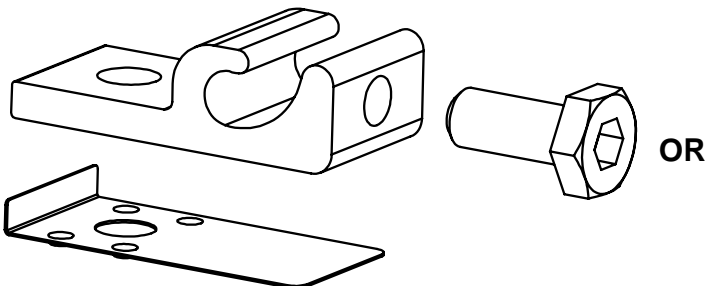
<b>NOTICE</b>	
	<p>PLEASE READ CAREFULLY BEFORE INSTALLING</p>



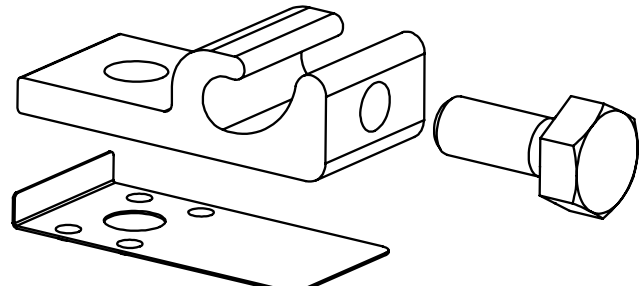
**WEEB-BNDJMP6.7**



**WEEB-DMC**



**WEEB-LUG-6.7HS**



**WEEB-LUG-6.7**



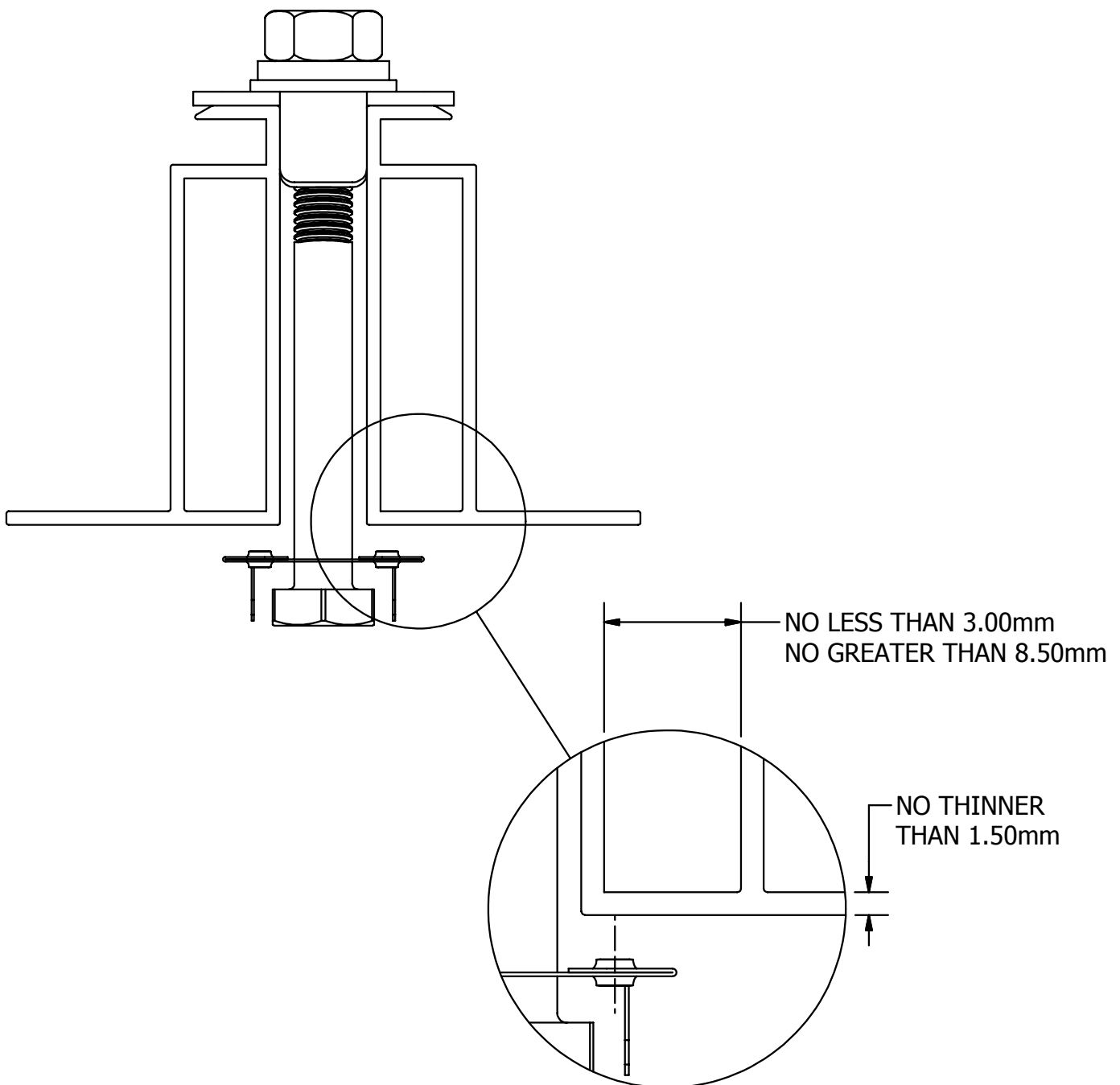
Products are tested to UL 467, CAN/CSA-C22.2 No. 41  
US/ Canadian standards for safety grounding and bonding equipment.



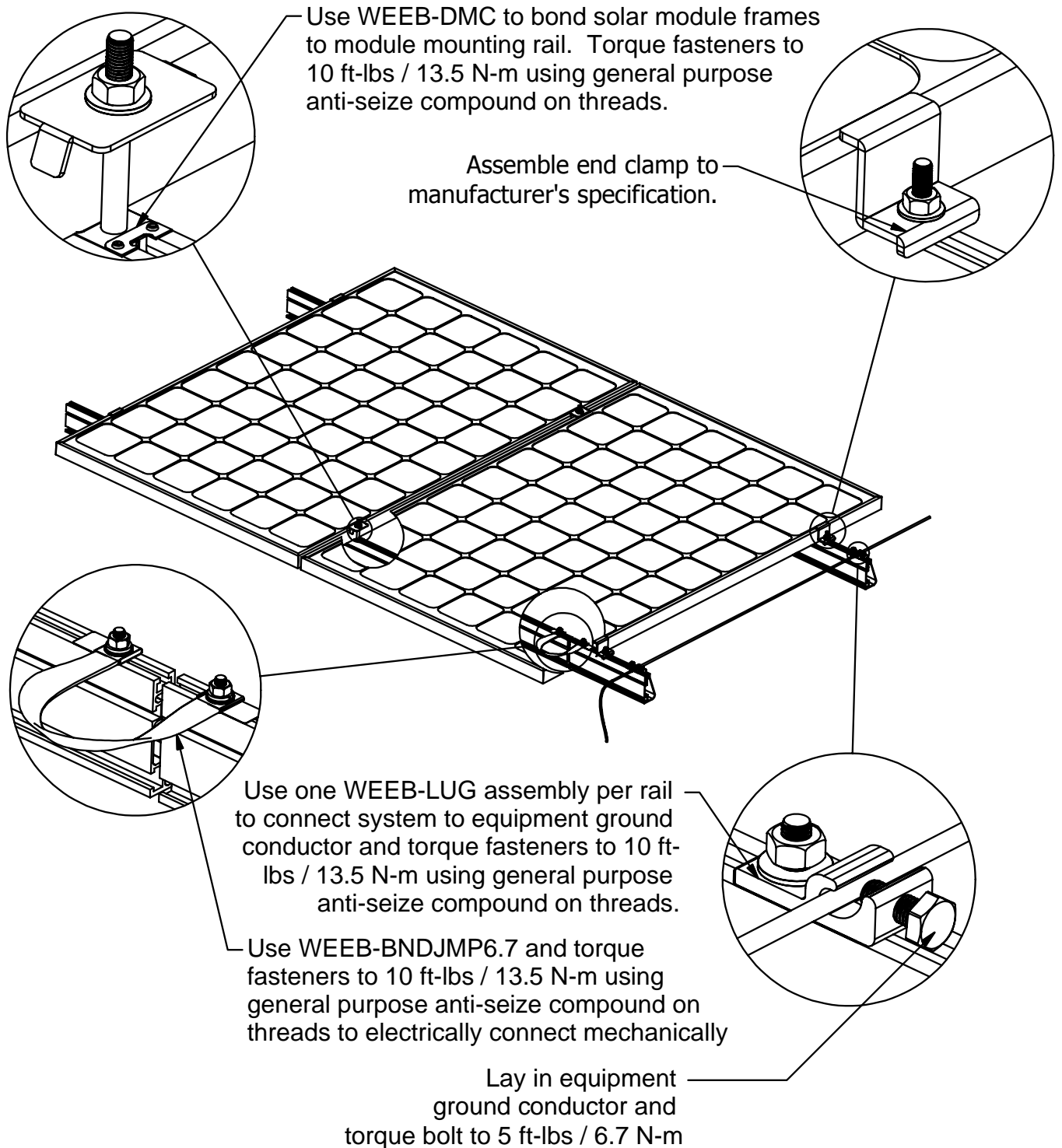
# WEEB-DMC on Boxed Module Frames

The WEEB® washer family of products can be used to bond anodized aluminum, galvanized steel, steel and other electrically conductive metal structures. All installations shall be in accordance with NEC requirements in the USA and with CSA C22.1 in Canada. The WEEB® washers are for use with modules that have a maximum fuse rating of less than 25A.

Certain module frames do not have enough structural strength to withstand the force required to embed a WEEB® washer. These frames will deform and therefore not allow sufficient penetration of the WEEB® washer teeth. The general requirements for minimum module frame thickness of boxed" type module frames are illustrated below. For more information regarding module compatibility, please see the technical documents section of our website.



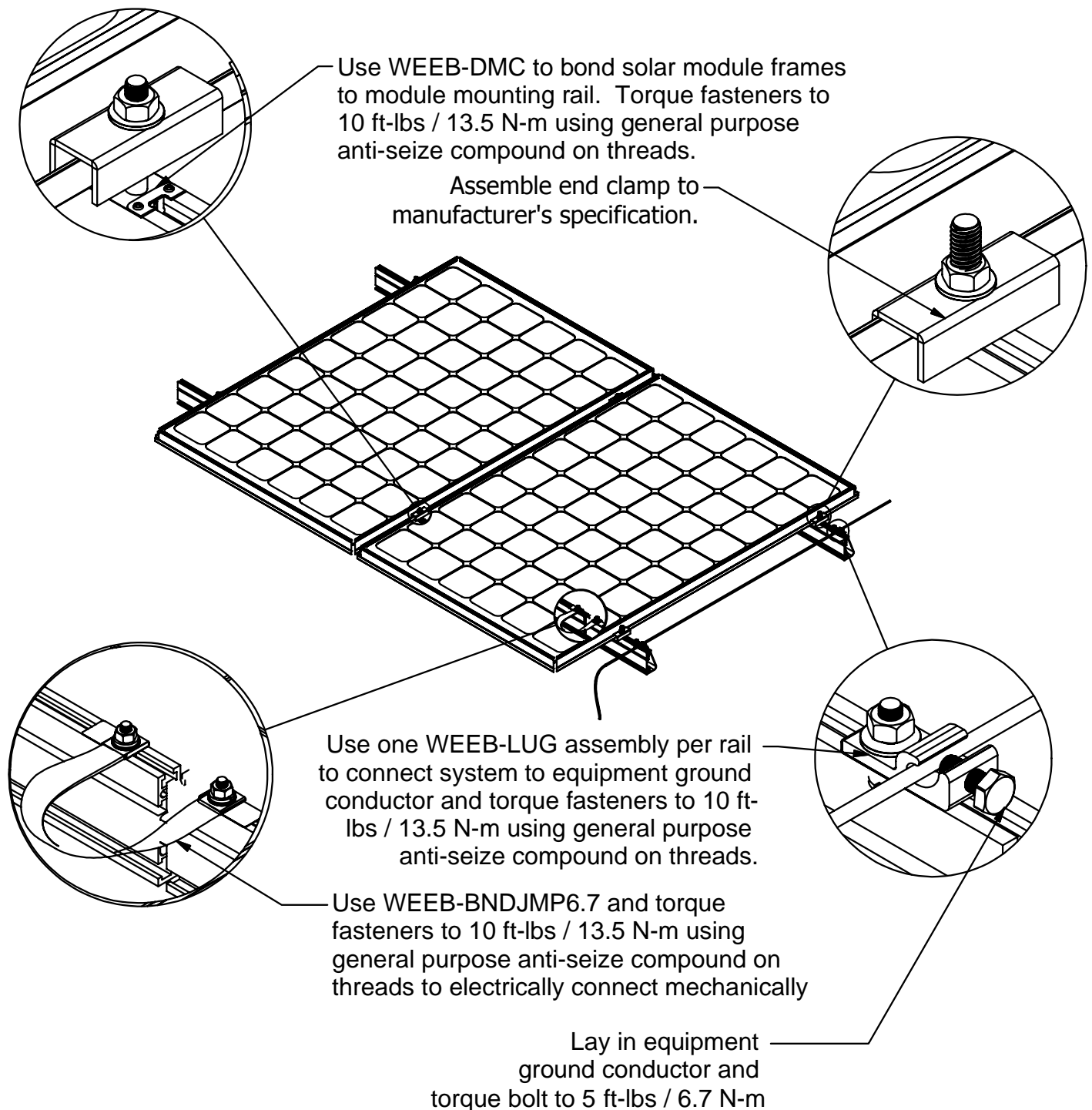
# SYSTEM OVERVIEW USING WEEB-DMC



## Important notes:

1. Use general purpose anti-seize compound on fastener threads when installing WEEB® washers (unless already pre-applied).
2. The NEC section 690.43 states “Exposed non-current carrying metal parts of module frames, equipment, and conductor enclosures shall be grounded in accordance with 250.134 or 250.136(A) regardless of voltage”.

# SYSTEM OVERVIEW USING WEEB-DMC AND LOW LIPPED MODULE FRAMES

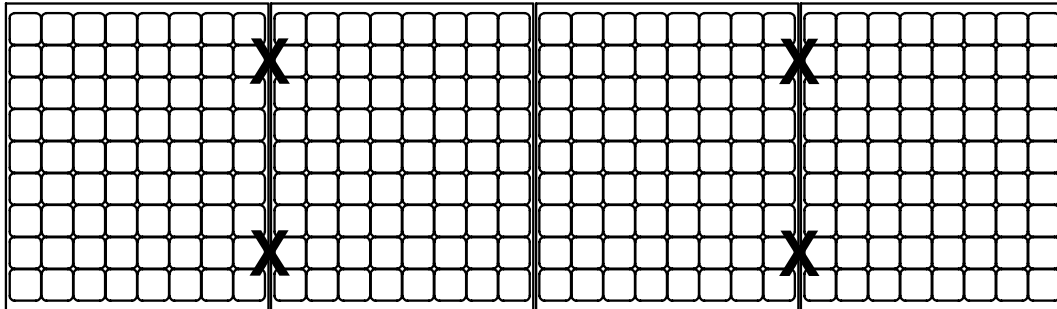


## Important notes:

1. Use general purpose anti-seize compound on fastener threads when installing WEEB® washers (unless already pre-applied).
2. The NEC section 690.43 states “Exposed non-current carrying metal parts of module frames, equipment, and conductor enclosures shall be grounded in accordance with 250.134 or 250.136(A) regardless of voltage”.

# WEEB-DMC LAYOUT

## EVEN NUMBER OF MODULES IN ROW

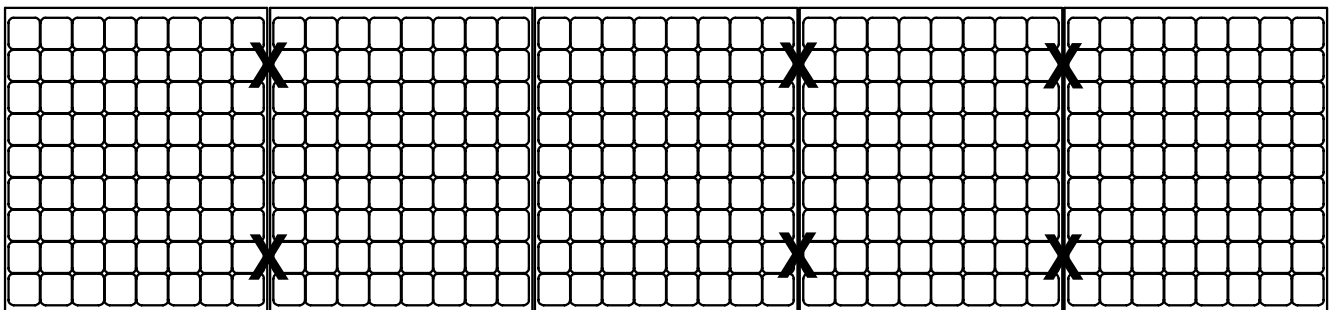


X DENOTES PLACES TO INSTALL WEEB-DMC

$$\text{COLUMN X ROW} = C \times R = 4 \times 1 = 4$$

$$\text{WEEB-DMC NEEDED} = 4$$

## ODD NUMBER OF MODULES IN ROW



X DENOTES PLACES TO INSTALL WEEB-DMC

$$[\text{COLUMN} + 1] \times \text{ROW} = [C + 1] \times R = [5 + 1] \times 1 = 6$$

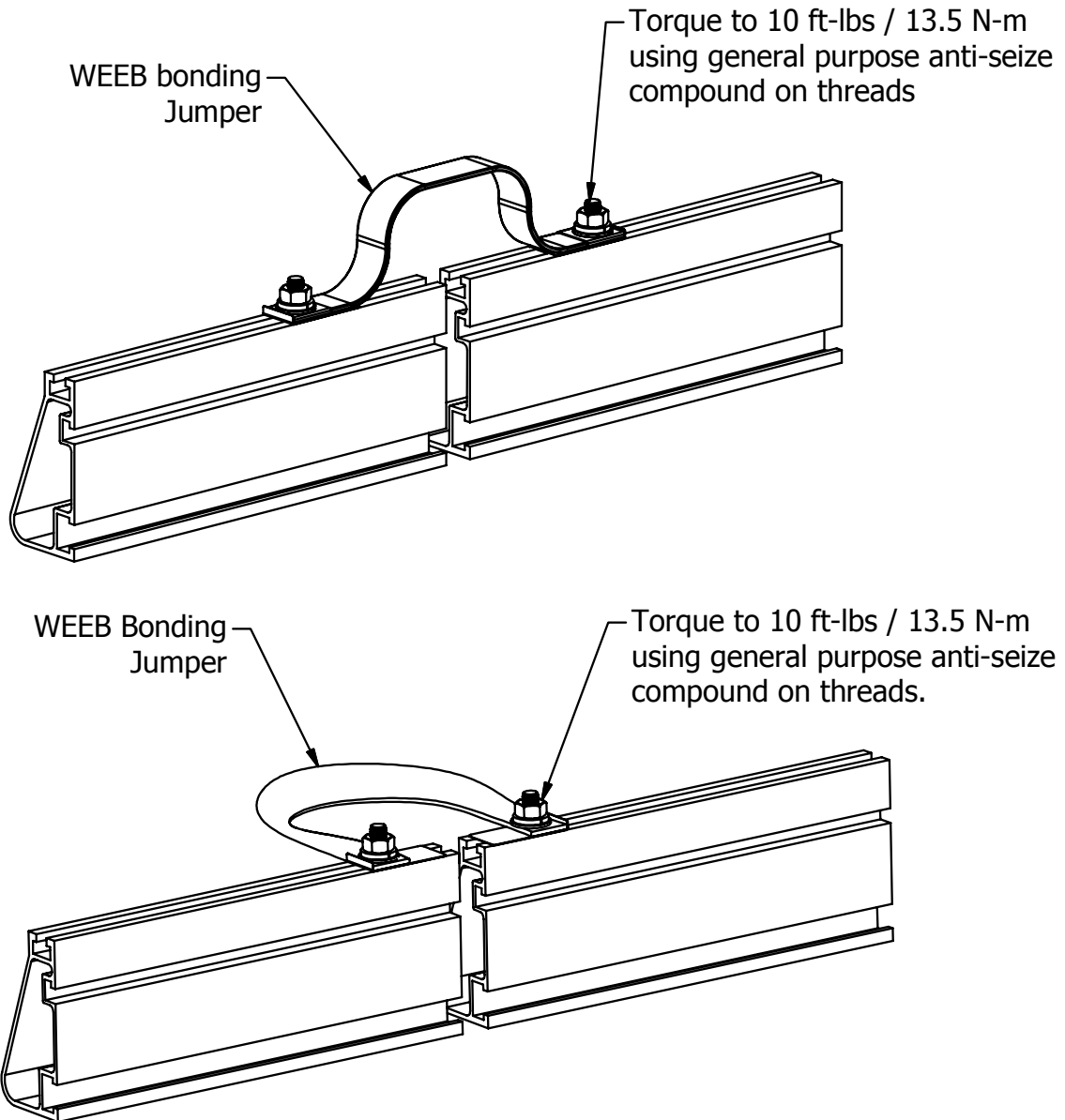
$$\text{WEEB-DMC NEEDED} = 6$$

### Note:

When replacing a single faulty module, also remove the adjacent module which contacts the same WEEB® washers as the faulty module. This will ensure that there are never ungrounded modules in the array.

# WEEB-BNDJMP6.7 ASSEMBLY

The Flexible WEEB® Bonding jumper can be mounted on rail splices including expansion Joints in different ways shown below



Route WEEB® Bonding Jumper as shown above if the edge of solar module lands between two splice rails.

**Customer Service Department**  
7 Aviation Park Drive  
Londonderry, NH 03053  
1-800-346-4175  
1-603-647-5299 (International)