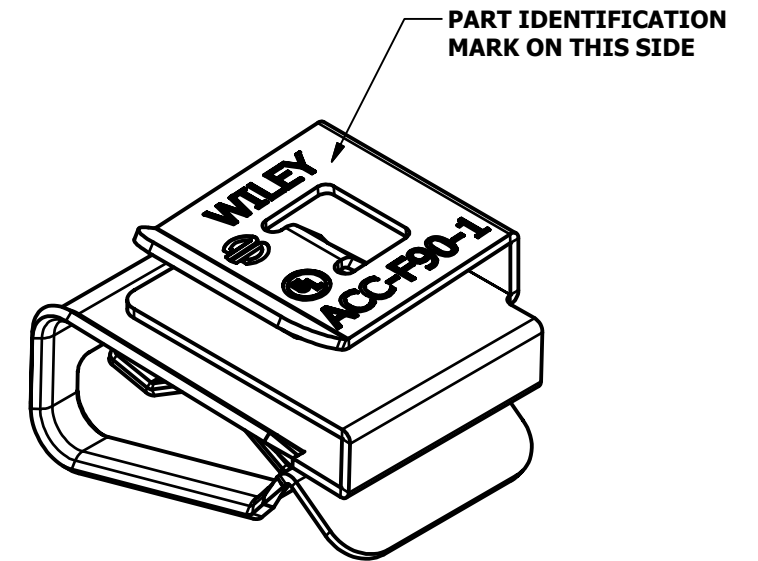
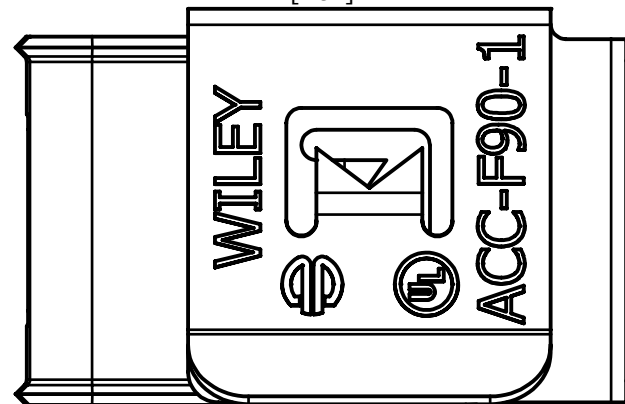
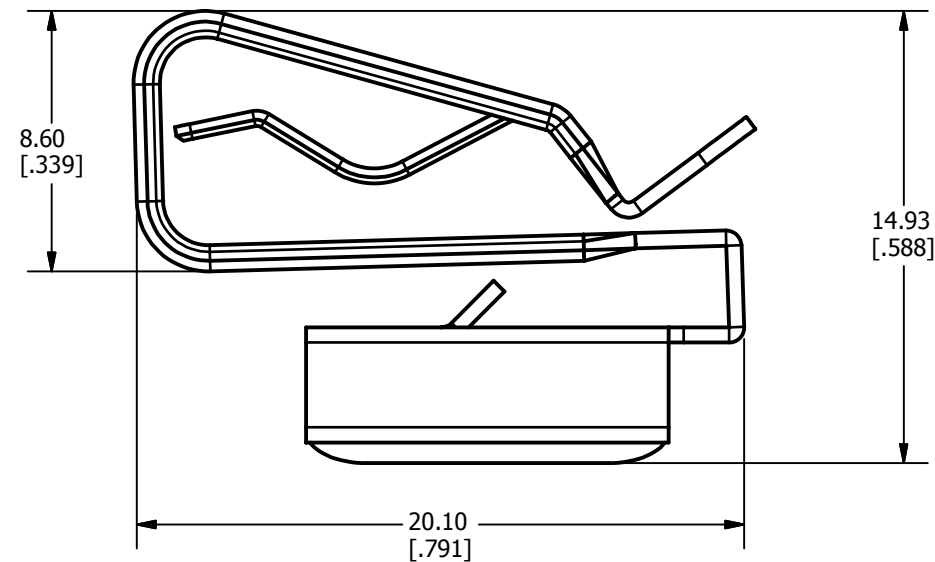
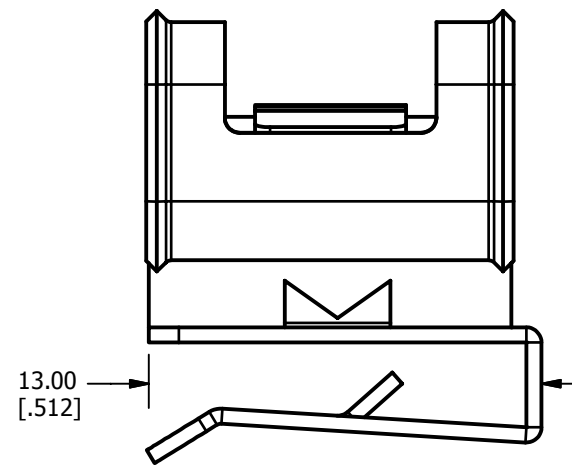
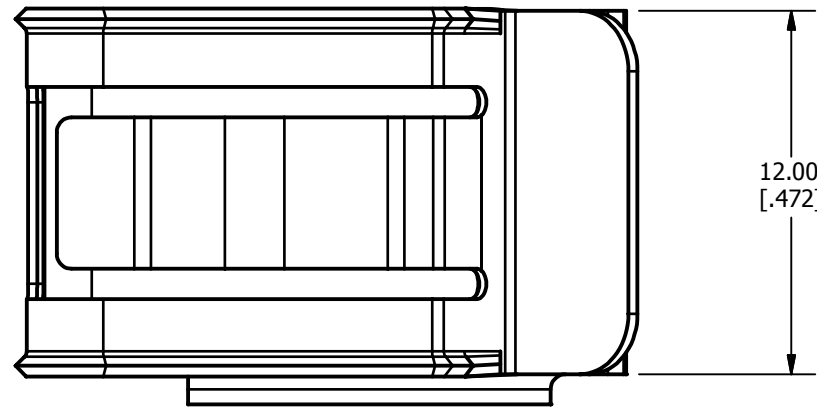


REV	DATE	DESCRIPTION	ECO	BY	CHK.
B	7/9/2015	MARKING UPDATED	40912	GN	SD



3D VIEWS

NOTES:

1. MATERIAL: 304 STAINLESS STEEL.
2. DIMENSIONS IN BRACKETS [] ARE IN INCHES ROUNDED OFF TO THE NEAREST TENTH, UNLESS OTHERWISE SPECIFIED AND ARE FOR REFERENCE ONLY.
3. DESIGNED TO HOLD UP TO (2) USE-2 WIRES OR UP TO (2) PV WIRES.
4. LISTED TO UL1565 STANDARD FOR POSITIONING DEVICES.

TO ORDER BURNDY PRODUCTS CALL UNITED STATES 1-800-346-4175 (LONDONDERRY, NH) CANADA: 1-800-361-6975 (QUEBEC) 1-800-387-6487 (ALL OTHER PROVINCES) FOR PRODUCT INFO: http://www.burndy.com		ACME CABLE CLIP	
		ITEM NO: 50042497 CAT. NO: ACC-F90-1	
DRAWN BY: GNATHR 07/9/2015 CHECKER: E MARTIN 08/27/2015 DSN APRVL: E MARTIN 08/27/2015 MFG APRVL: QA APRVL: C KOWALCZYK 08/27/2015 MKT APRVL: S PARSONS 09/17/2015			
PROD FAM: PROJECT #: DOCUMENT TYPE: SALES REL LEVEL: Released	SIZE: B	DRAWING NO: 50042499 SHEET 1 OF 1	REV: B