

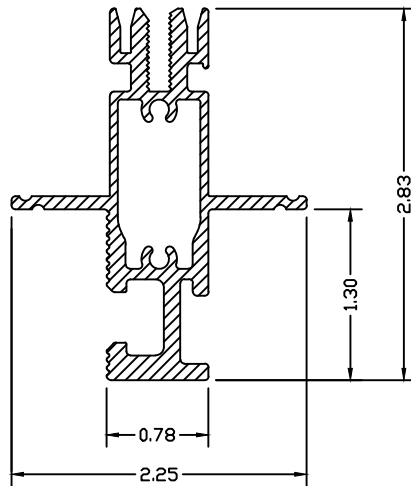
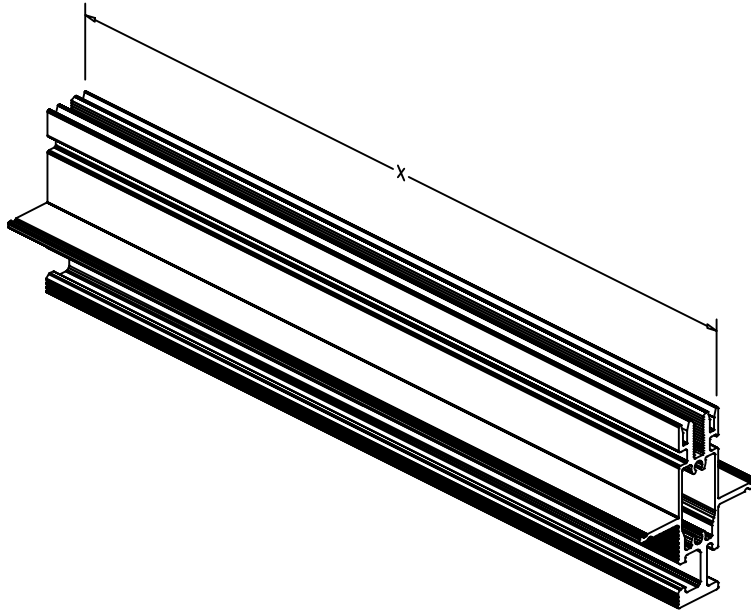
UNIRAC[®]

© 2008 UNIRAC, INC.

1411 BROADWAY BLVD NE
ALBUQUERQUE, NM 87102 USA
PHONE 505.242.6411
UNIRAC.COM
URASSY-0005

Installation Detail

SunFrame L-Foot Standoff Connection



 **UNIRAC**[®]

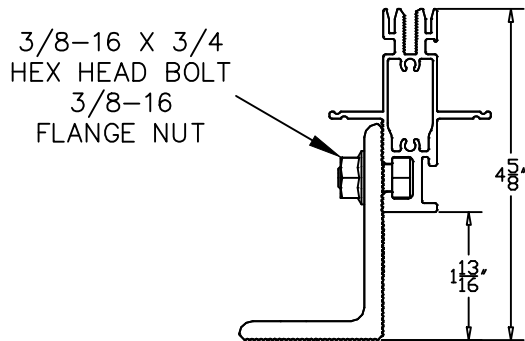
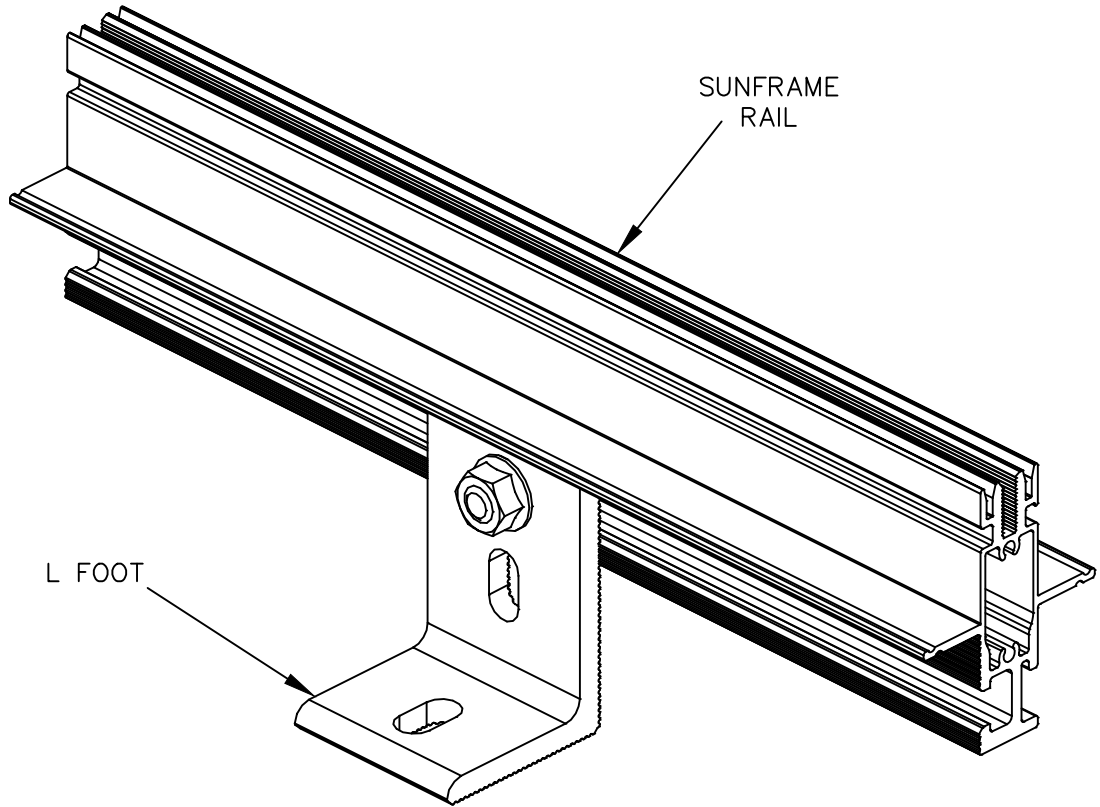
© 2008 UNIRAC, INC.

1411 BROADWAY BLVD NE
ALBUQUERQUE, NM 87102 USA
PHONE 505.242.6411
UNIRAC.COM

UNIRAC-302016

SunFrame

Rail



 **UNIRAC**[®]

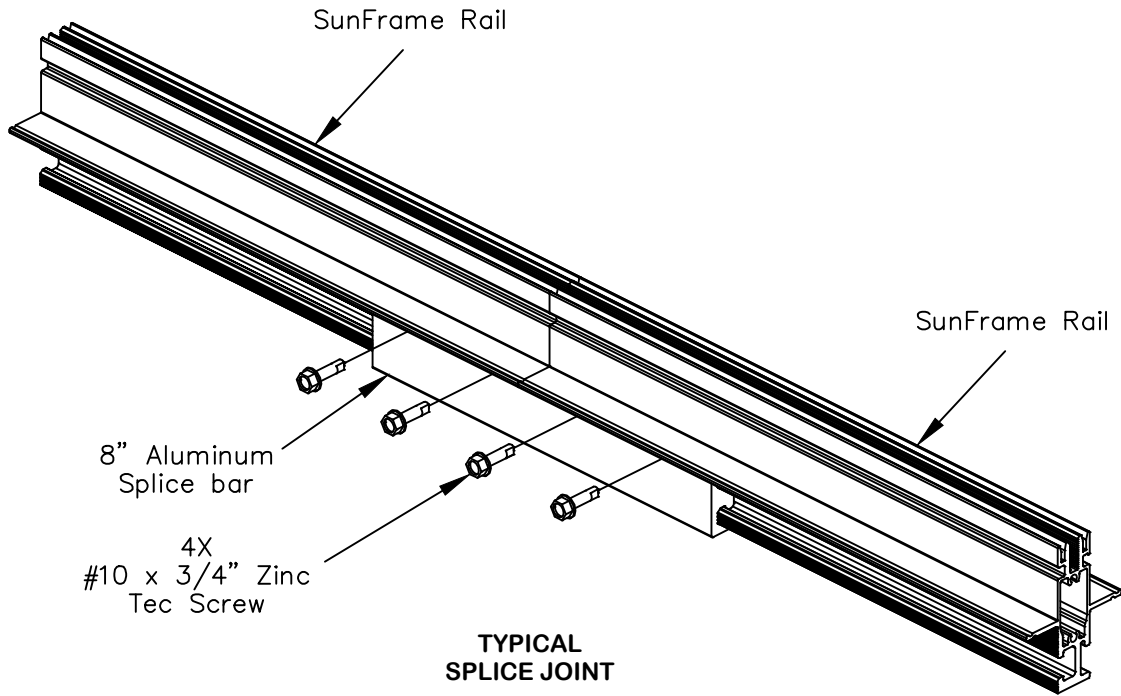
© 2008 UNIRAC, INC.

1411 BROADWAY BLVD NE
ALBUQUERQUE, NM 87102 USA
PHONE 505.242.6411
UNIRAC.COM
URASSY-0007

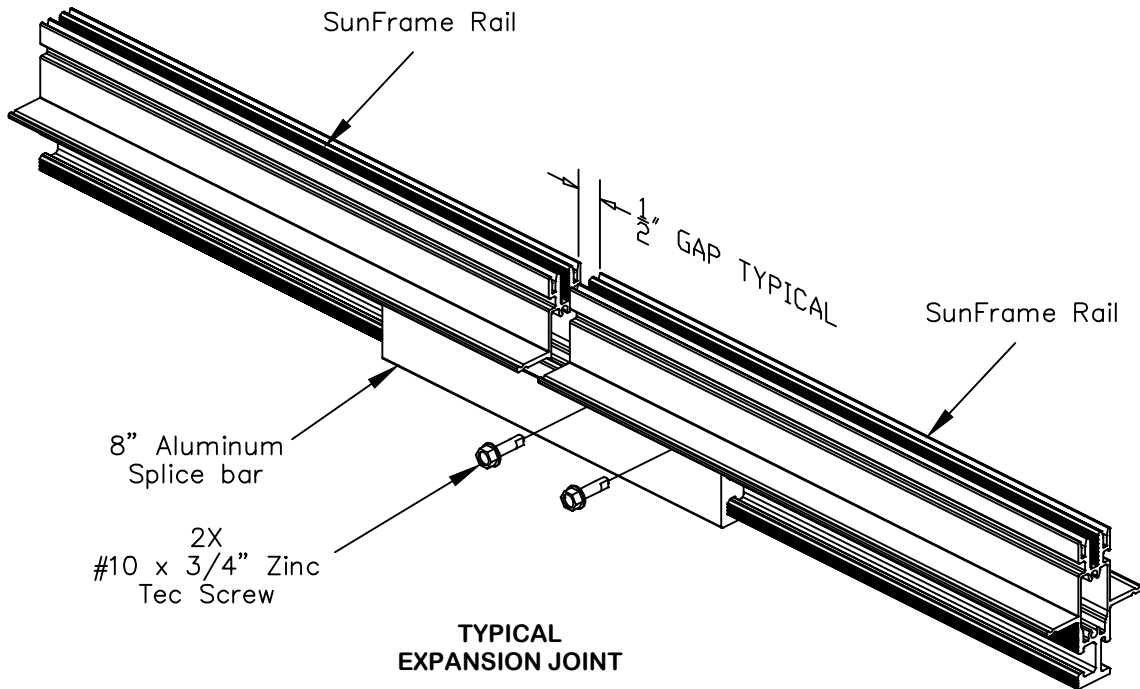
Installation Detail

**SunFrame Rail
L-Foot Connection**

Last Modified 09/15/09



**TYPICAL
SPLICE JOINT**



**TYPICAL
EXPANSION JOINT**

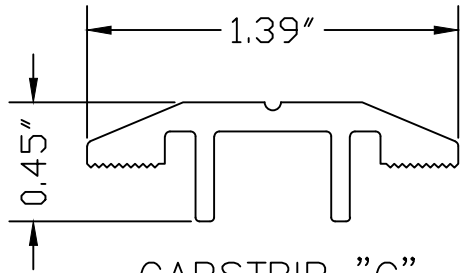
UNIRAC[®]

© 2008 UNIRAC, INC.

1411 BROADWAY BLVD NE
ALBUQUERQUE, NM 87102 USA
PHONE 505.242.6411
UNIRAC.COM
URASSY-0014

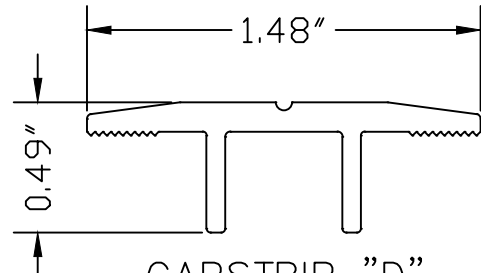
SunFrame

**8" Aluminum
Serrated Splice Bar
Splice Joint and Expansion Joint**



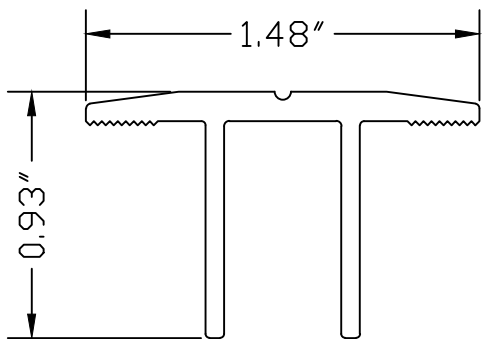
CAPSTRIP "C"

1.34–1.42 (34mm–36mm)
Module Thickness



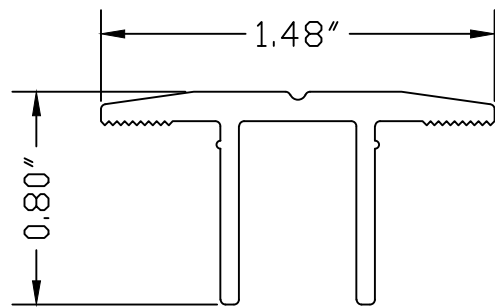
CAPSTRIP "D"

1.50–1.57 (38mm–40mm)
Module Thickness



CAPSTRIP "E"

1.93–2.01 (49mm–51mm)
Module Thickness



CAPSTRIP "F"

1.77–1.85 (45mm–47mm)
Module Thickness



© 2008 UNIRAC, INC.

1411 BROADWAY BLVD NE
ALBUQUERQUE, NM 87102 USA
PHONE 505.242.6411
UNIRAC.COM
UNIRAC-321106

SunFrame

Capstrip
Data