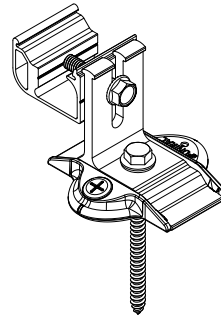
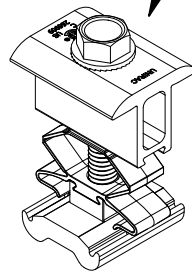
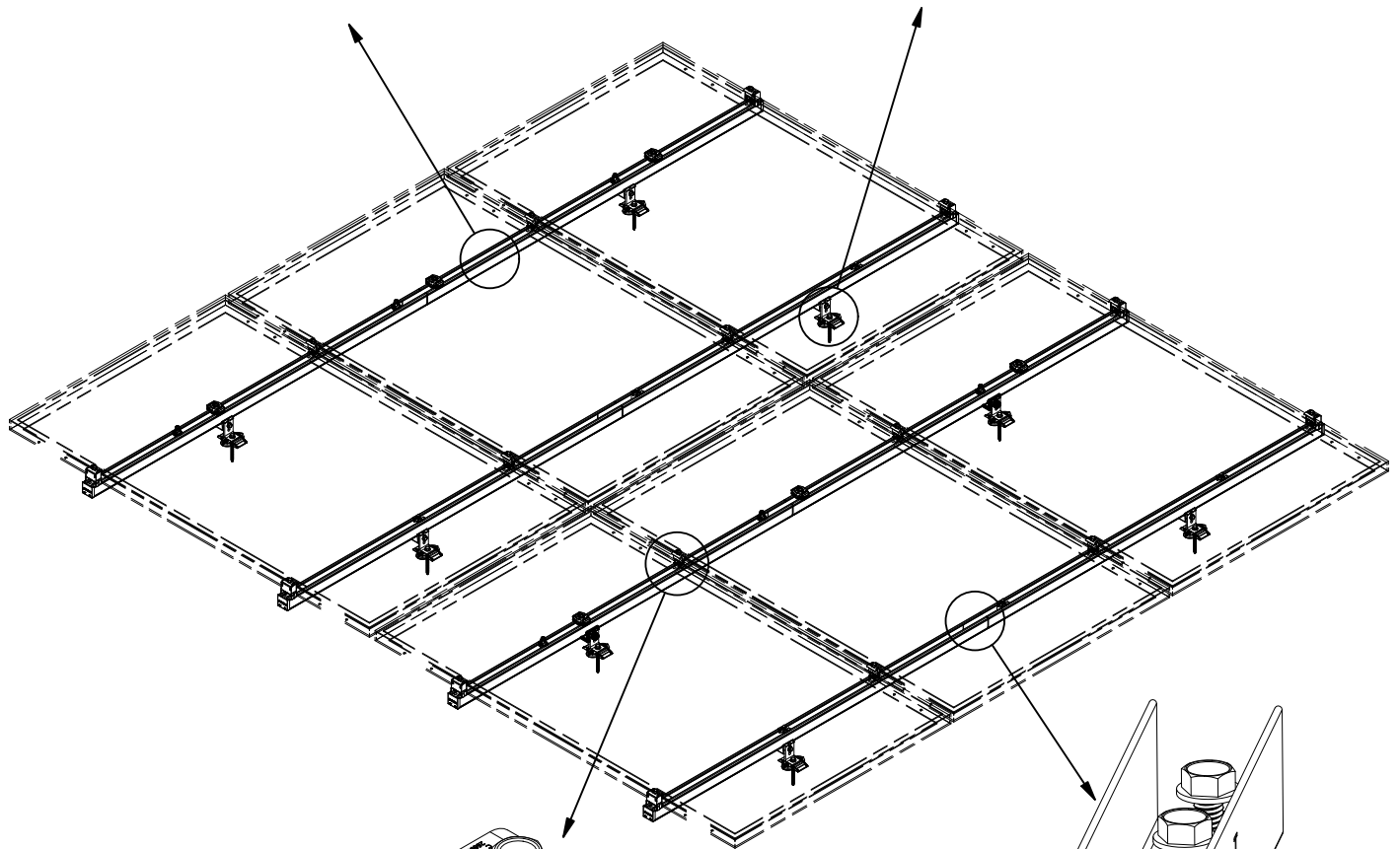


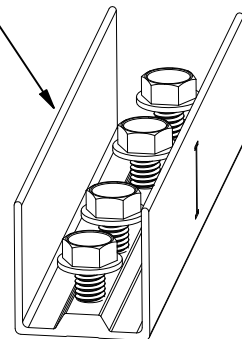
RAIL
SEE PAGE NU-P01



STRONGHOLD ATTACHMENT KIT
SEE PAGE NU-A04



COMBO CLAMP
SEE PAGE NU-A03



RAIL SPLICE
SEE PAGE NU-P02

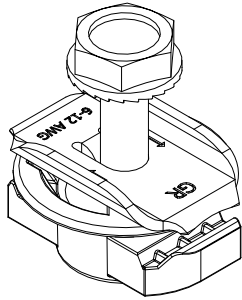


1411 BROADWAY BLVD. NE
ALBUQUERQUE, NM 87102 USA
PHONE: 505.242.6411
WWW.UNIRAC.COM

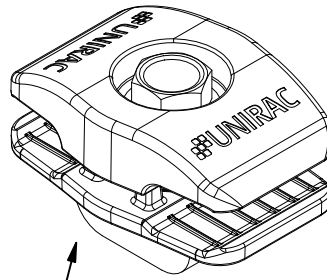
PRODUCT LINE:	NXT UMount
DRAWING TYPE:	PART & ASSEMBLY
DESCRIPTION:	MODULE ASSEMBLY
REVISION DATE:	2/29/2024

DRAWING NOT TO SCALE ALL DIMENSIONS ARE NOMINAL
PRODUCT PROTECTED BY ONE OR MORE US PATENTS LEGAL NOTICE

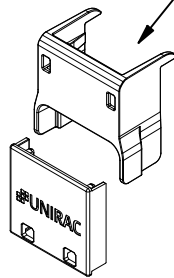
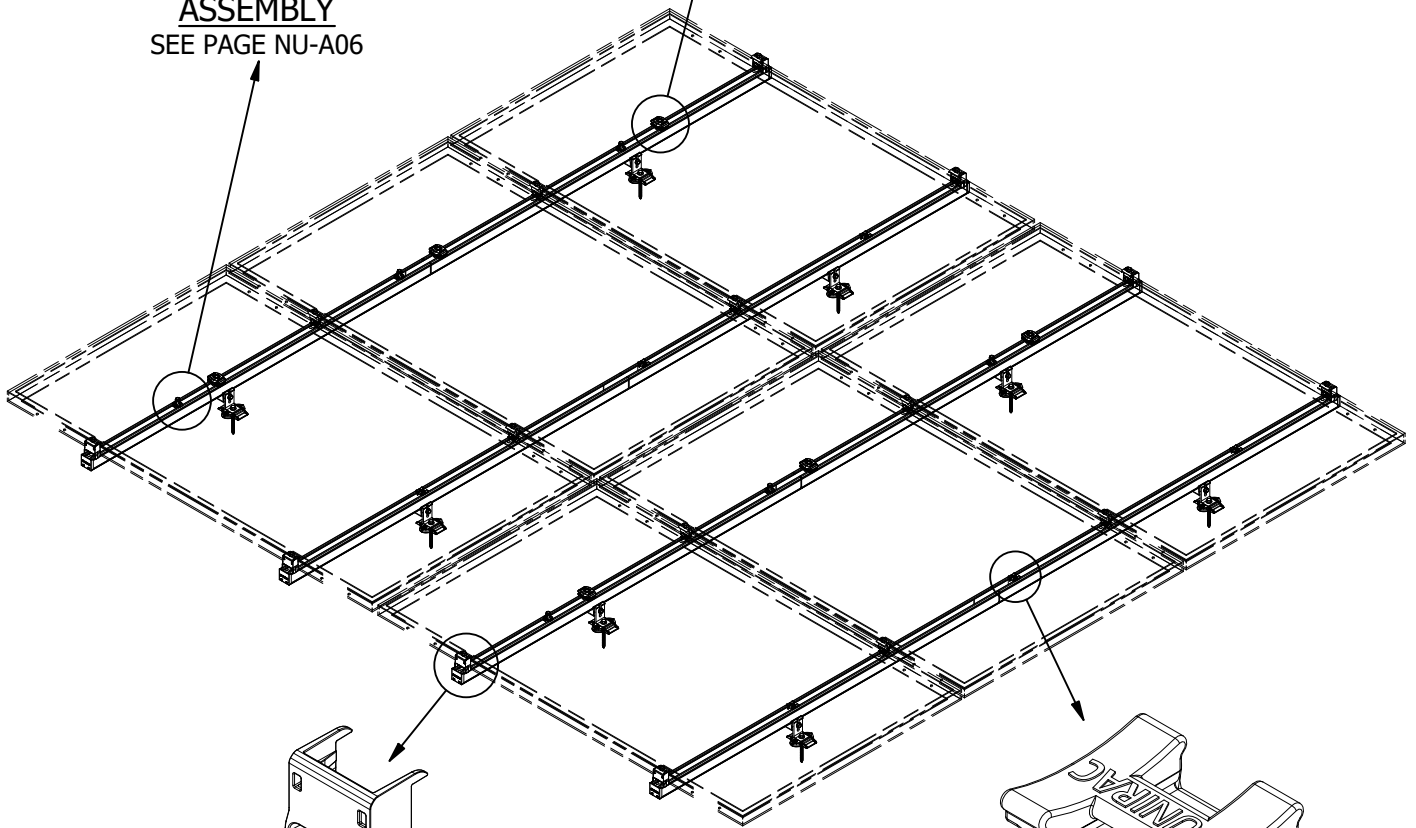
NU-A01
SHEET



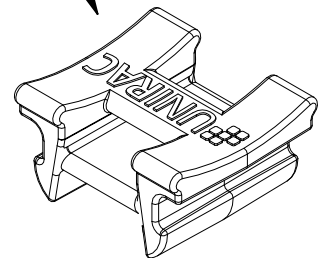
MLPE & GROUNDING ASSEMBLY
SEE PAGE NU-A06



NS WIRE MGMT CLIP
SEE PAGE NU-A07



RAIL & CLAMP CAP KIT
SEE PAGE NU-A09



WIRE MGMT CLIP
SEE PAGE NU-A08



1411 BROADWAY BLVD. NE
ALBUQUERQUE, NM 87102 USA
PHONE: 505.242.6411
WWW.UNIRAC.COM

PRODUCT LINE:	NXT UMount
DRAWING TYPE:	PART & ASSEMBLY
DESCRIPTION:	MODULE ASSEMBLY
REVISION DATE:	2/29/2024

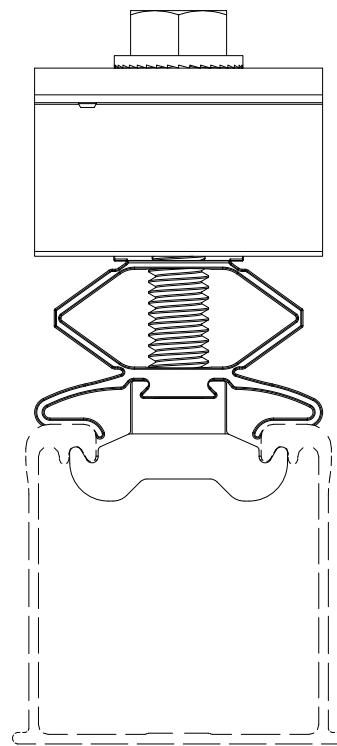
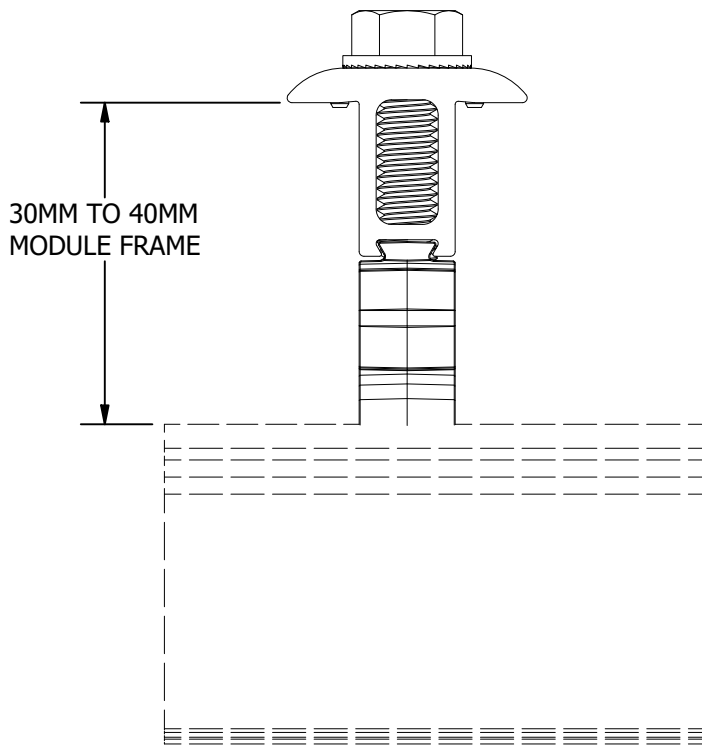
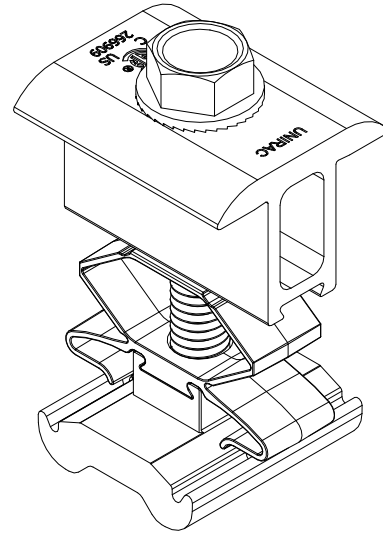
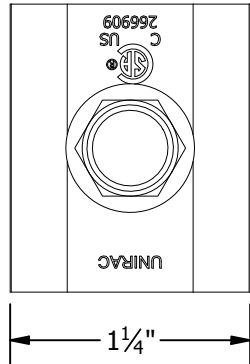
DRAWING NOT TO SCALE
ALL DIMENSIONS ARE
NOMINAL

PRODUCT PROTECTED BY
ONE OR MORE US PATENTS
LEGAL NOTICE

NU-A02

SHEET

PART # TABLE	
P/N	DESCRIPTION
CCLAMP1	NXT COMBO CLAMP - MILL
CCLAMPD1	NXT COMBO CLAMP - DARK



1411 BROADWAY BLVD. NE
 ALBUQUERQUE, NM 87102 USA
 PHONE: 505.242.6411
 WWW.UNIRAC.COM

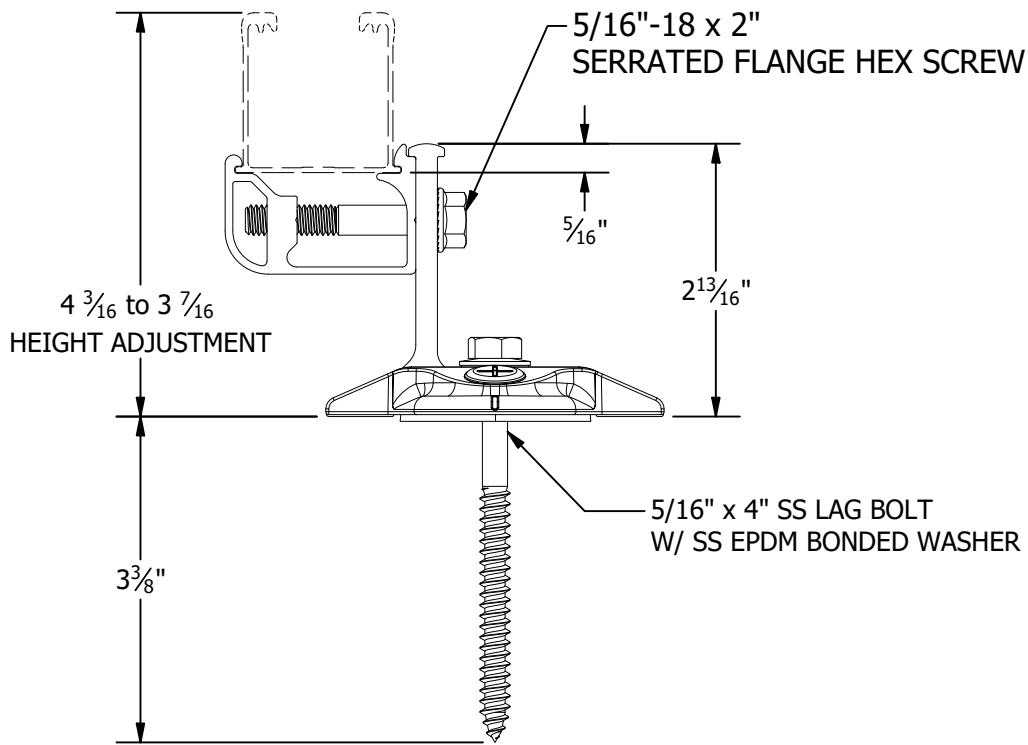
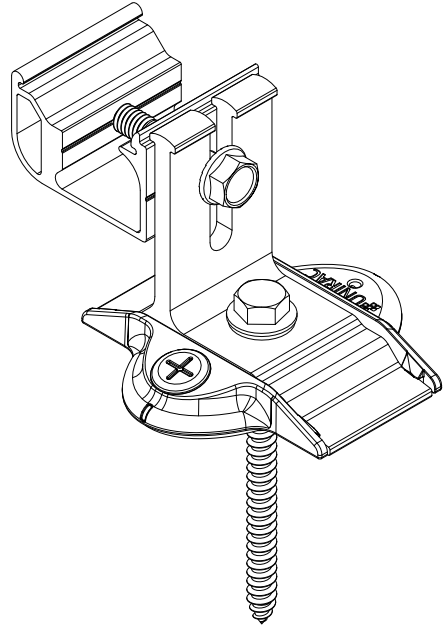
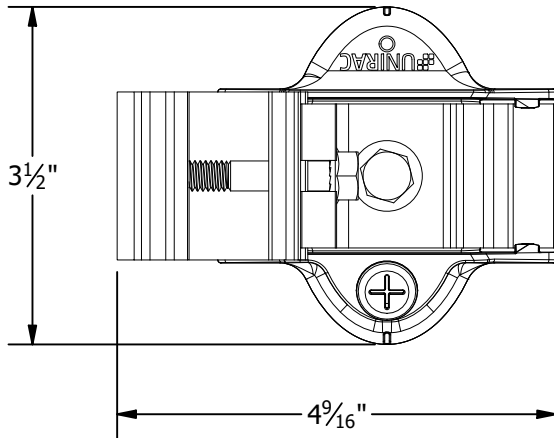
PRODUCT LINE:	NXT UMount
DRAWING TYPE:	PART & ASSEMBLY
DESCRIPTION:	COMBO CLAMP
REVISION DATE:	2/29/2024

DRAWING NOT TO SCALE
 ALL DIMENSIONS ARE
 NOMINAL

PRODUCT PROTECTED BY
 ONE OR MORE US PATENTS
 LEGAL NOTICE

NU-A03
 SHEET

PART # TABLE	
P/N	DESCRIPTION
SHCPKTM1	STRONGHOLD ATT KIT COMP MILL
SHCPKTD1	STRONGHOLD ATT KIT COMP DRK
SHCPKTM1-NS	STRONGHOLD ATT COMP MILL (NS)
SHCPKTD1-NS	STRONGHOLD ATT COMP DRK (NS)



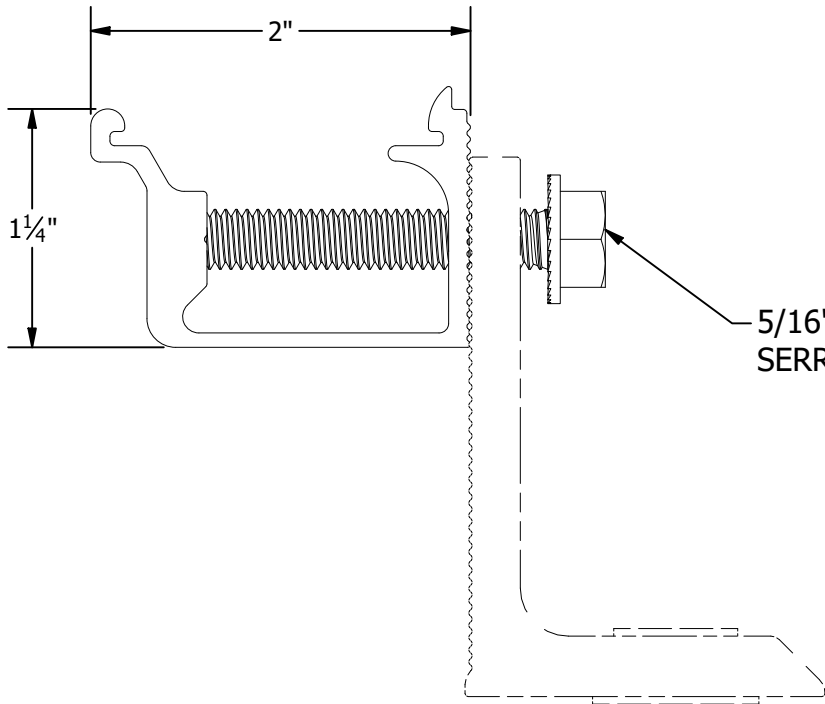
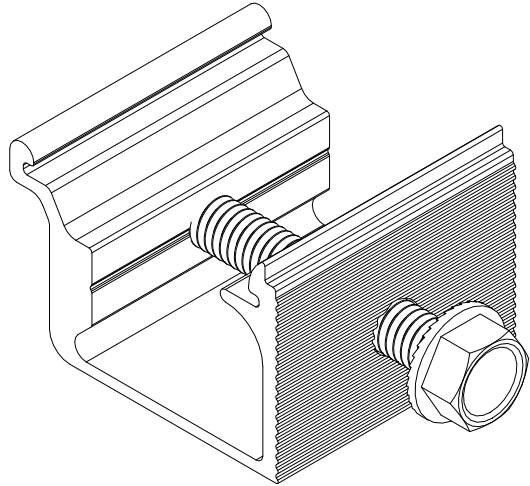
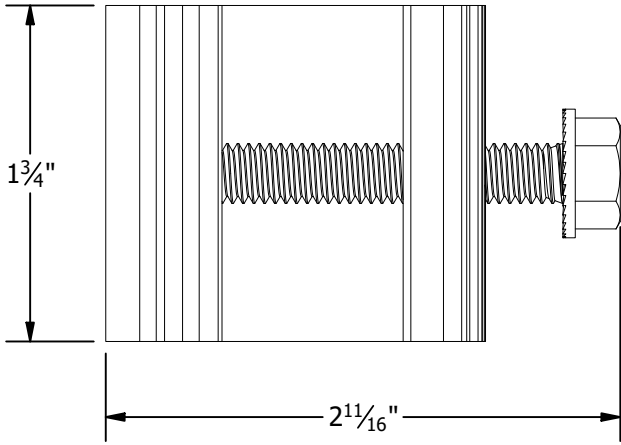
UNIRAC
 1411 BROADWAY BLVD. NE
 ALBUQUERQUE, NM 87102 USA
 PHONE: 505.242.6411
 WWW.UNIRAC.COM

PRODUCT LINE:	NXT UMount
DRAWING TYPE:	PARTS ASSEMBLY
DESCRIPTION:	STRONGHOLD ATTACHMENT
REVISION DATE:	11/17/2022

DRAWING NOT TO SCALE ALL DIMENSIONS ARE NOMINAL
PRODUCT PROTECTED BY ONE OR MORE US PATENTS LEGAL NOTICE

NU-A04
SHEET

PART # TABLE	
P/N	DESCRIPTION
SHCLMPM2	STRONGHOLD RAIL CLAMP, MILL
SHCLMPD2	STRONGHOLD RAIL CLAMP, DARK



5/16"-18 x 2"
SERRATED FLANGE HEX SCREW



1411 BROADWAY BLVD. NE
ALBUQUERQUE, NM 87102 USA
PHONE: 505.242.6411
WWW.UNIRAC.COM

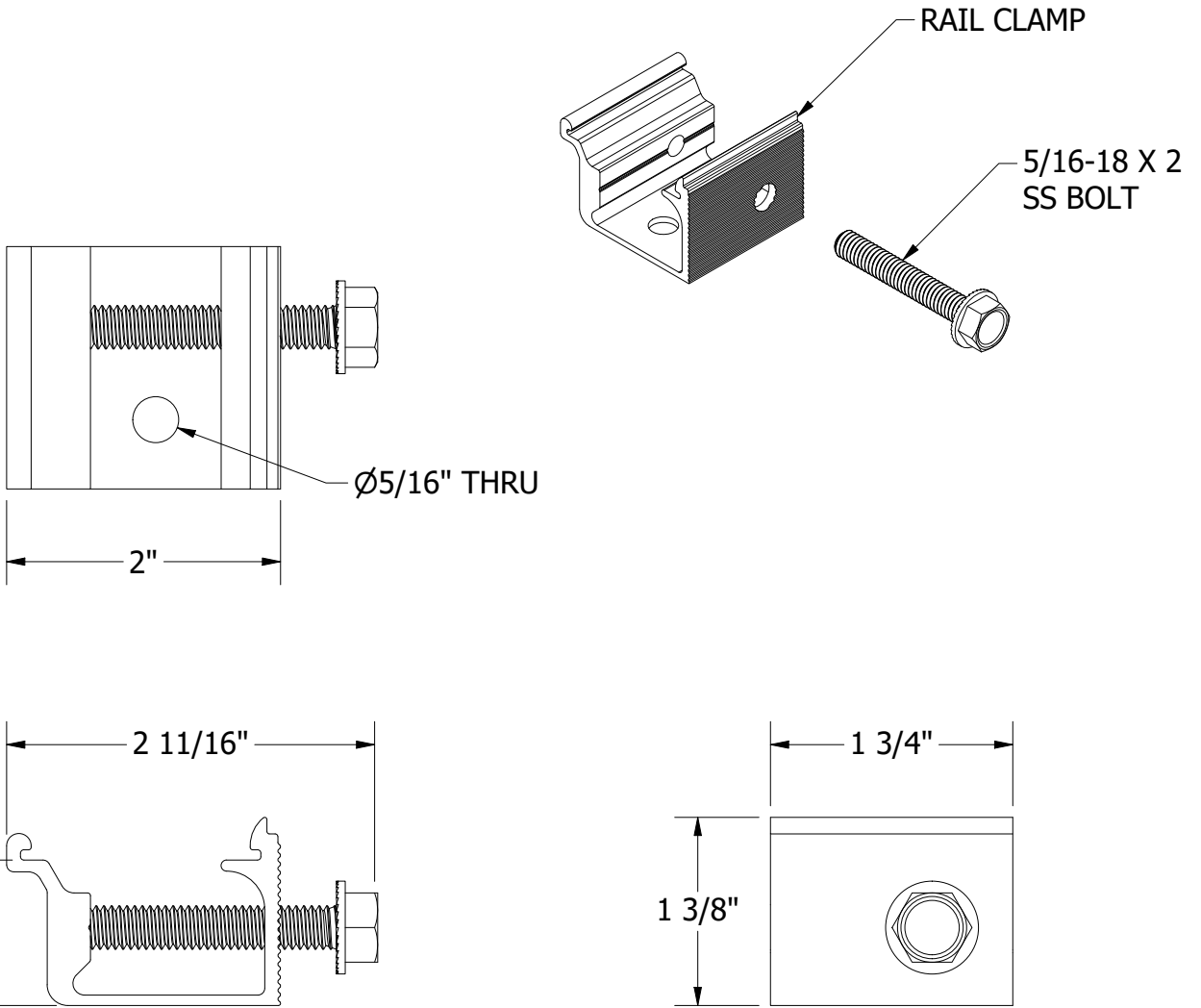
PRODUCT LINE:	NXT UMount
DRAWING TYPE:	PARTS ASSEMBLY
DESCRIPTION:	STRONGHOLD RAIL CLAMP
REVISION DATE:	2/29/2024

DRAWING NOT TO SCALE
ALL DIMENSIONS ARE
NOMINAL

PRODUCT PROTECTED BY
ONE OR MORE US PATENTS
LEGAL NOTICE

NU-A05
SHEET

PART # TABLE	
P/N	DESCRIPTION
NUMTLCLMPM	NXT RAIL CLAMP, METAL ROOF, MILL
NUMTLCLMPD	NXT RAIL CLAMP, METAL ROOF, DARK



1411 BROADWAY BLVD. NE
 ALBUQUERQUE, NM 87102 USA
 PHONE: 505.242.6411
 WWW.UNIRAC.COM

PRODUCT LINE:	NXT UMount
DRAWING TYPE:	ASSEMBLY
DESCRIPTION:	METAL ROOF CLAMP
REVISION DATE:	8/16/2024

DRAWING NOT TO SCALE
 ALL DIMENSIONS ARE
 NOMINAL

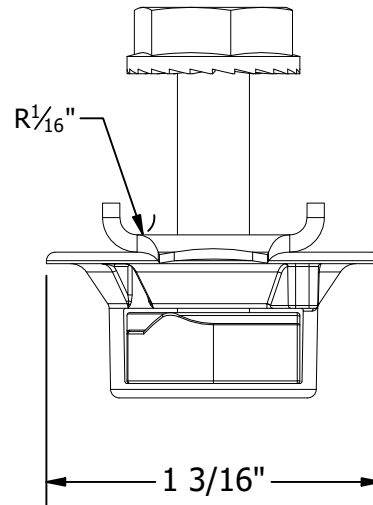
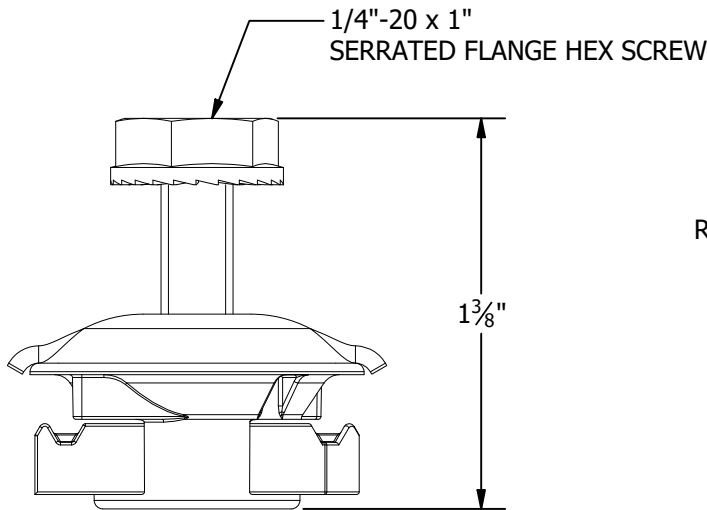
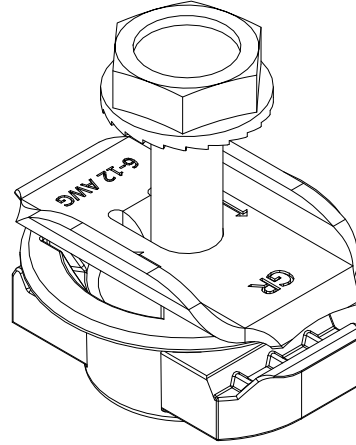
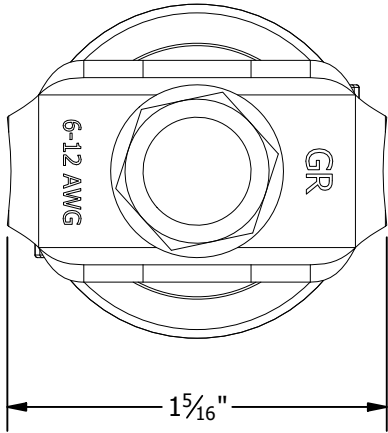
PRODUCT PROTECTED BY
 ONE OR MORE US PATENTS

LEGAL NOTICE

NU-A14

SHEET

PART # TABLE	
P/N	DESCRIPTION
NULGMLP1	NXT MLPE & GROUNDING ASSEMBLY



1411 BROADWAY BLVD. NE
 ALBUQUERQUE, NM 87102 USA
 PHONE: 505.242.6411
 WWW.UNIRAC.COM

PRODUCT LINE:	NXT UMount
DRAWING TYPE:	PARTS ASSEMBLY
DESCRIPTION:	MLPE & LUG CLAMP
REVISION DATE:	2/29/2024

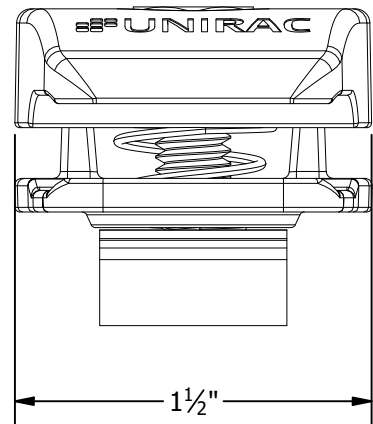
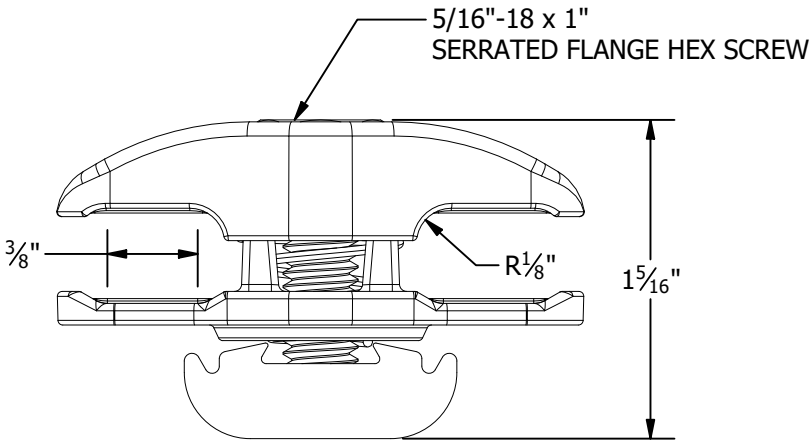
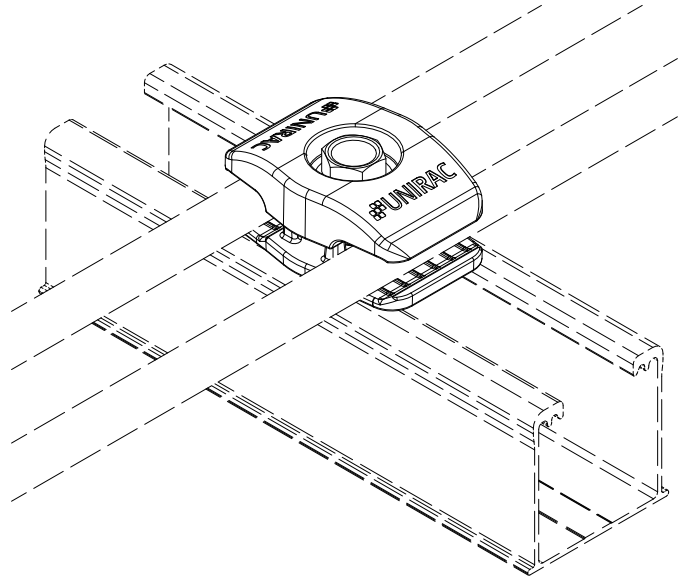
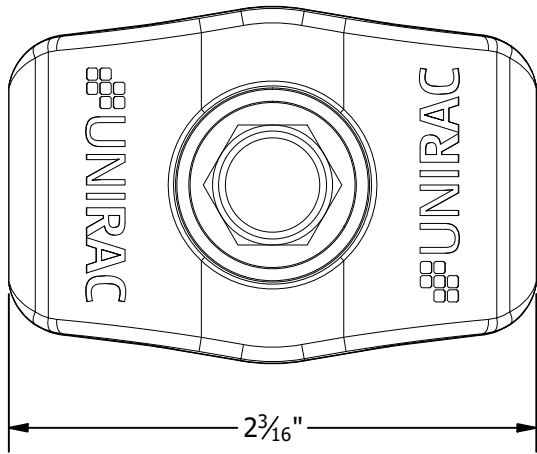
DRAWING NOT TO SCALE
 ALL DIMENSIONS ARE
 NOMINAL

PRODUCT PROTECTED BY
 ONE OR MORE US PATENTS
 LEGAL NOTICE

NU-A06

SHEET

PART # TABLE	
P/N	DESCRIPTION
WRMCNSD1	NXT UMount NS WIRE MGMT CLIP



UNIRAC[®]
 1411 BROADWAY BLVD. NE
 ALBUQUERQUE, NM 87102 USA
 PHONE: 505.242.6411
 WWW.UNIRAC.COM

PRODUCT LINE:	NXT UMount
DRAWING TYPE:	PARTS ASSEMBLY
DESCRIPTION:	NS WIRE MGMT CLIP
REVISION DATE:	11/17/2022

DRAWING NOT TO SCALE
 ALL DIMENSIONS ARE
 NOMINAL

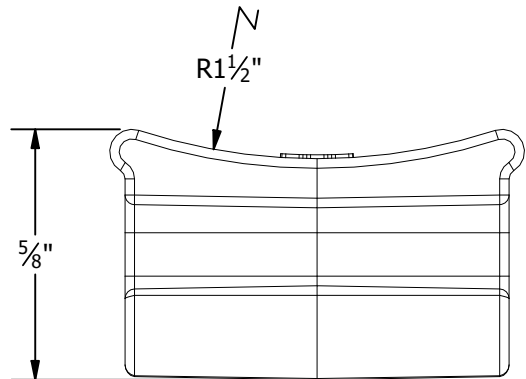
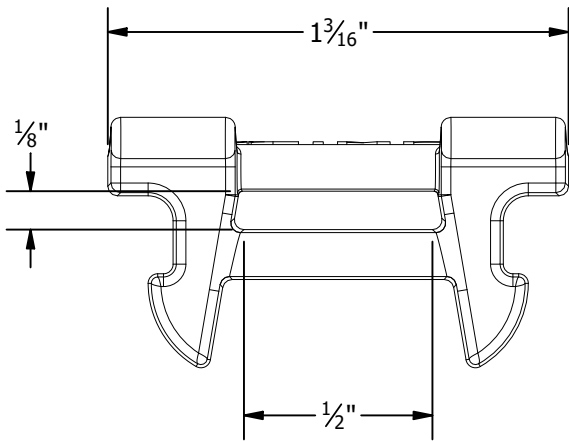
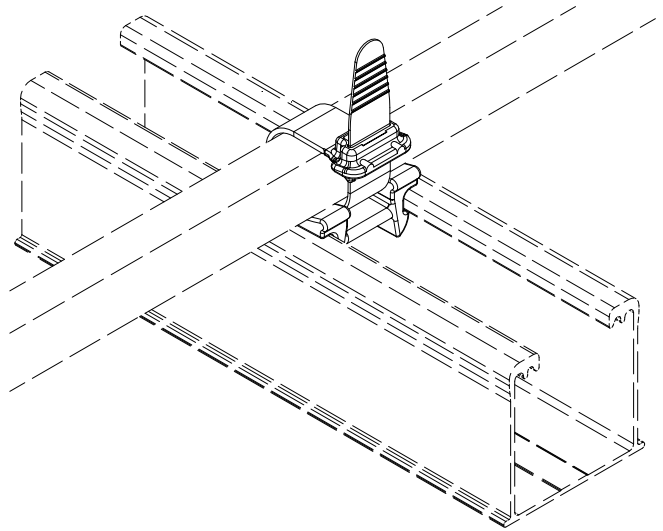
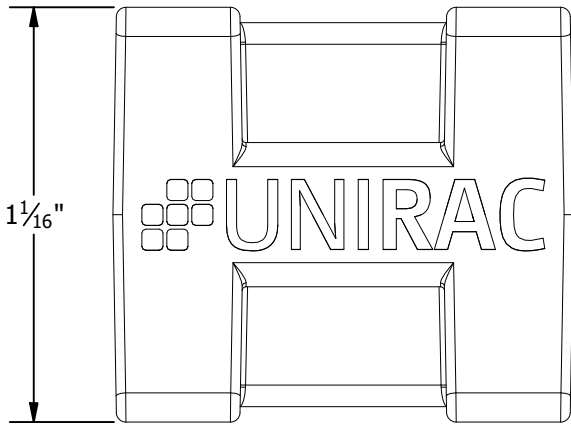
PRODUCT PROTECTED BY
 ONE OR MORE US PATENTS

LEGAL NOTICE

NU-A07

SHEET

PART # TABLE	
P/N	DESCRIPTION
WRMCLPD1	NXT UMount WIRE MGMT CLIP



1411 BROADWAY BLVD. NE
 ALBUQUERQUE, NM 87102 USA
 PHONE: 505.242.6411
 WWW.UNIRAC.COM

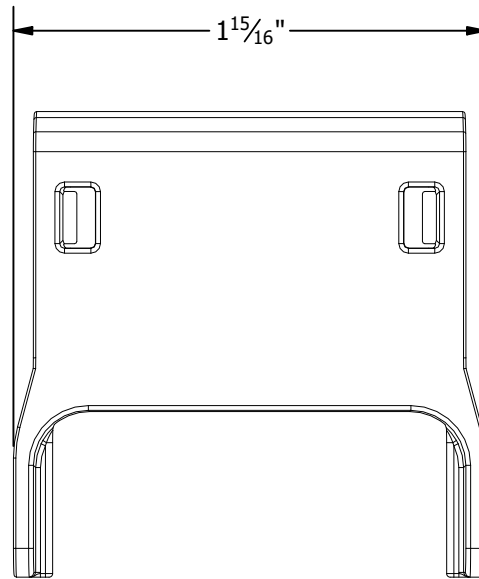
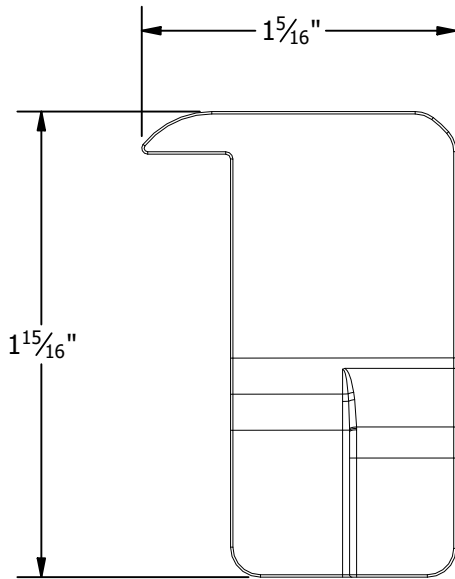
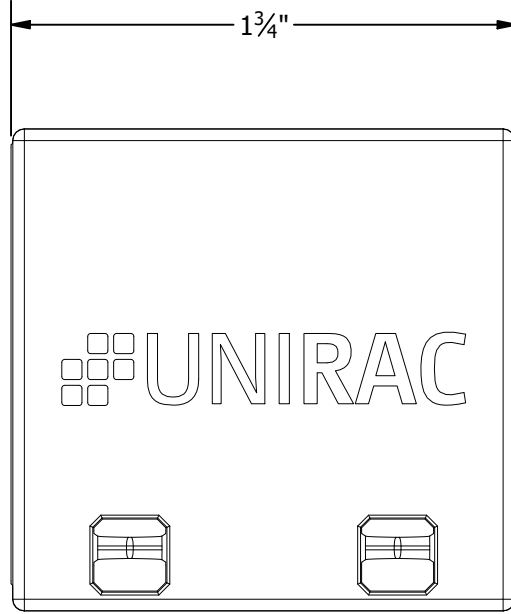
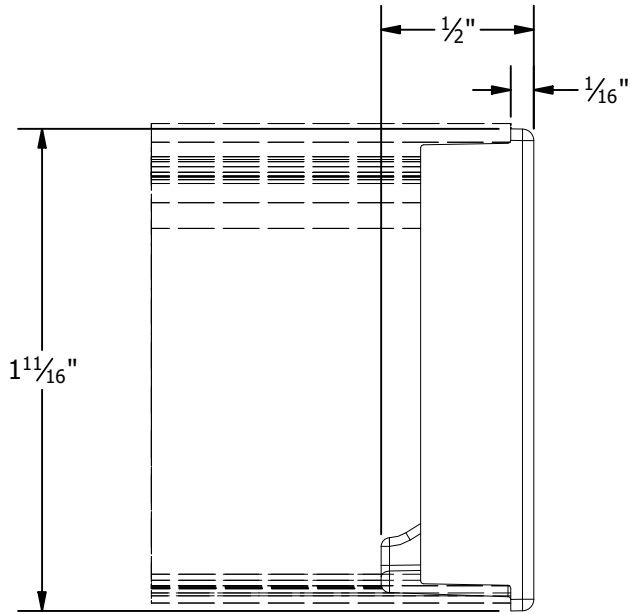
PRODUCT LINE:	NXT UMount
DRAWING TYPE:	PARTS
DESCRIPTION:	WIRE MGMT CLIP
REVISION DATE:	11/17/2022

DRAWING NOT TO SCALE
 ALL DIMENSIONS ARE
 NOMINAL

PRODUCT PROTECTED BY
 ONE OR MORE US PATENTS
 LEGAL NOTICE

NU-A08
 SHEET

PART # TABLE	
P/N	DESCRIPTION
ENDCAPD1	NXT UMount RL & CLMP CAP KIT



1411 BROADWAY BLVD. NE
 ALBUQUERQUE, NM 87102 USA
 PHONE: 505.242.6411
 WWW.UNIRAC.COM

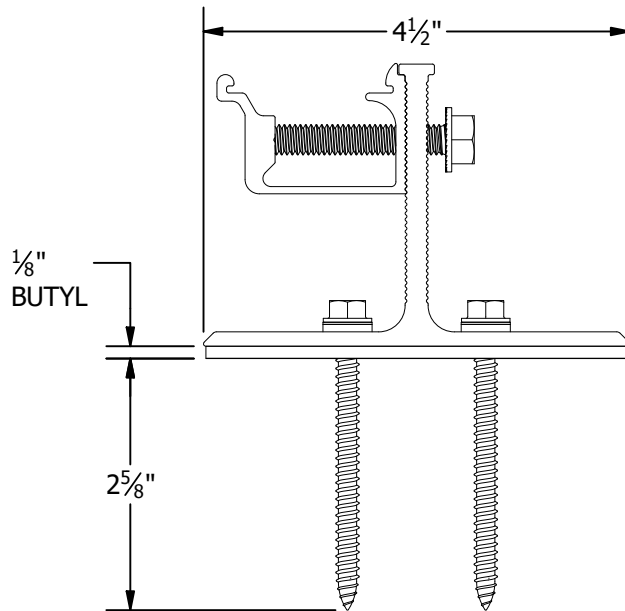
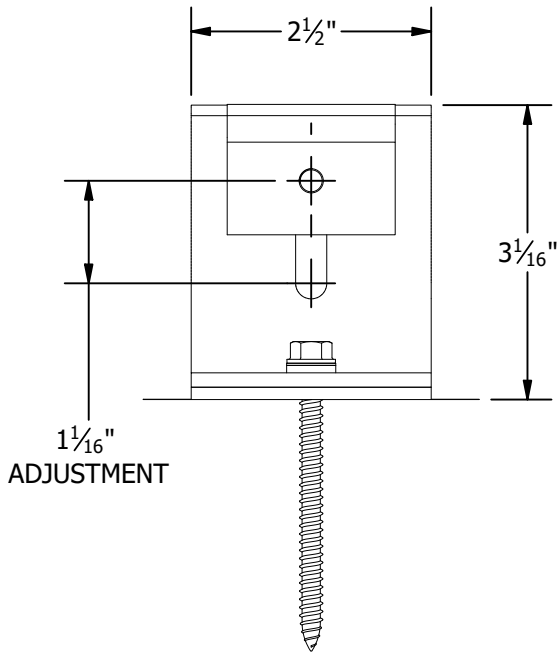
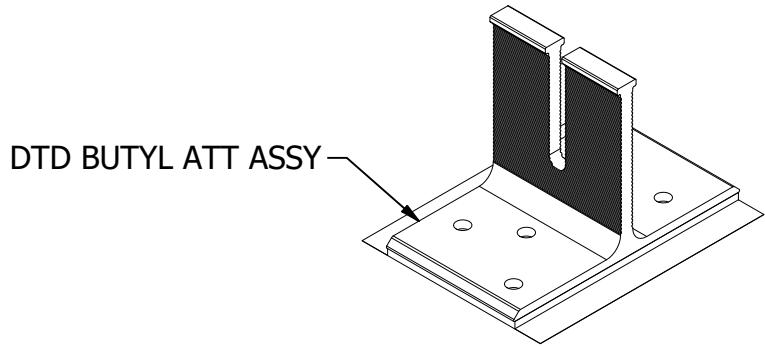
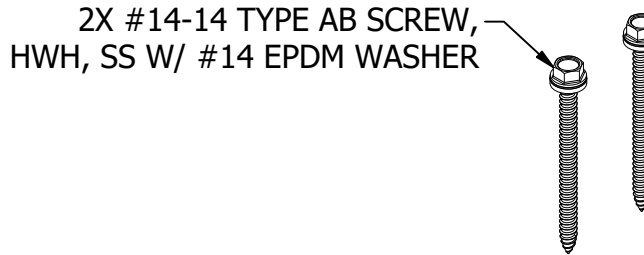
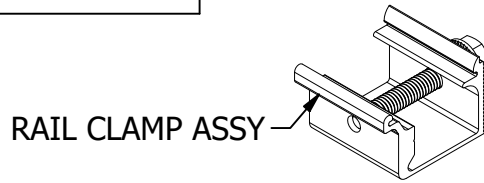
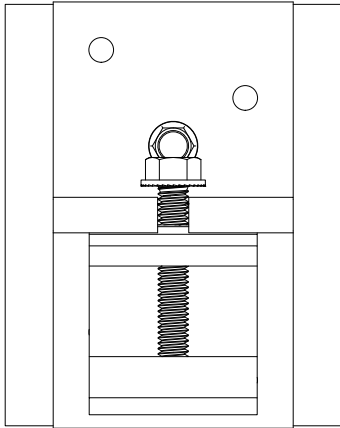
PRODUCT LINE:	NXT UMount
DRAWING TYPE:	PARTS
DESCRIPTION:	RAIL & CLAMP CAP
REVISION DATE:	2/29/2024

DRAWING NOT TO SCALE
 ALL DIMENSIONS ARE
 NOMINAL

PRODUCT PROTECTED BY
 ONE OR MORE US PATENTS
 LEGAL NOTICE

NU-A09
 SHEET

PART # TABLE	
P/N	DESCRIPTION
SHBUTYLM2	STRONGHOLD BUTYL ATT KIT #14S MILL
SHBUTYLD2	STRONGHOLD BUTYL ATT KIT #14S DARK



1411 BROADWAY BLVD. NE
 ALBUQUERQUE, NM 87102 USA
 PHONE: 505.242.6411
 WWW.UNIRAC.COM

PRODUCT LINE: NXT UMount

DRAWING TYPE: PARTS

DESCRIPTION: SH BUTYL ATTACHMENT

REVISION DATE: 7/14/2023

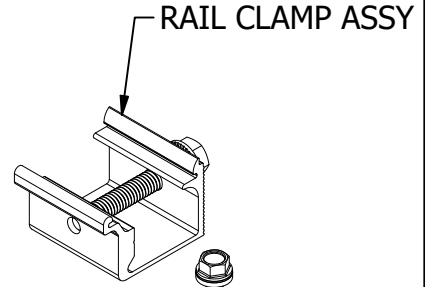
DRAWING NOT TO SCALE
 ALL DIMENSIONS ARE
 NOMINAL

PRODUCT PROTECTED BY
 ONE OR MORE US PATENTS
 LEGAL NOTICE

NU-A10-1

SHEET

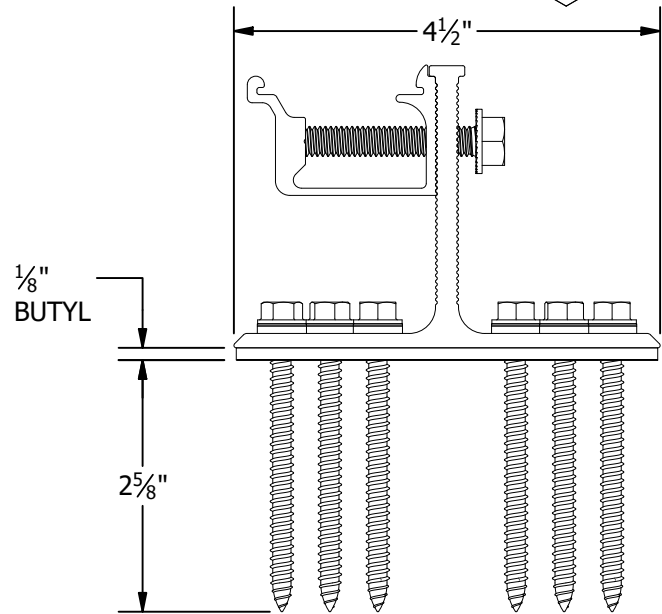
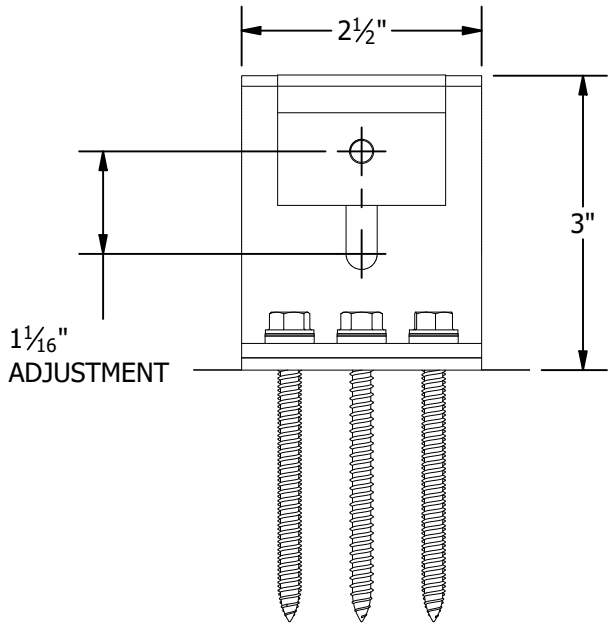
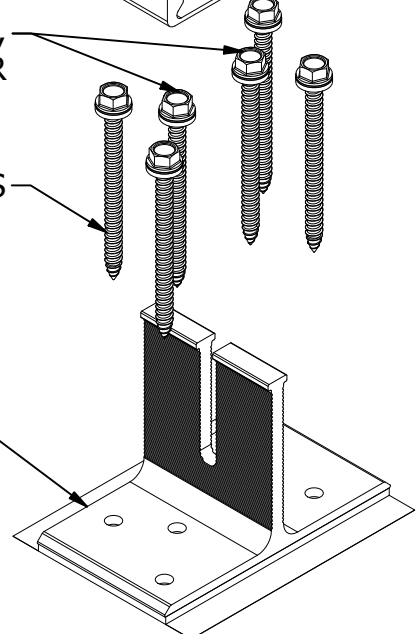
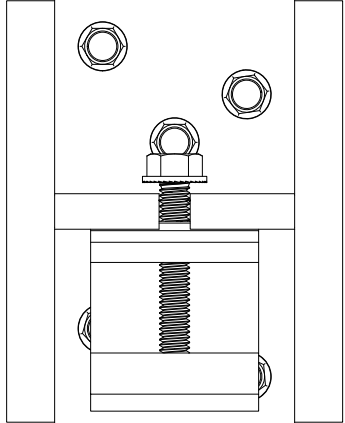
PART # TABLE	
P/N	DESCRIPTION
SHBUTYLM2	STRONGHOLD BUTYL ATT KIT #14S MILL
SHBUTYLD2	STRONGHOLD BUTYL ATT KIT #14S DARK
003251W	DTD #14-14 X 3.0 TYPE AB



2X #14-14 TYPE AB SCREW,
HWH, SS W/ #14 EPDM WASHER

4X OPTIONAL SCREWS

DTD BUTYL ASSY



SHOWN WITH ADDITIONAL SCREWS FOR DTD;
OPTIONAL SCREWS NOT INCLUDED IN ATTACHMENT KIT;

UNIRAC[®]

1411 BROADWAY BLVD. NE
ALBUQUERQUE, NM 87102 USA
PHONE: 505.242.6411
WWW.UNIRAC.COM

PRODUCT LINE:	NXT UMount
DRAWING TYPE:	PARTS
DESCRIPTION:	SH BUTYL ATTACHMENT
REVISION DATE:	2/29/2024

DRAWING NOT TO SCALE
ALL DIMENSIONS ARE
NOMINAL

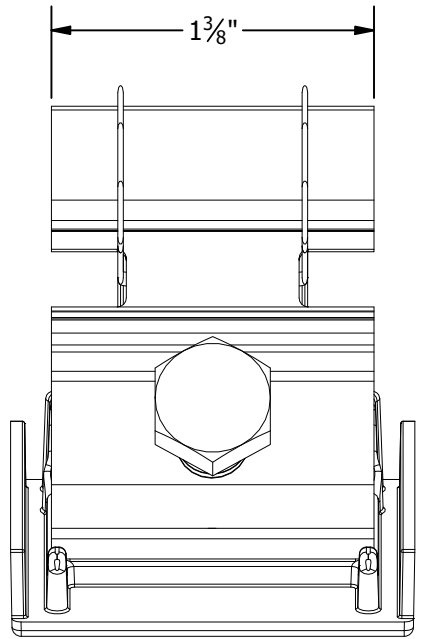
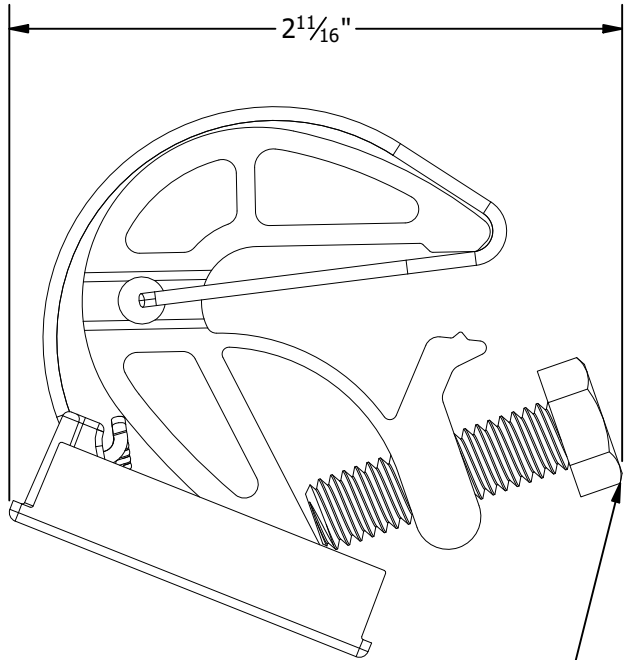
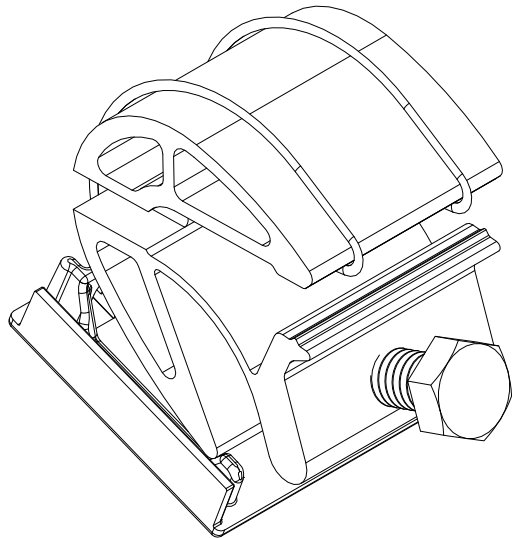
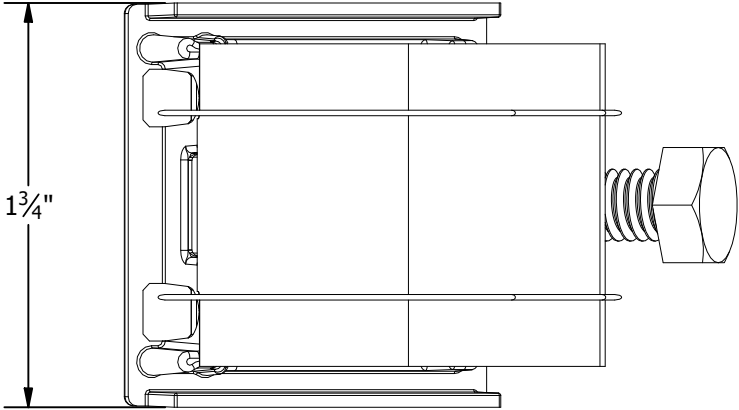
PRODUCT PROTECTED BY
ONE OR MORE US PATENTS

LEGAL NOTICE

NU-A10-2

SHEET

PART # TABLE	
P/N	DESCRIPTION
NUHECLMP1	NXT HIDDEN END CLAMP W/CAP



5/16"-18 x 1.125", BOLT, HEX SS

UNIRAC[®]
 1411 BROADWAY BLVD. NE
 ALBUQUERQUE, NM 87102 USA
 PHONE: 505.242.6411
 WWW.UNIRAC.COM

PRODUCT LINE:	NXT UMount
DRAWING TYPE:	PART DETAIL
DESCRIPTION:	HIDDEN END CLAMP
REVISION DATE:	8/24/2023

DRAWING NOT TO SCALE
 ALL DIMENSIONS ARE
 NOMINAL

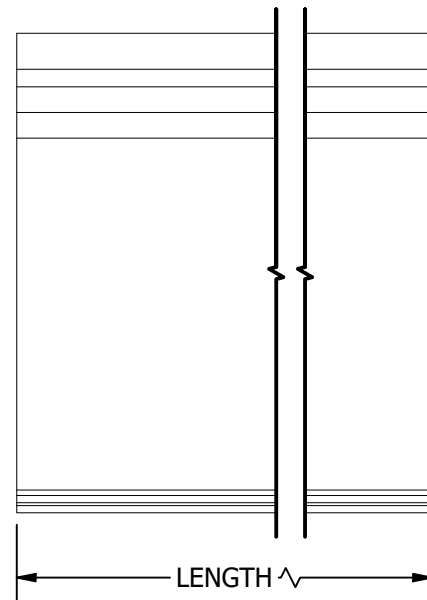
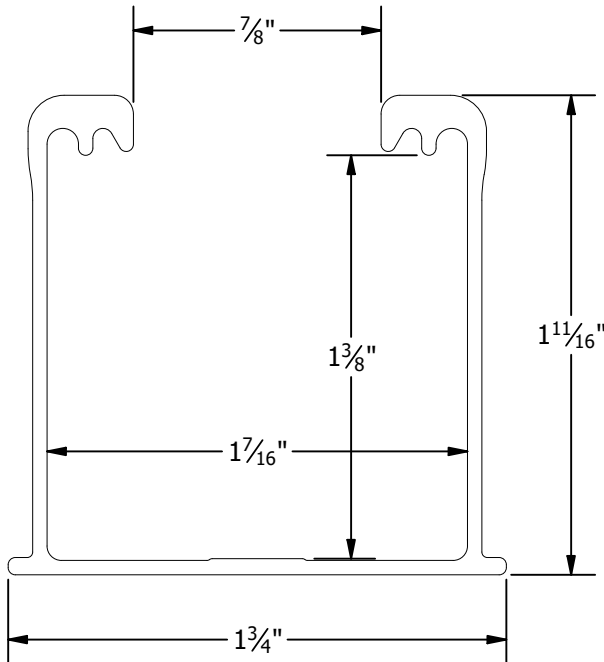
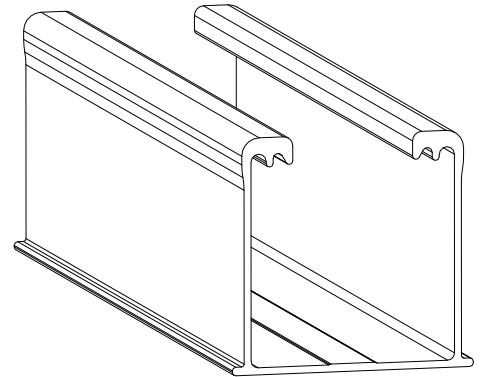
PRODUCT PROTECTED BY
 ONE OR MORE US PATENTS

LEGAL NOTICE

NU-A12

SHEET

PART # TABLE		
P/N	DESCRIPTION	LENGTH
084RLM1	NXT UMOUNT RAIL 84" MILL	84"
084RLD1	NXT UMOUNT RAIL 84" DARK	84"
168RLM1	NXT UMOUNT RAIL 168" MILL	168"
168RLD1	NXT UMOUNT RAIL 168" DARK	168"
208RLM1	NXT UMOUNT RAIL 208" MILL	208"
208RLD1	NXT UMOUNT RAIL 208" DARK	208"
246RLM1	NXT UMOUNT RAIL 246" MILL	246"
246RLD1	NXT UMOUNT RAIL 246" DARK	246"
171RLM1	NXT UMOUNT RAIL 171" MILL	171.50"
171RLD1	NXT UMOUNT RAIL 171" DARK	171.50"
096RLM1	NXT UMOUNT RAIL 96" MILL	96"
096RLD1	NXT UMOUNT RAIL 96" DARK	96"
185RLM1	NXT UMOUNT RAIL 185" MILL	185"
185RLD1	NXT UMOUNT RAIL 185" DARK	185"



1411 BROADWAY BLVD. NE
 ALBUQUERQUE, NM 87102 USA
 PHONE: 505.242.6411
 WWW.UNIRAC.COM

PRODUCT LINE:	NXT UMOUNT
DRAWING TYPE:	PART DETAIL
DESCRIPTION:	RAIL
REVISION DATE:	2/29/2024

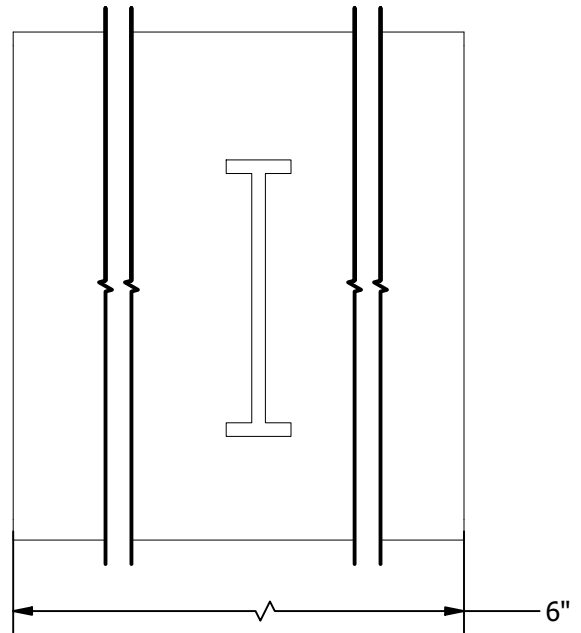
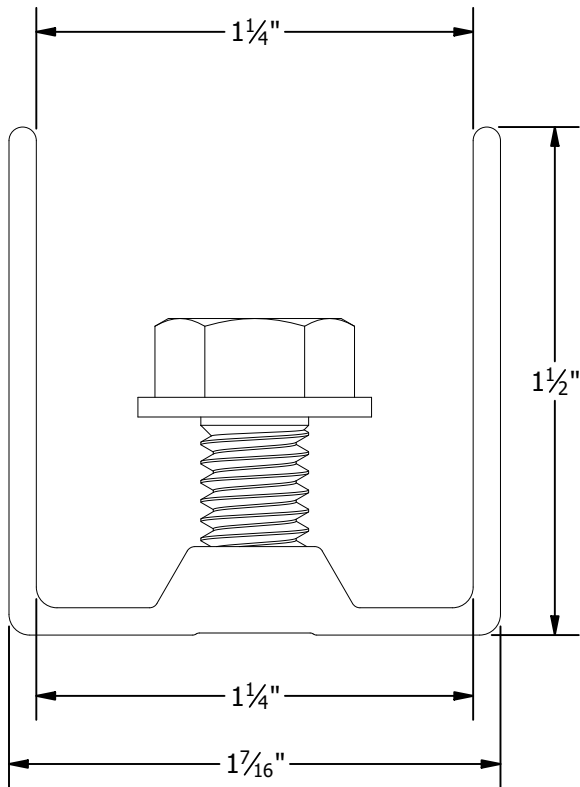
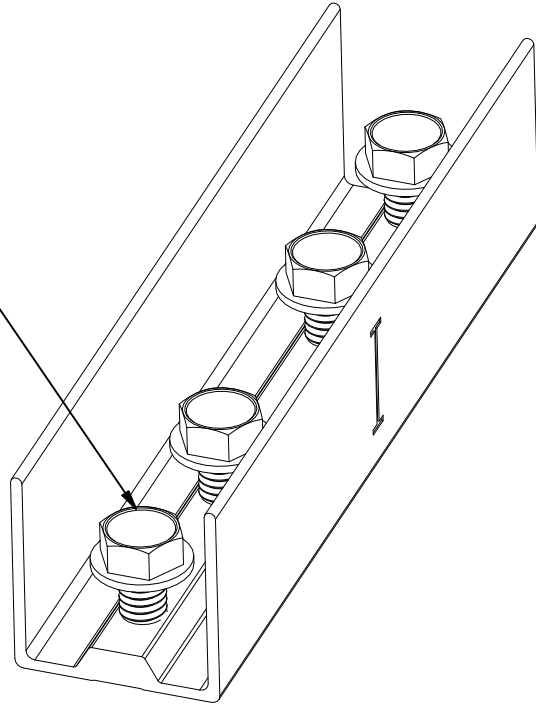
DRAWING NOT TO SCALE
 ALL DIMENSIONS ARE
 NOMINAL

PRODUCT PROTECTED BY
 ONE OR MORE US PATENTS
 LEGAL NOTICE

NU-P01
 SHEET

PART # TABLE		
P/N	DESCRIPTION	LENGTH
RLSPLCM2	NXT UMOUNT RAIL SPLICE	6"

4X - 5/16"-18 x 5/8"
HEX FLANGE SCREW - TYPE F



1411 BROADWAY BLVD. NE
ALBUQUERQUE, NM 87102 USA
PHONE: 505.242.6411
WWW.UNIRAC.COM

PRODUCT LINE: NXT UMOUNT

DRAWING TYPE: PART DETAIL

DESCRIPTION: RAIL SPLICE

REVISION DATE: 8/24/2023

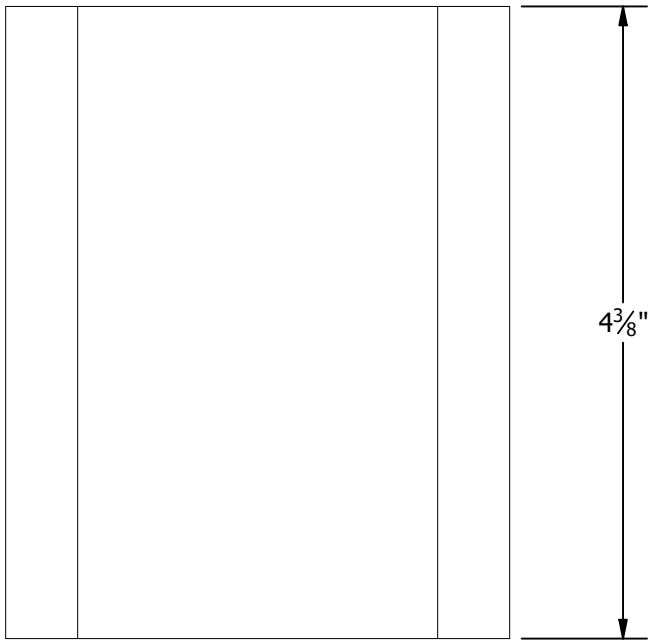
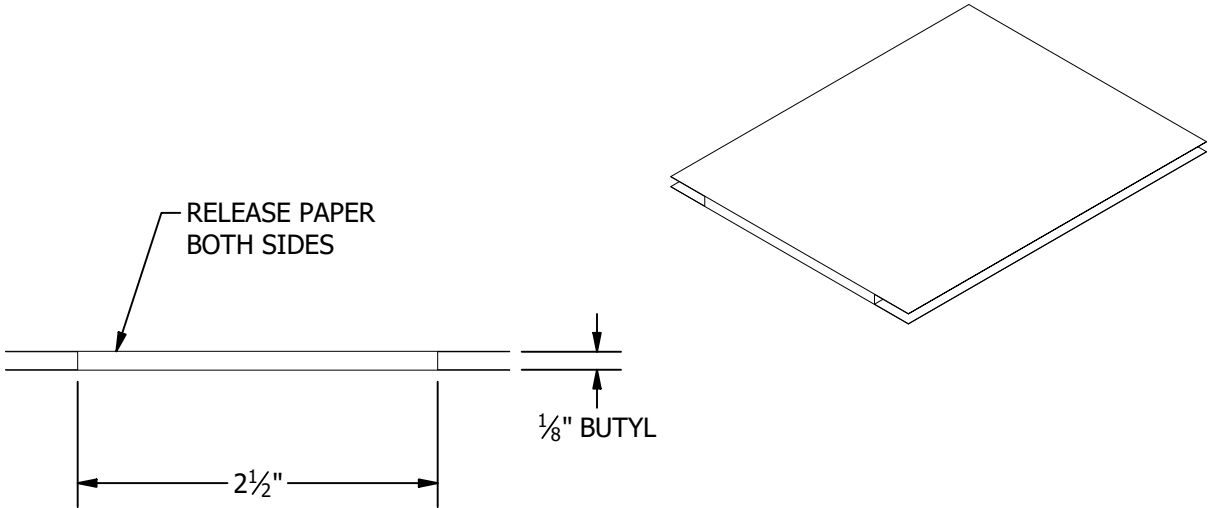
DRAWING NOT TO SCALE
ALL DIMENSIONS ARE
NOMINAL

PRODUCT PROTECTED BY
ONE OR MORE US PATENTS
LEGAL NOTICE

NU-P02

SHEET

PART # TABLE	
P/N	DESCRIPTION
XTRABUTL-SH	EXTRA BUTYL PAD - SH KIT



UNIRAC[®]

1411 BROADWAY BLVD. NE
ALBUQUERQUE, NM 87102 USA
PHONE: 505.242.6411
WWW.UNIRAC.COM

PRODUCT LINE:	NXT UMount
DRAWING TYPE:	PARTS
DESCRIPTION:	BUTYL PAD
REVISION DATE:	1/10/2023

DRAWING NOT TO SCALE
ALL DIMENSIONS ARE
NOMINAL

PRODUCT PROTECTED BY
ONE OR MORE US PATENTS

LEGAL NOTICE

NU-P03

SHEET