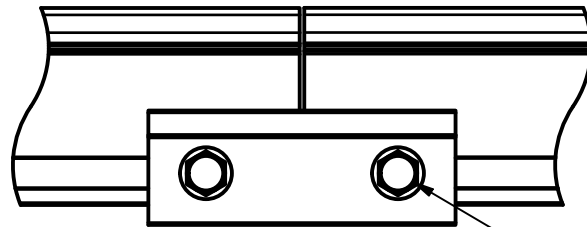
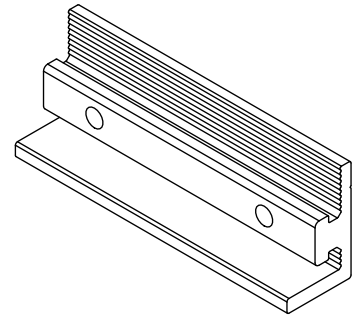
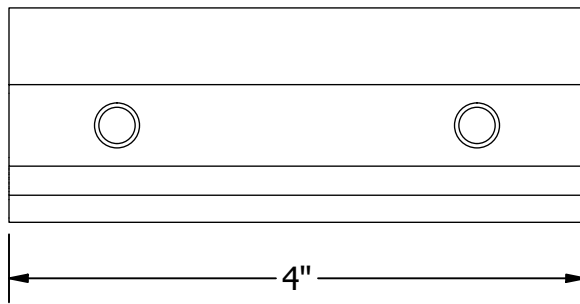
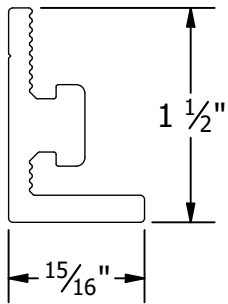
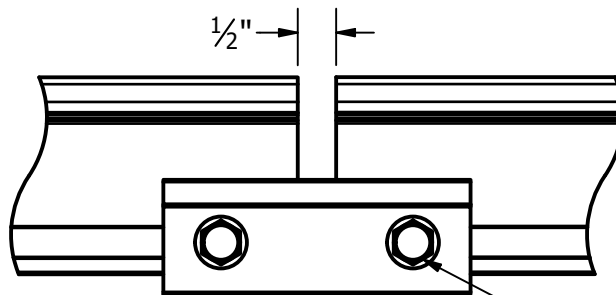


## BONDING SPLICE BAR



5/16"-18 TYPE F THREAD  
CUTTING SCREWS INCLUDED

TYPICAL SPLICE BAR DETAIL



NOTE THAT ONLY 2 SCREWS ARE  
USED AT AN EXPANSION JOINT.  
THE SPLICE BAR DOES NOT BOND  
ACROSS AN EXPANSION JOINT.  
SEE INSTALLATION GUIDE FOR  
INSTRUCTION.

TYPICAL EXPANSION JOINT DETAIL

PART # TABLE

P/N	DESCRIPTION
303019M	BND SPLICE BAR PRO SERIES MILL
303019D	BND SPLICE BAR PRO SERIES DRK



1411 BROADWAY BLVD. NE  
ALBUQUERQUE, NM 87102 USA  
PHONE: 505.242.6411  
WWW.UNIRAC.COM

PRODUCT LINE:	SOLARMOUNT
DRAWING TYPE:	PART & ASSEMBLY
DESCRIPTION:	BONDING SPLICE BAR PRO SERIES
REVISION DATE:	8/23/2018

DRAWING NOT TO SCALE  
ALL DIMENSIONS ARE  
NOMINAL

PRODUCT PROTECTED BY  
ONE OR MORE US PATENTS  
LEGAL NOTICE

**SM-A05**

SHEET