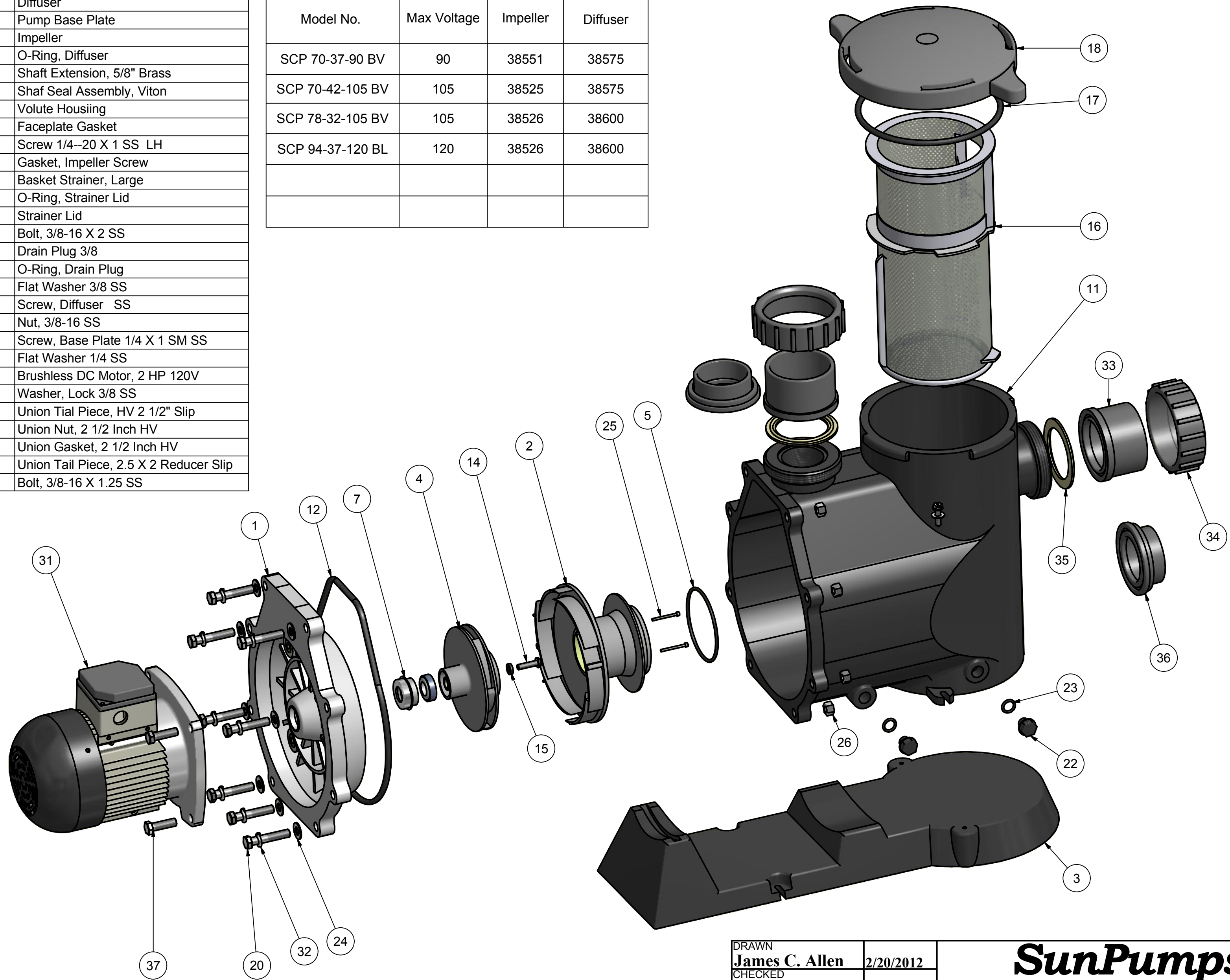


Parts List			
ITEM	QTY	PART NUMBER	DESCRIPTION
1	1	38225	Volute Faceplate
2	1	(See Chart)	Diffuser
3	1	38400	Pump Base Plate
4	1	(See Chart)	Impeller
5	1	38855	O-Ring, Diffuser
6	1	38740	Shaft Extension, 5/8" Brass
7	1	28540	Shaf Seal Assembly, Viton
11	1	38200	Volute Housiing
12	1	38250	Faceplate Gasket
14	1	38425	Screw 1/4--20 X 1 SS LH
15	1	38450	Gasket, Impeller Screw
16	1	38275	Basket Strainer, Large
17	1	38875	O-Ring, Strainer Lid
18	1	38300	Strainer Lid
20	8	19710	Bolt, 3/8-16 X 2 SS
22	2	38467	Drain Plug 3/8
23	2	38876	O-Ring, Drain Plug
24	8	21925	Flat Washer 3/8 SS
25	2	38430	Screw, Diffuser SS
26	8	20075	Nut, 3/8-16 SS
27	2	38435	Screw, Base Plate 1/4 X 1 SM SS
28	2	21825	Flat Washer 1/4 SS
31	1	26580	Brushless DC Motor, 2 HP 120V
32	8	21975	Washer, Lock 3/8 SS
33	2	38614	Union Tial Piece, HV 2 1/2" Slip
34	2	38602	Union Nut, 2 1/2 Inch HV
35	2	38618	Union Gasket, 2 1/2 Inch HV
36	2	38616	Union Tail Piece, 2.5 X 2 Reducer Slip
37	4	19625	Bolt, 3/8-16 X 1.25 SS

Impeller & Diffuser Chart			
Model No.	Max Voltage	Impeller	Diffuser
SCP 70-37-90 BV	90	38551	38575
SCP 70-42-105 BV	105	38525	38575
SCP 78-32-105 BV	105	38526	38600
SCP 94-37-120 BL	120	38526	38600



120 Volt Brushless DC Motor

DRAWN James C. Allen	2/20/2012	SunPumps	
CHECKED			
QA		TITLE	
MFG		SCP- High Flow- Exploded View 120V	
APPROVED		SIZE	DWG NO
		C	EV-120V-BLS-HV
		SCALE	REV
		SHEET 4 OF 5	