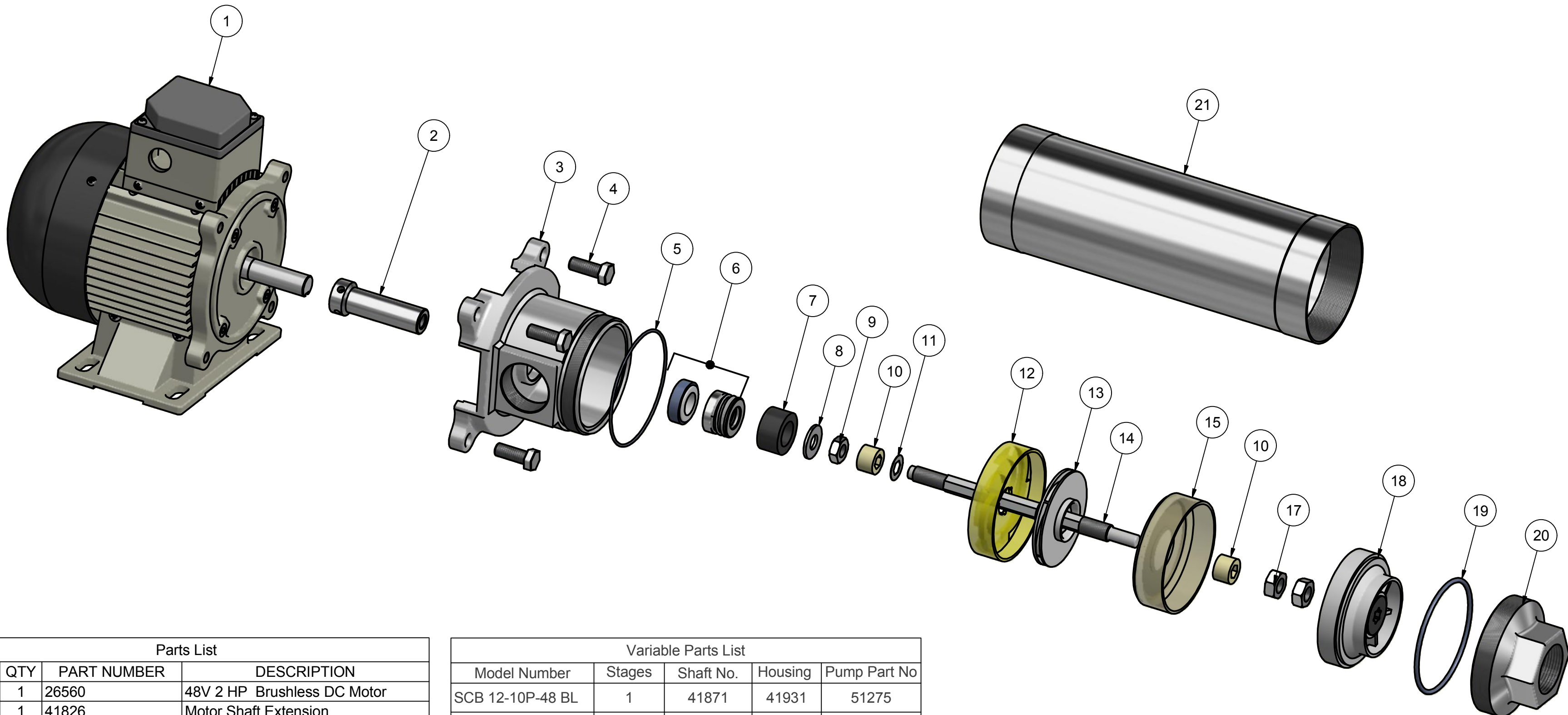


SunPumps 48V Brushless DC SCB Pumps 10 GPM Impeller



Parts List

ITEM	QTY	PART NUMBER	DESCRIPTION
1	1	26560	48V 2 HP Brushless DC Motor
2	1	41826	Motor Shaft Extension
3	1	41800	Motor Adapter, SCB
4	4	19650	Bolt, 3/8-16 X 1 SS
5	1	38820	O-Ring, 042
6	1	28520	Seal Assembly, Viton
7	1	41824	Seal Spacer, 3-4 X .655
8	1	22175	Washer, 7/16 SS
9	1	20000	Nut, 7-16 X 1-4, SS
10	2	41822	Spacer, Impeller 7/16 X 1/2
11	1	41820	Shim, 7/16 Hex X .015
12	Chart	41854	Diffuser, 7-10 GPM
13	Chart	41850	Impeller, 10 GPM
14	1	See Chart	Pump Shaft
15	1	41840	Diffuser Cage, 7-10
17	2	20085	Nut, 1/2 - 20, SS
18	1	41830	SCB Bearing Assembly
19	1	38850	O-Ring, 236
20	1	41805	Suction End Bell, SCB
21	1	See Chart	Housing, SCB

Variable Parts List

Model Number	Stages	Shaft No.	Housing	Pump Part No
SCB 12-10P-48 BL	1	41871	41931	51275
SCB 11-20P-48 BL	2	41872	41932	51276
SCB 10-30P-48 BL	3	41873	41933	51277
SCB 10-40P-48 BL	4	41874	41934	51278
SCB 11-45P-48 BL	5	41875	41935	51279
SCB 12-50P-48 BL	6	41876	41936	51280
SCB 11-60P-48 BL	7	41877	41937	51281
SCB 11-70P-48 BL	8	41878	41938	51282
SCB 11-75P-48 BL	9	41879	41939	51283
SCB 11-80P-48 BL	10	41880	41940	51284
SCB 11-95P-48 BL	12	41882	41942	51285
SCB 11-120P048 BL	15	41885	41945	51286

DRAWN James C. Allen	10/30/2012	SunPumps, Inc.	
CHECKED		TITLE	
QA		48V Brushless DC SCB	
MFG		Pumps 10 GPM Impeller	
APPROVED		SIZE	DWG NO
		C	EV-SCB-10GPM-48V
		SCALE	REV
		SHEET	1 OF 1