



Wireless Gateway Wireless Repeater

for inverters with SetApp Configuration

V. 1.3

- EN Quick Installation Guide
- FR Guide d'installation rapide
- ES Guía de Instalación Rápida

Apply label
here

EN Additional Information

FR Information additionnelle

ES Información adicional

EN What's in the Package

FR Contenu du package

ES Qué hay en el paquete

EN System Setup

FR Installation du système

ES Configuración del sistema

A

EN Remove Inverter Cover

FR Retirez le capot de l'onduleur

ES Retirar la tapa del inversor



Antenna installation guide
Guide d'installation de l'antenne
Manual de instalación de la antena

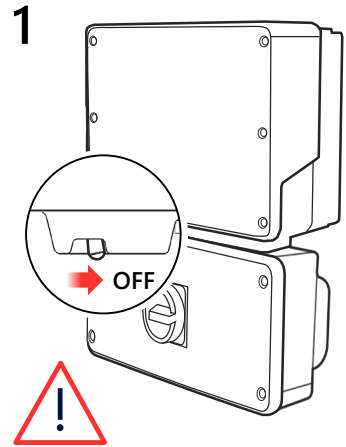
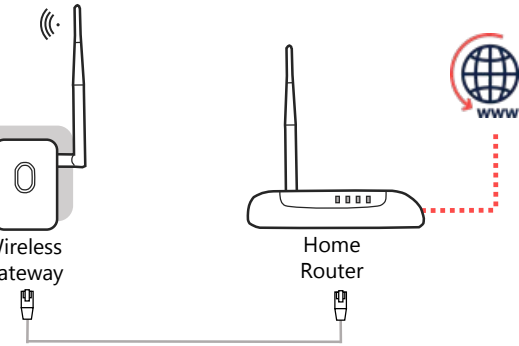
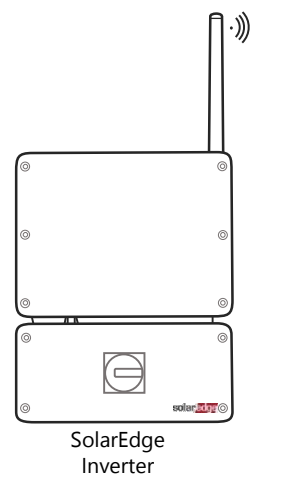
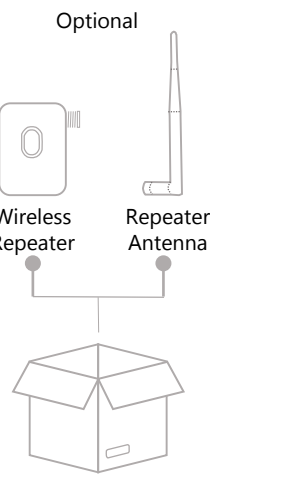
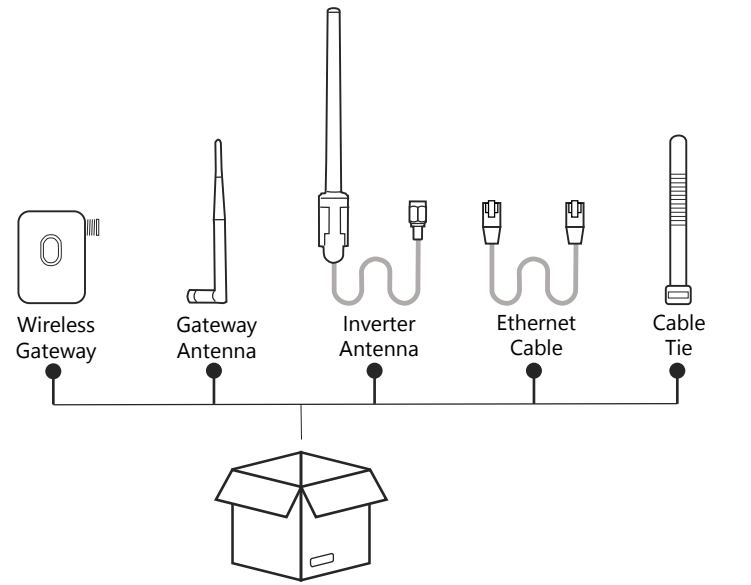
<https://www.solaredge.com/sites/default/files/se-wifi-zigbee-antenna-installation-guide-eng.PDF>



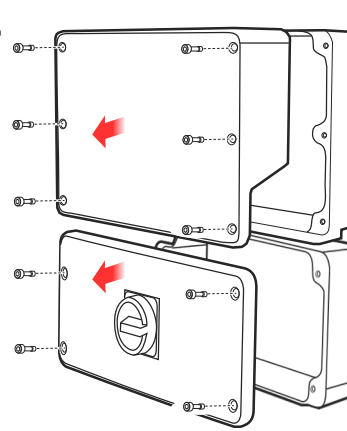
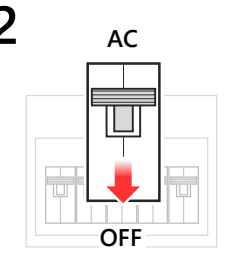
Wireless Gateway installation guide - Complete
Guide d'installation de la Wireless Gateway
Manual de instalación del Wireless Gateway

<https://www.solaredge.com/sites/default/files/se-wireless-gateway-wireless-repeater-installation-guide.pdf>

Discard this product according to local regulations or send it back to SolarEdge.
Mettre ce produit au rebut conformément à la réglementation en vigueur ou renvoyer celui-ci à SolarEdge.
Deseche este producto según las normativas locales o devuélvalo a SolarEdge.



**ELECTRICAL SHOCK HAZARD
RISQUE DE CHOC ÉLECTRIQUE
PELIGRO DE DESCARGA ELÉCTRICA**



About SolarEdge

SolarEdge is a global leader in smart energy technology. By deploying world-class engineering capabilities and a relentless focus on innovation, we create smart energy products and solutions that power our lives and drive future progress.

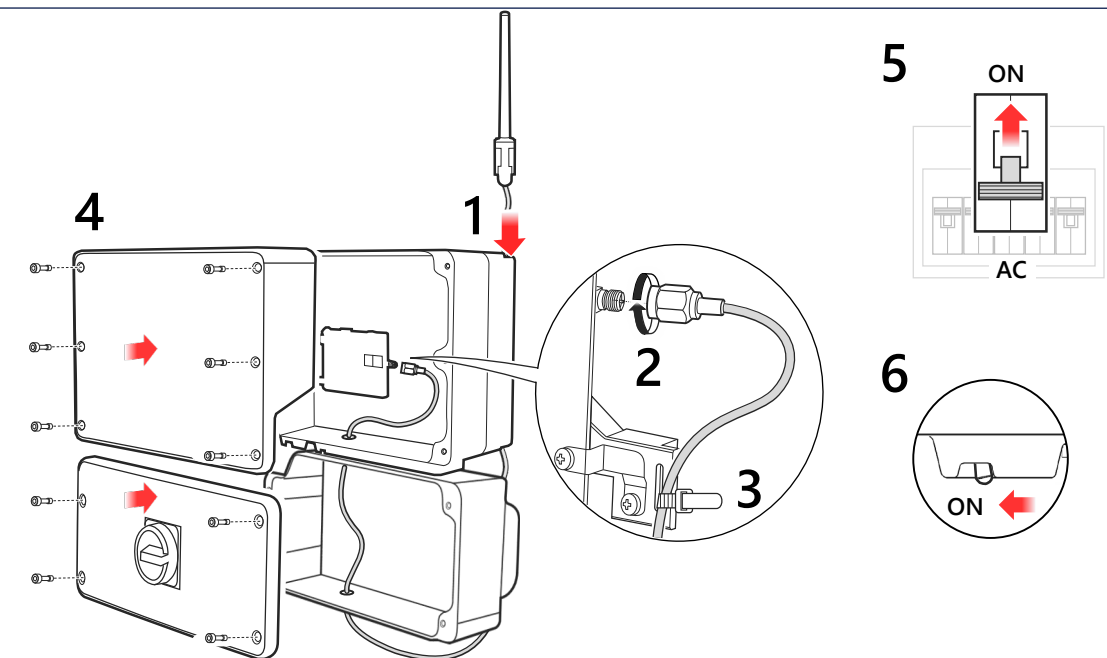
 SolarEdge
 @SolarEdgePV
 @SolarEdgePV
 SolarEdgePV
 SolarEdge
 info@solaredge.com

solaredge.com
 © SolarEdge Technologies, Ltd.
 All rights reserved.
 Version: 1.3, Nov. 2020
 Subject to change without notice.

B EN Install Antenna

FR Installer l'antenne

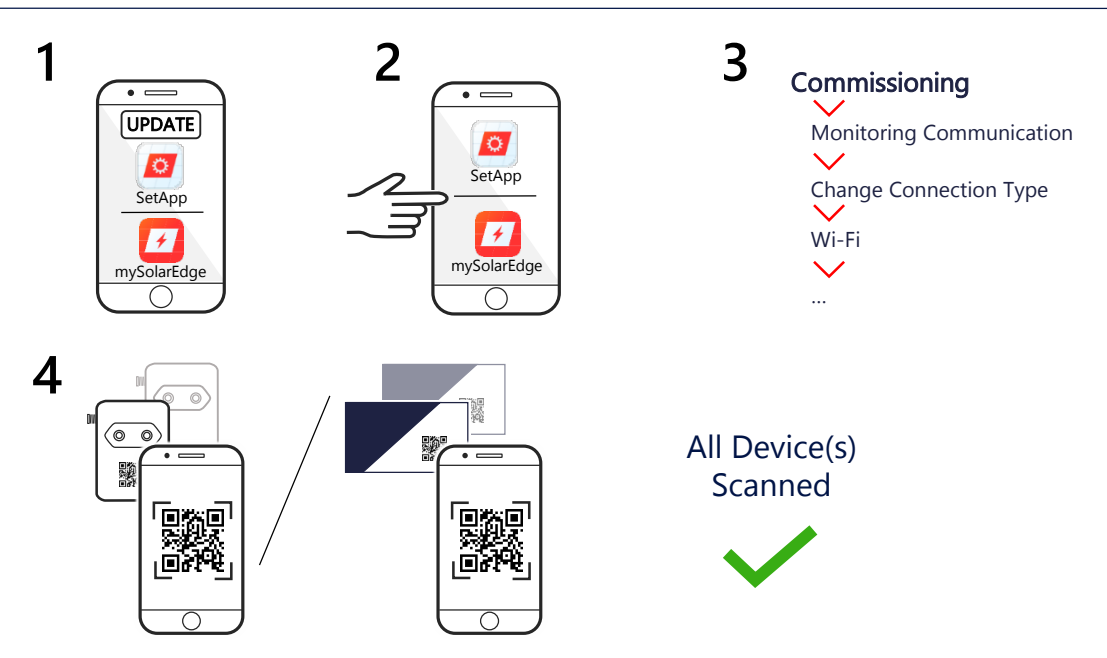
ES Instalar la Antena



C EN Pair with Inverter

FR Jumeler avec onduleur

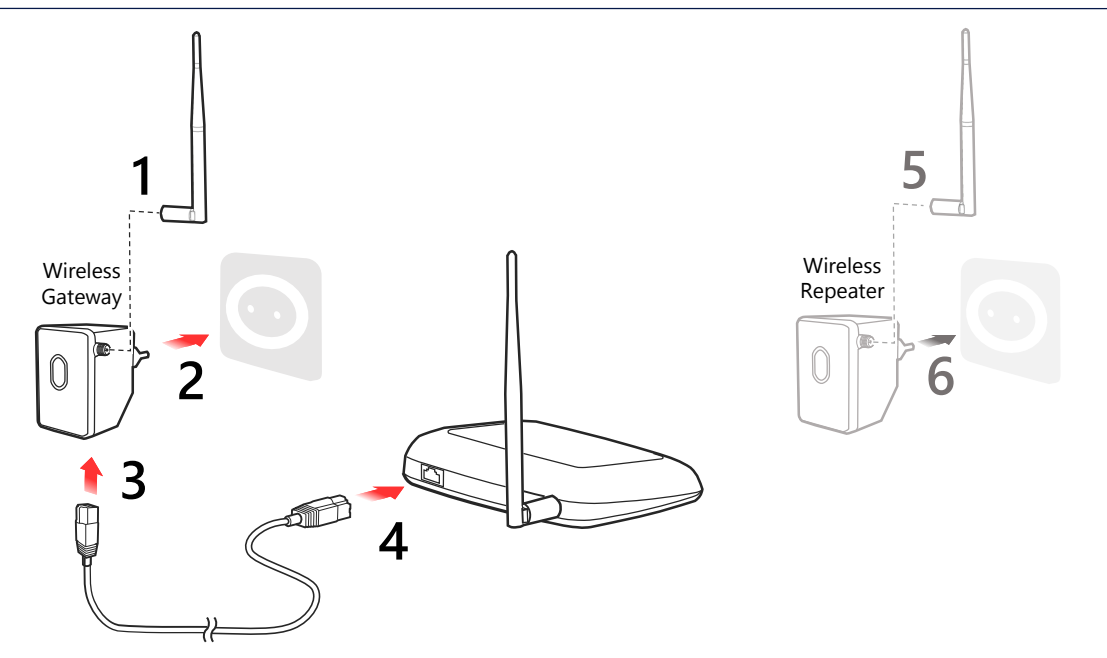
ES Conectar con el inversor



D EN Connect Gateway and Repeater

FR Connecter la gateway et le répéteur

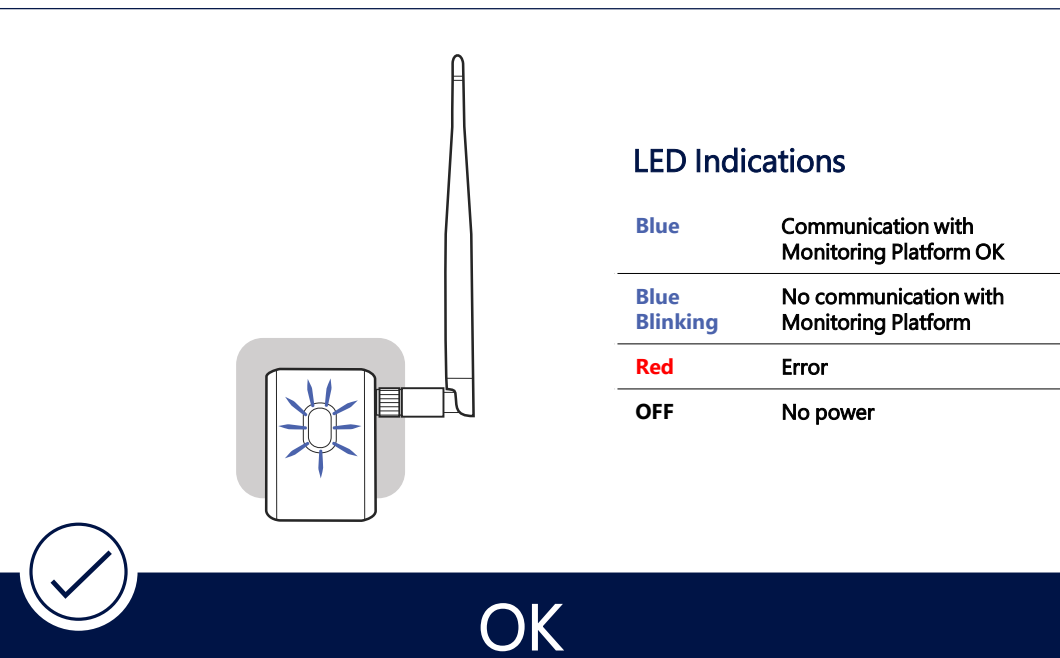
ES Conectar gateway y repetidor



E EN Make Sure Blue LED Lights up Continuously

FR Assurez-vous que la LED bleue s'allume

ES Asegurarse de que se encienda el LED azul



LED Indications

Blue	Communication with Monitoring Platform OK
Blue Blinking	No communication with Monitoring Platform
Red	Error
OFF	No power