
Power Optimizer

For Residential Installations

S440 / S500 / S500B / S650B



POWER OPTIMIZER

Enabling PV power optimization at the module level

- Specifically designed to work with SolarEdge residential inverters
- Mitigates all types of module mismatch loss, from manufacturing tolerance to partial shading
- Detects abnormal PV connector behavior, preventing potential safety issues*
- Faster installations with simplified cable management and easy assembly using a single bolt
- Module-level voltage shutdown for installer and firefighter safety
- Flexible system design for maximum space utilization
- Superior efficiency (99.5%)
- Compatible with bifacial PV modules

* Functionality subject to inverter model and firmware version

/ Power Optimizer

For Residential Installations

S440 / S500 / S500B / S650B

	S440	S500	S500B	S650B	UNIT
INPUT					
Rated Input DC Power ⁽¹⁾	440 ⁽²⁾	500 ⁽³⁾		650	W
Absolute Maximum Input Voltage (Voc)	60		125	85	Vdc
MPPT Operating Range	8 – 60		12.5 – 105	12.5 – 85	Vdc
Maximum Short Circuit Current (Isc) of Connected PV Module	14.5 ⁽²⁾	15			Adc
Maximum Efficiency	99.5				%
Weighted Efficiency	98.6				%
Oversoltage Category	II				
OUTPUT DURING OPERATION					
Maximum Output Current	15				Adc
Maximum Output Voltage	60		80		Vdc
OUTPUT DURING STANDBY (POWER OPTIMIZER DISCONNECTED FROM INVERTER OR INVERTER OFF)					
Safety Output Voltage per Power Optimizer	1 ± 0.1				Vdc
STANDARD COMPLIANCE⁽⁴⁾					
EMC	FCC Part 15 Class B, IEC61000-6-2, IEC61000-6-3, CISPR11, EN-55011				
Safety	IEC62109-1 (class II safety), UL1741				
Material	UL94 V-0, UV Resistant				
RoHS	Yes				
Fire Safety	VDE-AR-E 2100-712:2018-12				
INSTALLATION SPECIFICATIONS					
Maximum Allowed System Voltage	1000				Vdc
Dimensions (W x L x H)	129 x 155 x 30		129 x 165 x 45		mm
Weight	720		790		gr
Input Connector	MC4 ⁽⁵⁾				
Input Wire Length	0.1				m
Output Connector	MC4				
Output Wire Length	(+) 2.3, (-) 0.10				m
Operating Temperature Range ⁽⁶⁾	-40 to +85				°C
Protection Rating	IP68				
Relative Humidity	0 – 100				%

(1) Rated power of the module at STC will not exceed the Power Optimizer Rated Input DC Power. Modules with up to +5% power tolerance are allowed.

(2) For installations after April 1st, 2024, the Rated Input DC Power for S440 is 490W, and the Maximum Isc of Connected PV Module is 15A.

(3) For installations after April 1st, 2024, the Rated Input DC Power for S500 and S500B is 550W.

(4) For details about CE compliance, see [Declaration of Conformity – CE](#).

(5) For other connector types please contact SolarEdge.

(6) Power derating is applied for ambient temperatures above +85°C for S440 and S500, and for ambient temperatures above +75°C for S500B. Refer to the [Power Optimizers Temperature Derating](#) technical note for details.

PV System Design Using a SolarEdge Inverter ⁽⁷⁾	SolarEdge Home Wave Inverter Single Phase	SolarEdge Home Short String Inverter Three Phase	Three Phase for 230/400V Grid	Three Phase for 277/480V Grid	
Minimum String Length (Power Optimizers)	S440, S500	8	9	16	18
	S500B, S650B	6	8	14	
Maximum String Length (Power Optimizers)	25	20	50		
Maximum Continuous Power per String	5700	5625	11,250	12,750	W
Maximum Allowed Connected Power per String ⁽⁸⁾ (In multiple string designs, the maximum is permitted only when the difference in connected power between strings is 2,000W or less)	6800 ⁽⁹⁾	See ⁽⁸⁾	13,500	15,000	W
Parallel Strings of Different Lengths or Orientations	Yes				

(7) It is not allowed to mix S-series and P-series Power Optimizers in new installations in the same string.

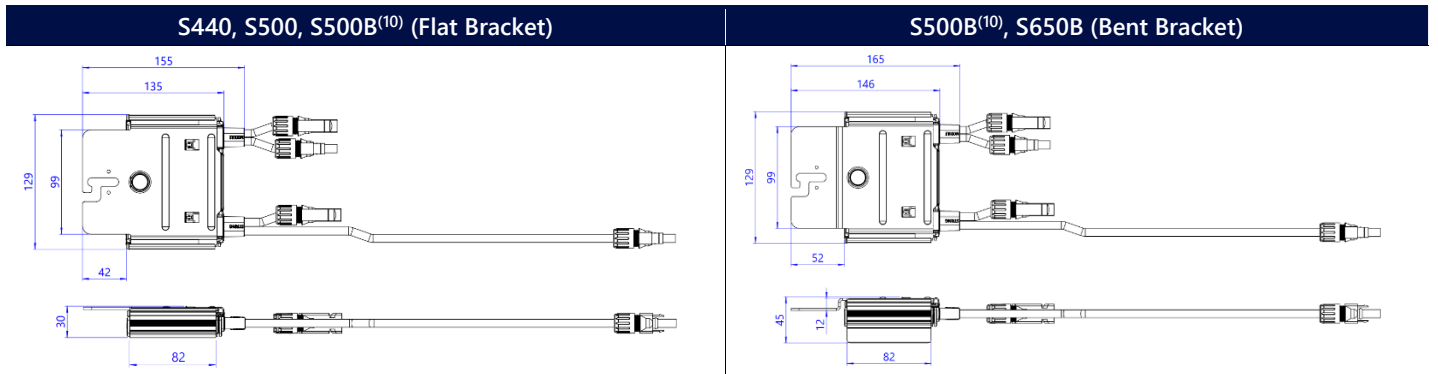
(8) If the inverter's rated AC power ≤ the maximum continuous power per string, then the maximum connected power per string will be able to reach up to the inverter's maximum input DC power. Refer to the [Single String Design Guidelines](#) application note for details.

(9) For inverters with a rated AC power ≥ 8000W that are connected to at least two strings.

/ Power Optimizer

For Residential Installations

S440 / S500 / S500B / S650B



(10) S500B has either a flat bracket or a bent bracket. S500B-1GM4MRM has a flat bracket, and S500B-1GM4MBM has a bent bracket.