

Useful Links



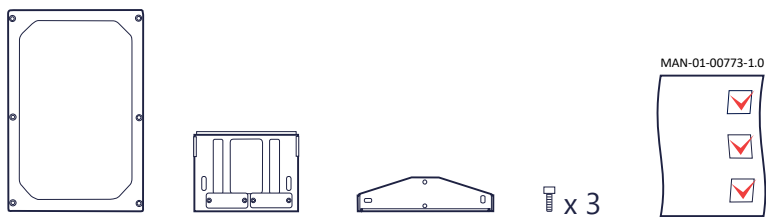
Backup Interface for the main lug only

for use with the Single Phase Energy Hub Inverter with Prism Technology

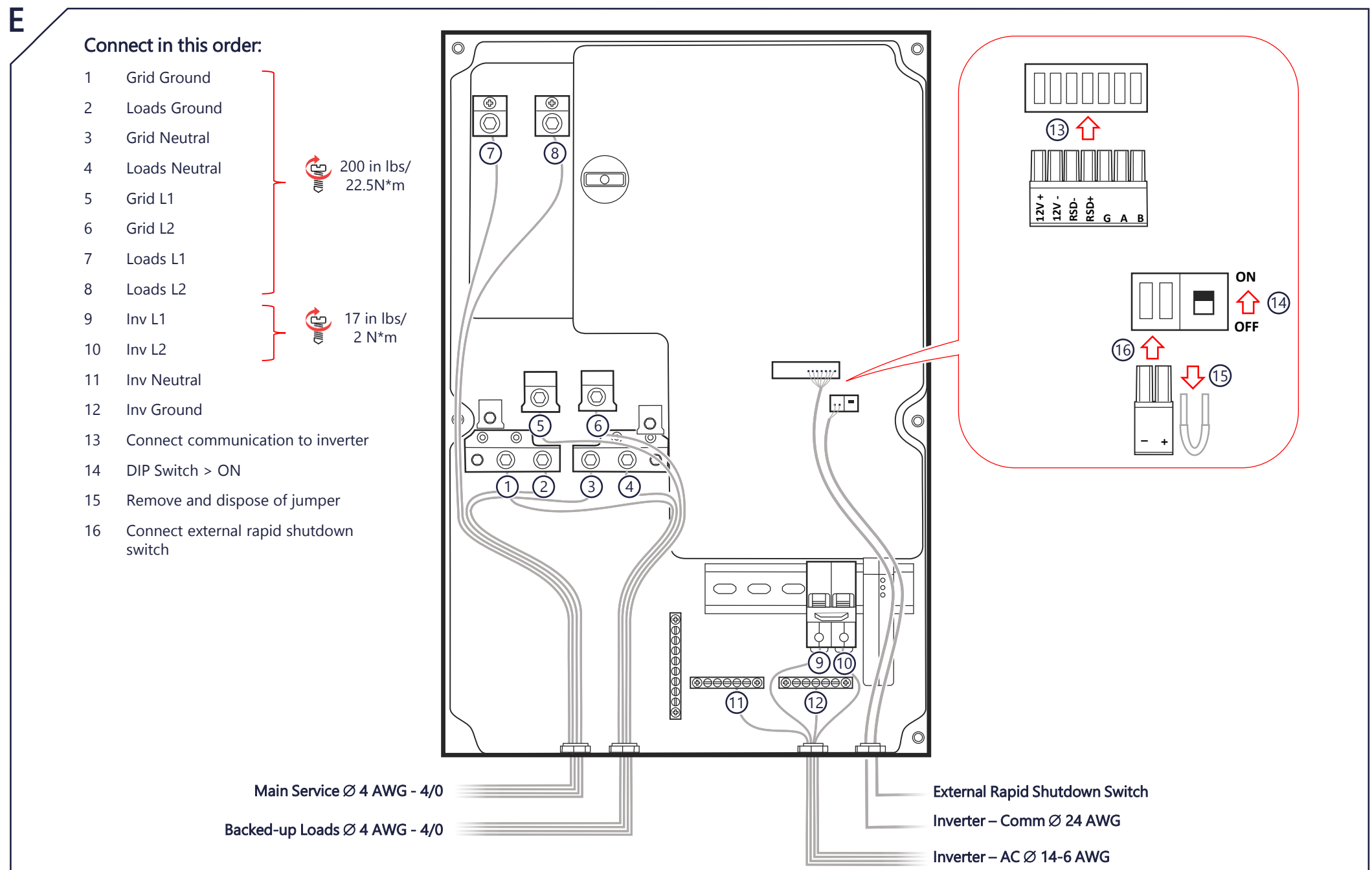
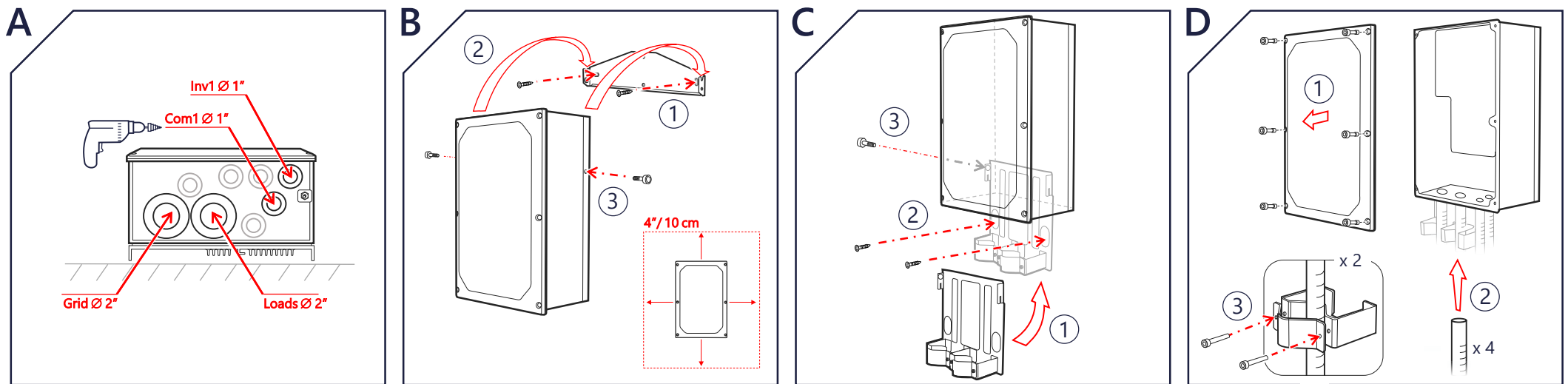
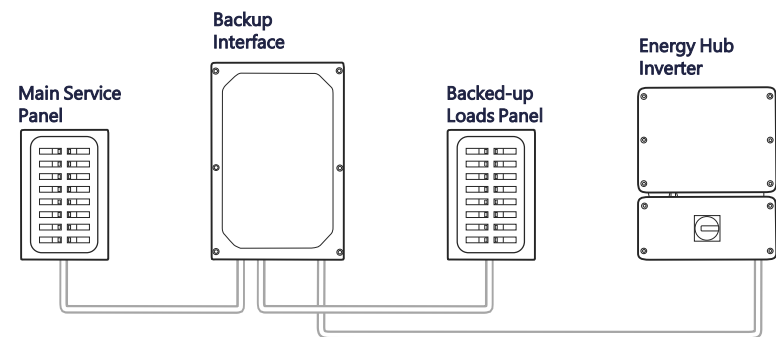
© SolarEdge Technologies, Ltd.
All rights reserved.
Version: 1.0, August 2020
Subject to change without notice.

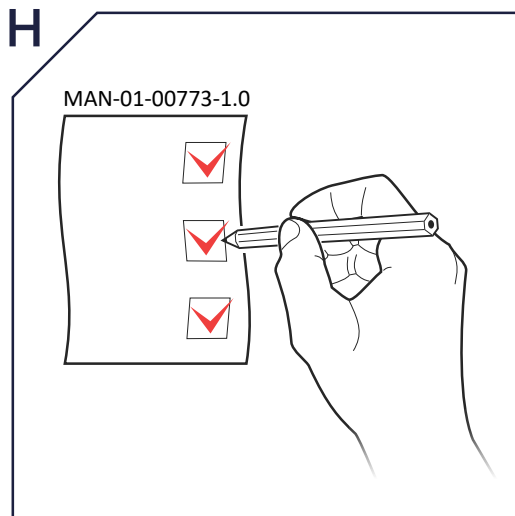
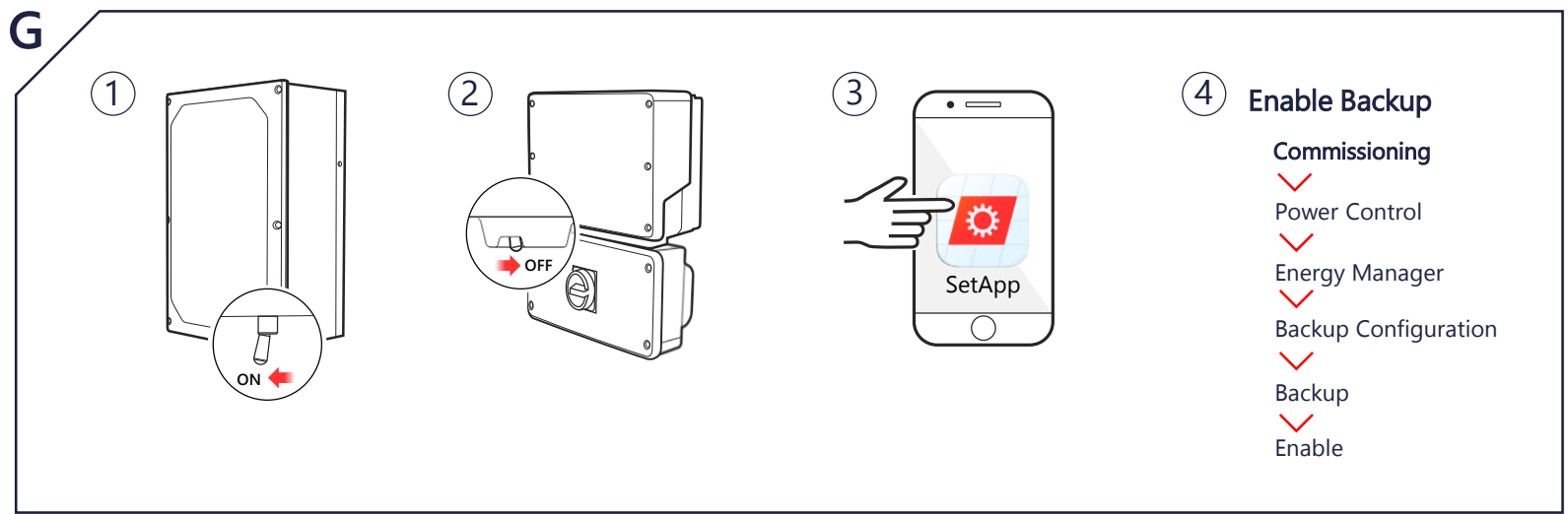
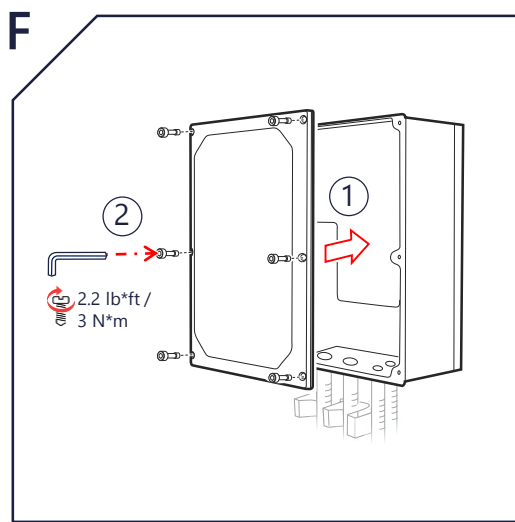


What's in the Package

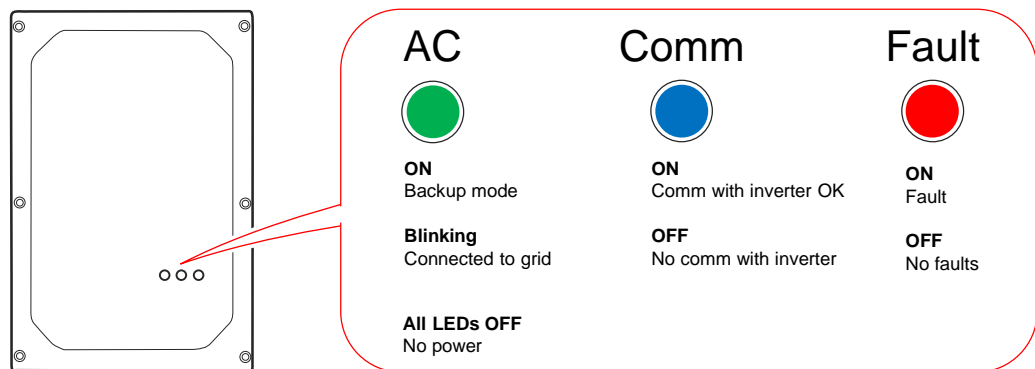


System Layout





LED Indications



HANDLING AND SAFETY INSTRUCTIONS

Safety Information

WARNING!

Denotes a hazard. It calls attention to a procedure that, if not correctly performed or adhered to, could result in injury or loss of life. Do not proceed beyond a warning note until the indicated conditions are fully understood and met.

CAUTION!

Denotes a hazard. It calls attention to a procedure that, if not correctly performed or adhered to, could result in damage or destruction of the product. Do not proceed beyond a caution sign until the indicated conditions are fully understood and met.

NOTE

Denotes additional information about the current subject.

IMPORTANT SAFETY FEATURE

Denotes information about safety issues.

Safety Instructions

WARNING!

When modifying an existing installation:

- Turn off the grid input power by turning off the circuit breaker on the main AC distribution board connected to the Backup Interface.
- Turn off the inverters by turning off the inverters' ON/OFF/P switch and the inverter circuit breaker in the Backup Interface.

The inverter cover must be opened only after shutting off the inverter ON/OFF/P switch located at the bottom of the inverter. This disables the DC voltage inside the inverter. Wait five minutes before opening the cover. Otherwise, there is a risk of electric shock from energy stored in the capacitors.

Before operating the Backup Interface and inverter, ensure that they are properly grounded. The Backup Interface and inverter must be connected to a grounded, metal, permanent wiring system, or an equipment-grounding conductor must be run with the circuit conductors and connected to the equipment grounding terminal or lead.

Opening the Backup Interface and repairing or testing under power must be performed only by qualified service personnel familiar with the Backup Interface.

The Safety Switch of the inverter meets all requirements for a code-compliant installation of this system. The DC Disconnect Switch disconnects both the positive and negative conductors.

The inverter input and output circuits are isolated from the enclosure. This system does not include an isolation transformer and should be installed with an ungrounded PV array in accordance with the requirements of NEC Articles 690.35 and 690.43 National Electric Code, ANSI/NFPA 70, 2011 (and Canadian Electrical Code, Part I, for installations in Canada).

Equipment grounding is the responsibility of the installer and must be performed in accordance with all applicable Local and National Codes.

SolarEdge products can expose you to chemicals including antimony trioxide, which is known to the State of California to cause cancer. For more information, go to www.P65Warnings.ca.gov.

Do not touch the PV panels or any rail system connected when the inverter switch is ON, unless grounded.

Turn OFF the AC before connecting the AC terminals. If connecting equipment grounding wire, connect it before connecting the AC Line and Neutral wires.

The inverter must be configured to the proper country in order to ensure that it complies with the country grid code and functions properly with that country grids.

CAUTION!


This unit must be operated according to the technical specification datasheet provided with the unit.

HEAVY OBJECT. To avoid muscle strain or back injury, use proper lifting techniques, and if required - a lifting aid.


NOTE


Use only copper conductors rated for a minimum of 75°C/ 167°F.


This inverter is provided with an IMI (Isolation Monitor Interrupter) for ground fault protection.

The  symbol appears at grounding points on the SolarEdge equipment. This symbol is also used in SolarEdge manuals.

The following warning symbols appear on the inverter warning label:

 Risk of electric shock

 **5 Minutes** Risk of electric shock from energy stored in the capacitor. Do not remove cover until 5 minutes after disconnecting all sources of supply.

 Hot surface – To reduce the risk of burns, do not touch.

IMPORTANT SAFETY FEATURE

To perform rapid shutdown, press the external rapid shutdown switch.

Modules with SolarEdge power optimizers are safe. They carry only a low safety voltage before the inverter is turned ON. As long as the power optimizers are not connected to the inverter or the inverter is turned OFF, each power optimizer will output a safe voltage of 1V.