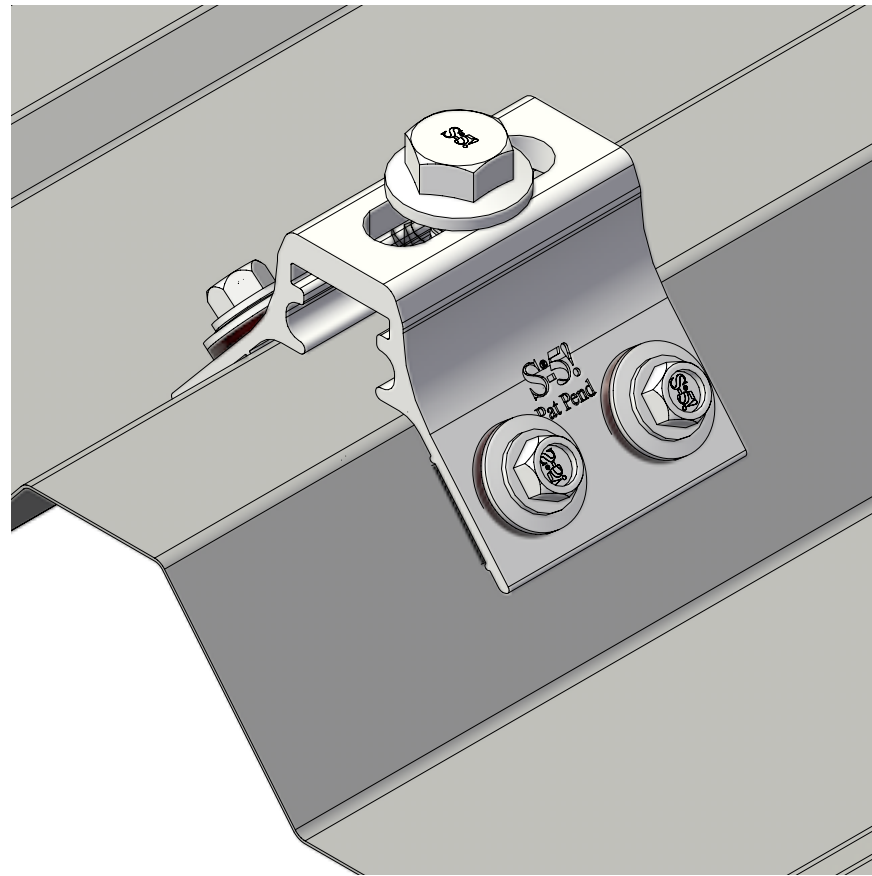
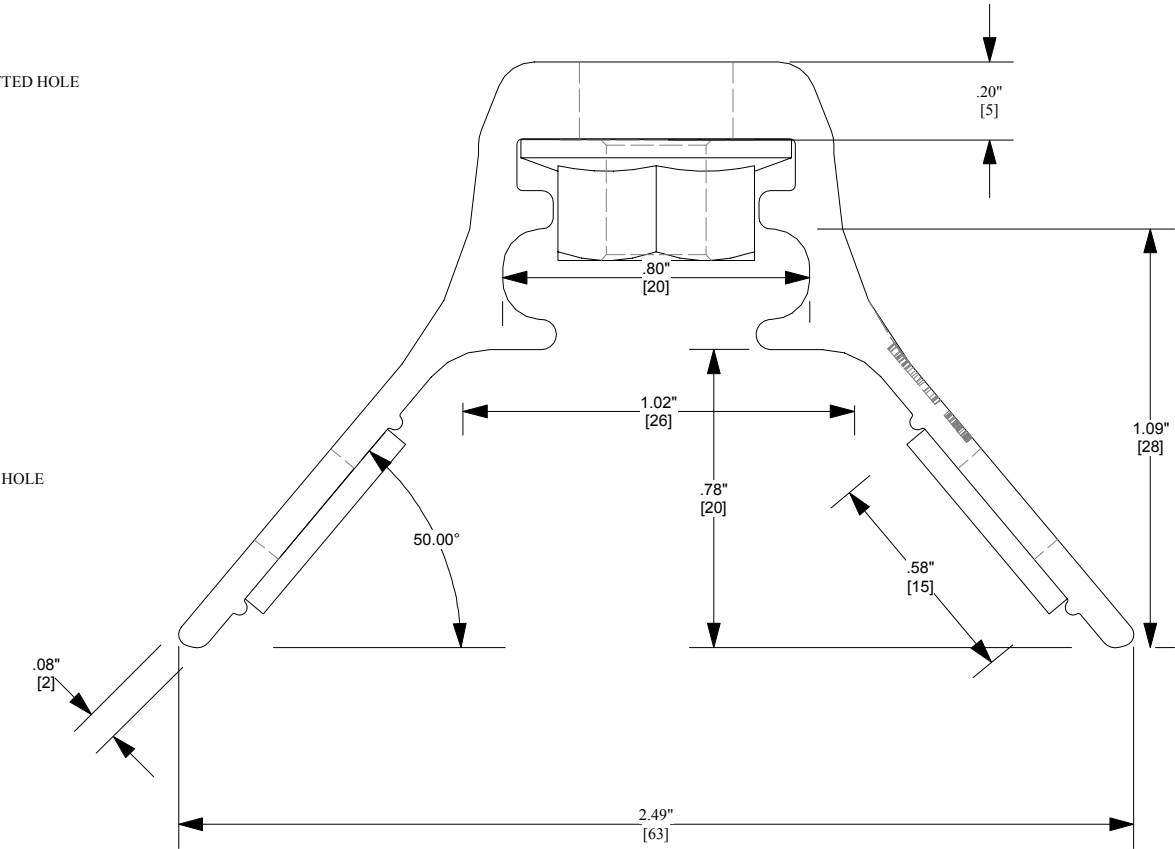
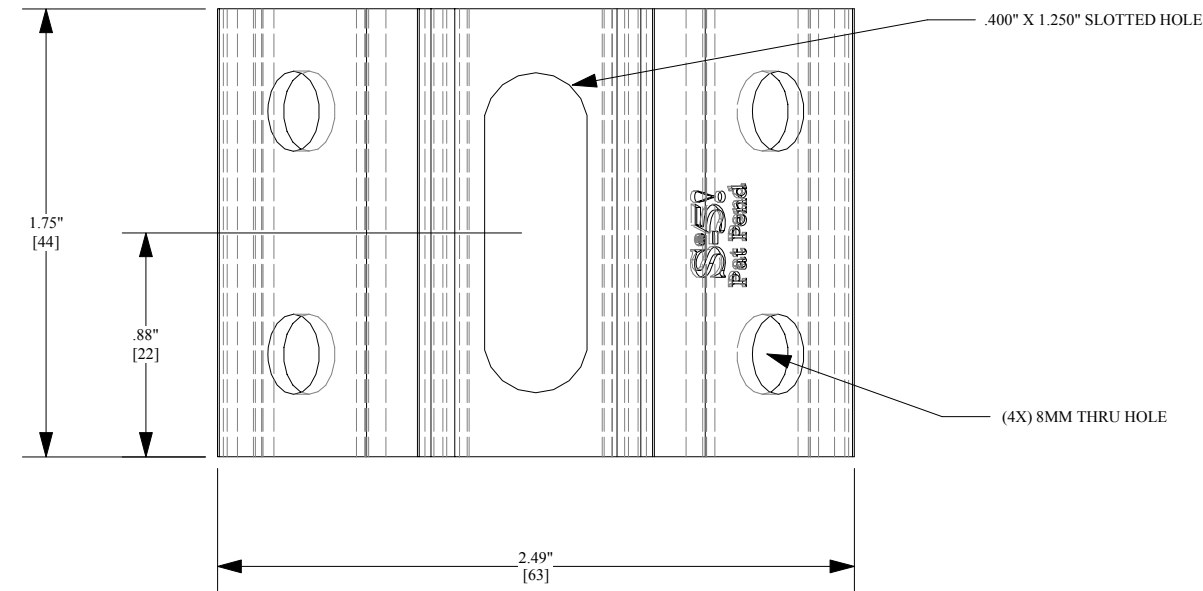


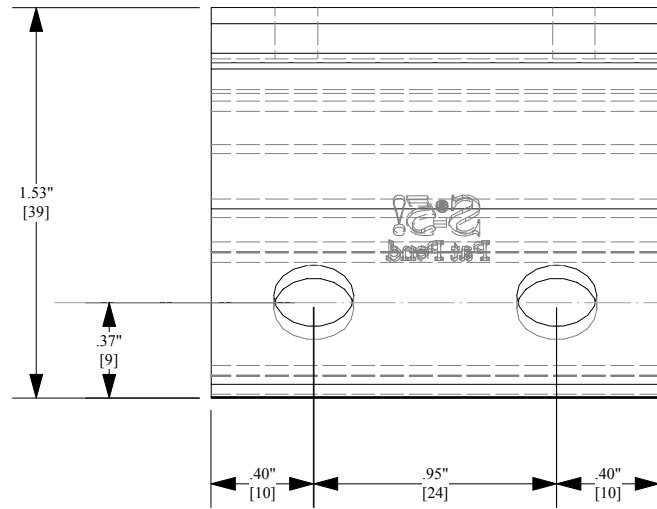
ISOMETRIC VIEW



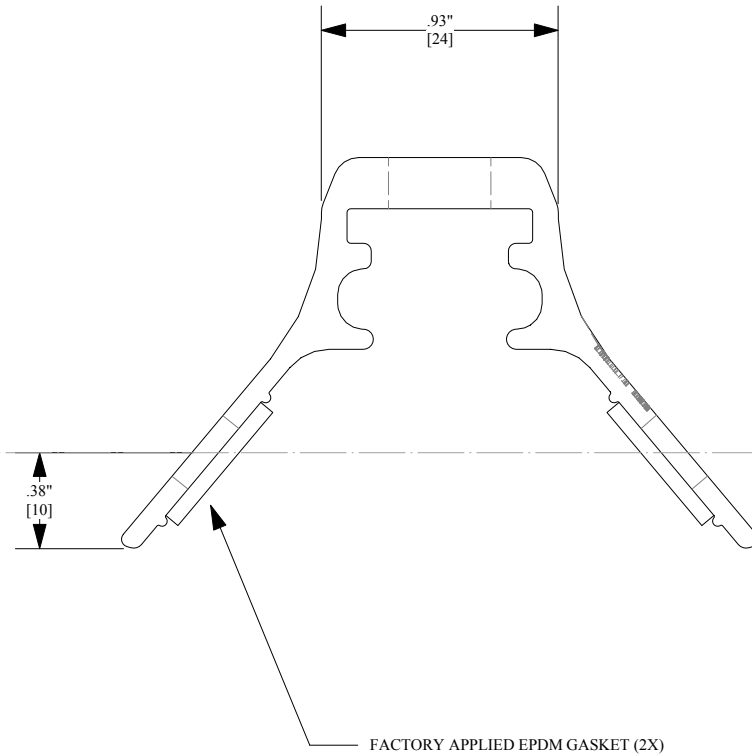
TOP VIEW



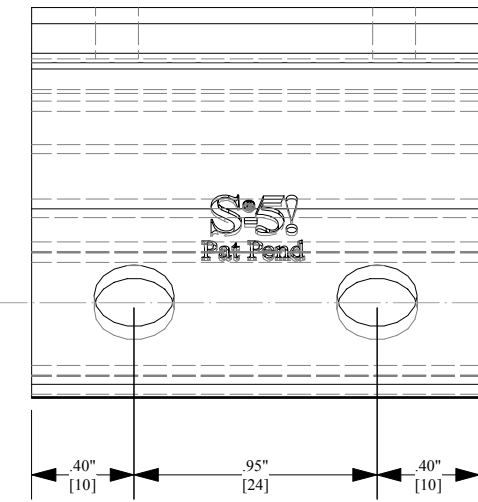
LEFT VIEW



FRONT VIEW

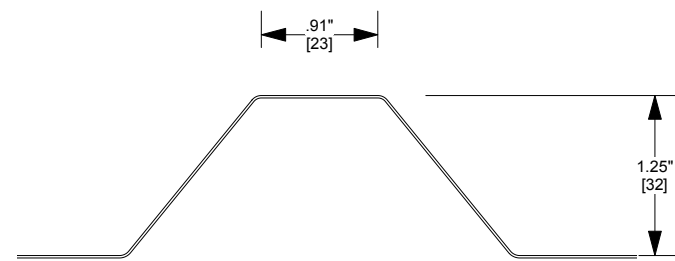


RIGHT VIEW

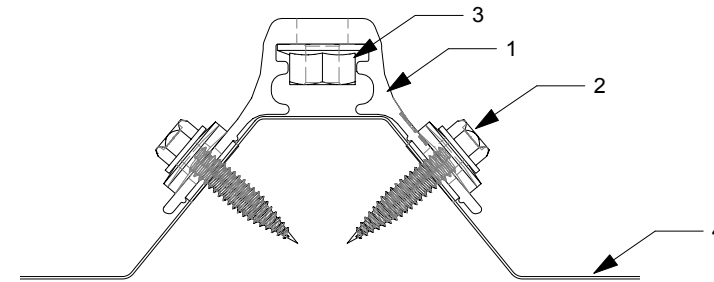


General Notes

1. RibBracket™
2. 6MM X 25MM BI - Metal Sheet Screw
3. M8 Hex Flange Nut (Stainless Steel)
4. Panel Sample



Scale: 1=1.5



Scale: 1=1.5

MATERIAL:	6000 SERIES AL
EST ASSEMBLY WEIGHT :	
SUPPLIED HARDWARE:	M8 HEX FLANGE NUT (STAINLESS STEEL) 6MM x 25MM BI - METAL SHEET SCREW
SCALE:	1:75
OTHER:	



METAL ROOF INNOVATIONS, LTD.
8655 TABLE BUTTE RD
COLORADO SPRINGS, CO 80908
719-495-0518
719-495-0045 (FAX)

TITLE: S-5! RibBracket™			
DRAWING NO.	UST93-A-0-A-CCD	DRAWN BY	Gabor Jaczo
DATE	08/19/2014		
<small>S-5!® PRODUCTS ARE PROTECTED BY MULTIPLE U.S. PATENTS INCLUDING 5,228,248, 5,983,588 AND 6,164,033 (OTHERS ISSUED AND PENDING). EUROPEAN PATENTS ARE ALSO APPLIED FOR AND PENDING UNDER THE PATENT COOPERATION TREATY WITH DIVISIONAL FILING RIGHTS RETAINED. METAL ROOF INNOVATIONS, LTD. (LICENSOR OF S-5!® TECHNOLOGY) AGGRESSIVELY PROSECUTES PATENT INFRINGEMENT.</small>			