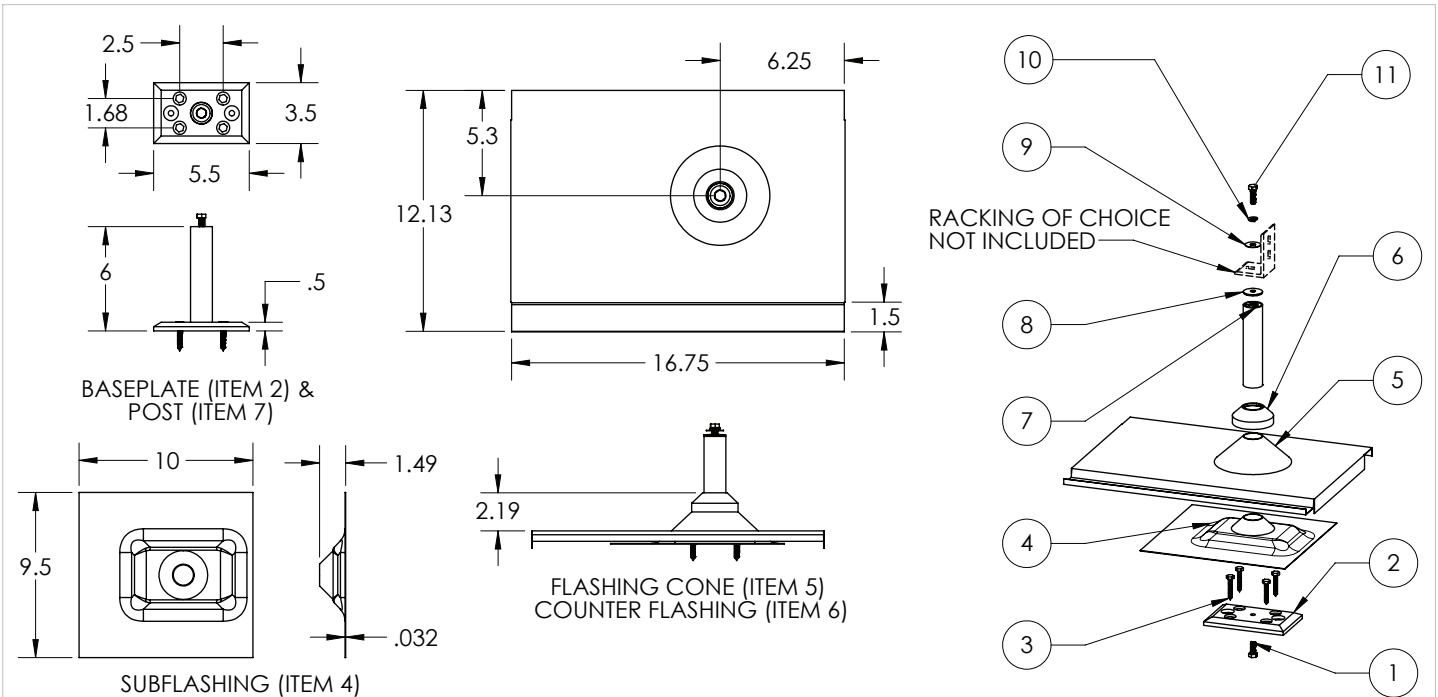


Specialty Flat Tile Mount | QMFTM



ITEM NO.	DESCRIPTION	QTY.
1	HEX BOLT, 5/16" X 3/4", GRADE 8	1
2	BASE PLATE, SPECIALTY FLAT TILE	1
3	LAG SCREW, HEX HEAD, 1/4" X 1-1/2", ZINC	4
4	SUB FLASHING, SPECIALTY FLAT TILE, 9.5" X 10" X .032", 3003, MILL	1
5	FLASHING, SPECIALTY FLAT TILE, .032" THICK, 3003 AL, MILL	1
6	EPDM RUBBER COUNTER FLASHING	1
7	POST 1.25" OD X 5.5" MILL	1
8	SEALING WASHER, 5/16" X 1-1/4", EPDM BONDED 18-8 SS	1
9	WASHER, FENDER, 5/16" X 1", 18-8 SS	1
10	WASHER, SPLIT-LOCK, 5/16" X 1", 18-8 SS	1
11	HEX BOLT, 5/16" X 1", 18-8 SS	1

POST & TOP FLASHING AVAILABLE IN MILL, CLEAR ANODIZED, AND BRONZE ANODIZED FINISHES.

Quick Mount PV®

TITLE:

QMFTM: SPECIALTY FLAT TILE MOUNT

UNLESS OTHERWISE SPECIFIED:
DIMENSIONS ARE IN INCHES
TOLERANCES:
FRACTIONAL ± 1/16
TWO PLACE DECIMAL ±.02
THREE PLACE DECIMAL ±.005

SIZE	DRAWN BY: PWJ	REV
A	DATE: 5/30/2012	2
SCALE: 1:8	WEIGHT: 1.987	SHEET 1 OF 1

PROPRIETARY AND CONFIDENTIAL
THE INFORMATION CONTAINED IN THIS DRAWING IS THE SOLE PROPERTY OF QUICK MOUNT PV. ANY REPRODUCTION IN PART OR AS A WHOLE WITHOUT THE WRITTEN PERMISSION OF QUICK MOUNT PV IS PROHIBITED.

DO NOT SCALE DRAWING

Lag pull-out (withdrawal) capacities (lbs) in typical lumber:

	Lag Bolt Specifications		
	Specific Gravity	4 ea 1/4" shaft per 1" thread depth	1/4" shaft per 1" thread depth
Douglas Fir, Larch	.50	900	225
Douglas Fir, South	.46	828	207
Engelmann Spruce, Lodgepole Pine (MSR 1650 f & higher)	.46	828	179
Hem, Fir	.43	716	207
Hem, Fir (North)	.46	828	207
Southern Pine	.55	1040	260
Spruce, Pine, Fir	.42	692	173
Spruce, Pine, Fir (E of 2 million psi and higher grades of MSR and MEL)	.50	900	225

Sources: American Wood Council, NDS 2005, Table 11.2 A, 11.3.2 A

Notes:

- 1) Thread must be embedded in a rafter or other structural roof member.
- 2) See IBC for required edge distances.

IMPORTANT: To maintain waterproofing it is important that the subflashing is properly installed under a course of felt paper and the sealing washer must be placed directly on the post before racking is installed. See instructions on back.

Quick Mount PV®
RESPECT THE ROOF®

Quick Mount PV[®]

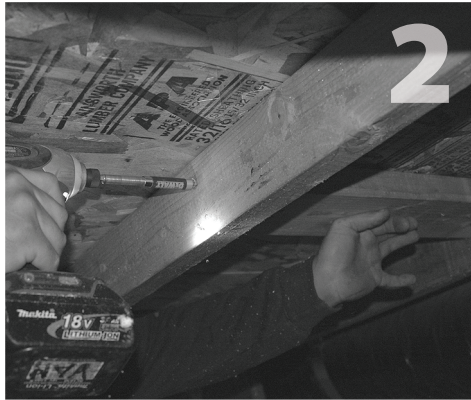
Specialty Flat Tile Mounting Instructions

Installation Tools Required: tape measure, drill with 11/64" bit, impact drill with 7/16" socket, caulking gun, one tube of appropriate sealant, 30lb felt paper, roofing bar.

WARNING: Quick Mount PV products are NOT designed for and should NOT be used to anchor fall protection equipment.



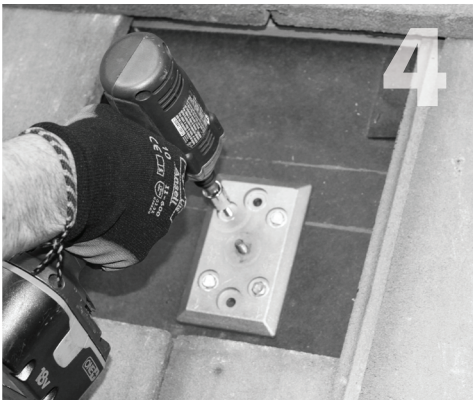
Remove tile at location of mount. Measure up 6 5/8" to center of mount. Mark paper, then measure 5 1/2" from exposed edge of adjoining right tile to center of mount, and mark paper.



Install rafter blocks below all mount locations.



Use the base plate as a template to mark the drilling of the four attachment holes. Remove base plate, drill 11/64" pilot holes through the deck/block. Fill holes with appropriate sealant.



Insert grade 8 bolt under base plate in hex slot so threads point upward. Place base plate over pilot holes and secure with the four 1-1/2" lag bolts.



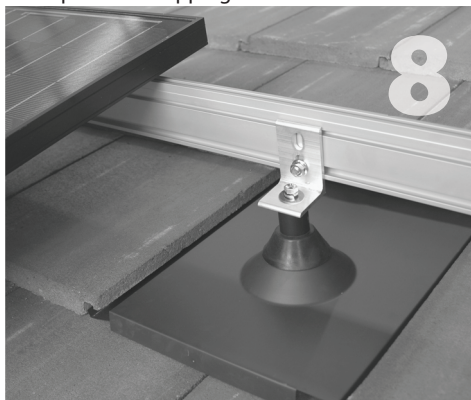
Place subflashing over base plate and under the course of felt paper above. If the felt paper course is too high, you must place additional felt paper under its edge and over subflashing to continue waterproof overlapping.



With the leading edge of tiles above still wedged up, lift left side tile and set aluminum flashing into place.



Insert post through flashing and secure to base on the grade 8 bolt. Add sealant where post and flashing meet.



Slide on EPDM counter flashing. Place sealing washer between post and rack. Tighten to 13 foot-pounds.

You are now ready for the rack of your choice. Follow all the directions of the rack manufacturer as well as the module manufacturer.

All roofing manufacturers' written instructions must also be followed by anyone modifying a roof system. Please consult the roof manufacturer's specs and instructions prior to touching the roof.

925-478-8269 • www.quickmountpv.com • info@quickmountpv.com

2700 Mitchell Dr., Bldg 2 • Walnut Creek, CA 94598