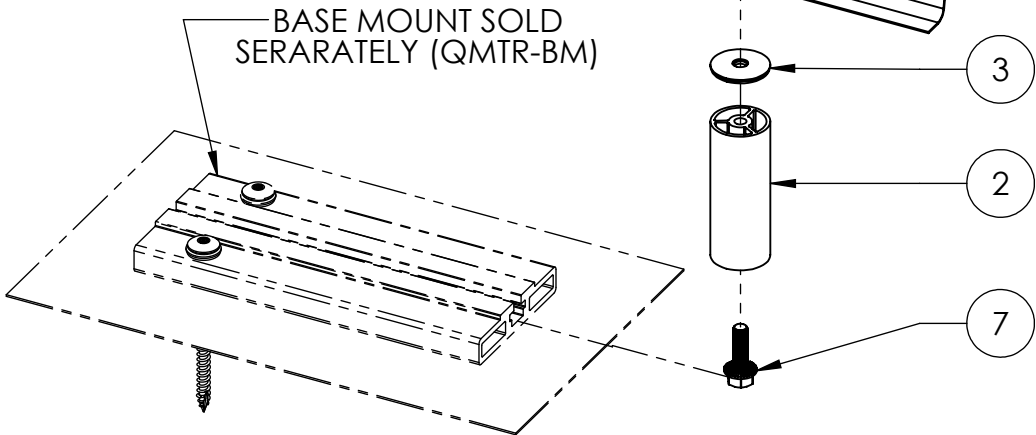
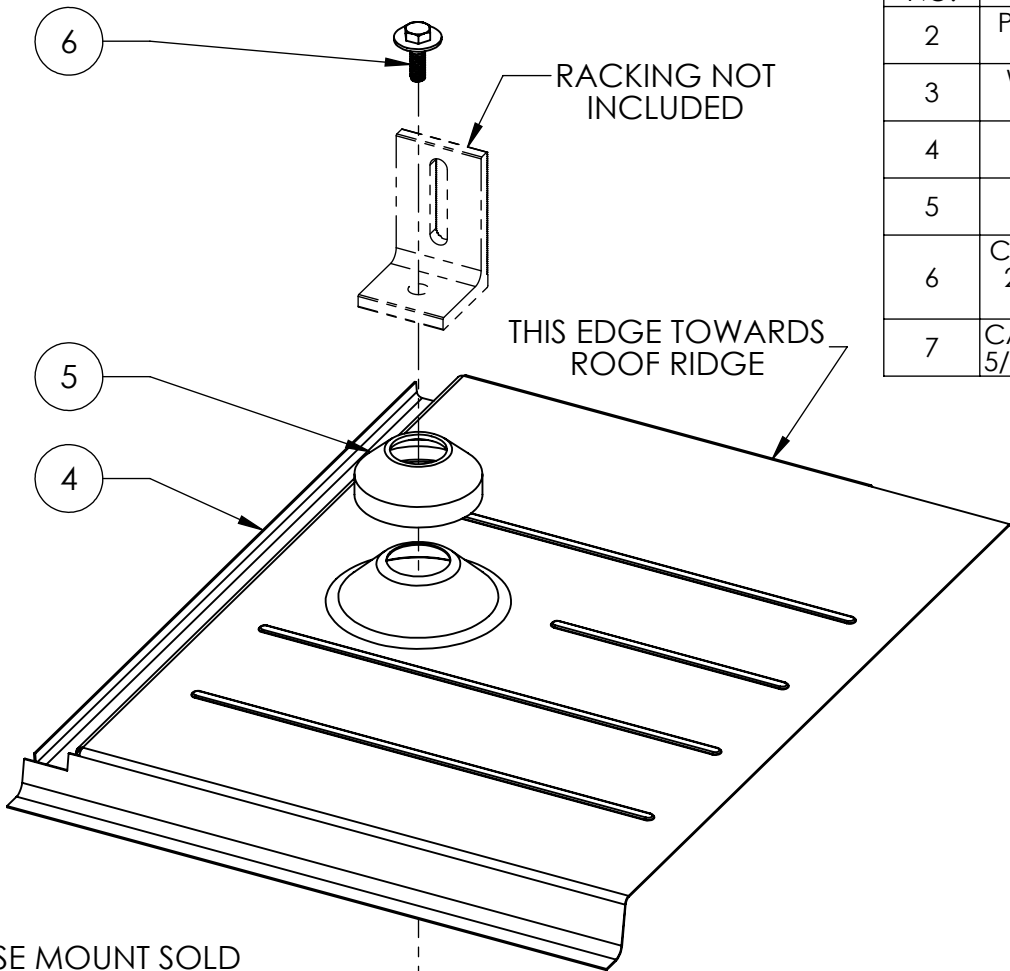


ITEM NO.	DESCRIPTION	QTY.
2	POST, 1-1/4" OD X 3-1/4", 6063-T5/6063-T6, MILL	1
3	WASHER, SEALING, 5/16" ID X 1-1/4" OD, EPDM BONDED SS	1
4	FLASHING, REPLACEMENT TILE, FLAT, 1" CONE, ALUMINUM, MILL	1
5	COLLAR, COUNTER FLASHING, 1-1/4" ID EPDM	1
6	CAP SCREW, HEX HEAD, 5/16"-18 X 1" UNC-2A, NYLON PATCH, W/CAPTIVE WASHER, 1"OD, 18-8 SS	1
7	CAP SCREW, SERRATED FLANGE, HEX HEAD, 5/16"-18 X 1" UNC-2A, GRADE 8, MAGNI 525	1



AVAILABLE IN MILL, AND BLACK FINISHES



TITLE:
**QMTR-F3.25: TILE REPLACEMENT,
 FLAT TILE, 3-1/4" POST**

UNLESS OTHERWISE SPECIFIED: DIMENSIONS ARE IN INCHES TOLERANCES: FRACTIONAL ± 1/8 TWO PLACE DECIMAL ±.19 THREE PLACE DECIMAL ±.094	SIZE	DRAWN BY: JPW	REV
	A	DATE: 1/27/2020	8
	SCALE: 1:4	WEIGHT: 1.23	SHEET 1 OF 1

PROPRIETARY AND CONFIDENTIAL
 THE INFORMATION CONTAINED IN THIS DRAWING IS THE SOLE PROPERTY OF QUICK MOUNT PV. ANY REPRODUCTION IN PART OR AS A WHOLE WITHOUT THE WRITTEN PERMISSION OF QUICK MOUNT PV IS PROHIBITED. COPYRIGHT © 2020 QUICK MOUNT PV

DO NOT SCALE DRAWING