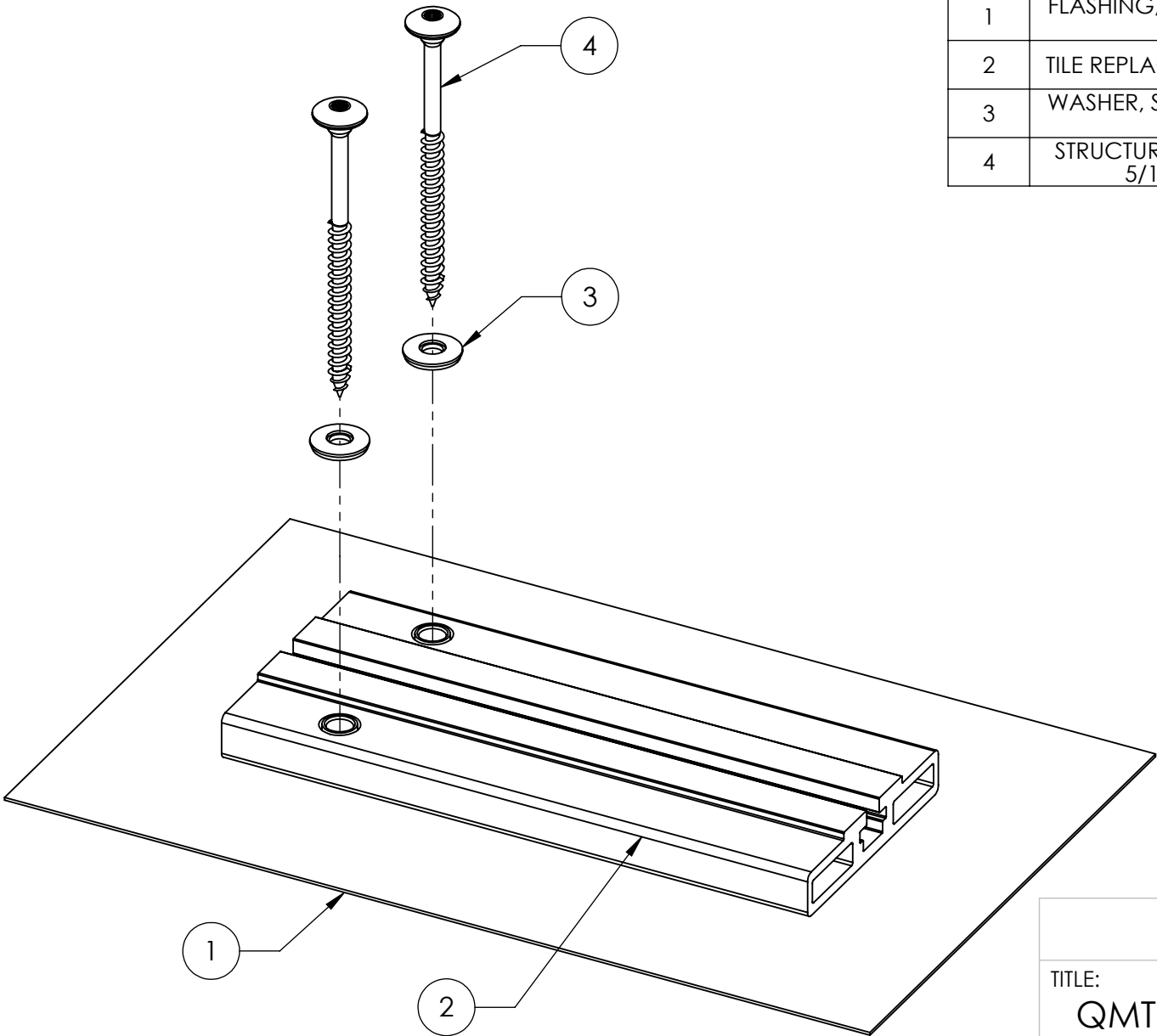


ITEM NO.	DESCRIPTION	QTY.
1	FLASHING, .040" X 12" X 7.5", SHEET, 5052-H32, MILL	1
2	TILE REPLACEMENT BASE, 8.125", 6061-T6, MILL	1
3	WASHER, SEALING, 5/16" ID X 3/4" OD, EPDM BONDED SS	2
4	STRUCTURAL SCREW, QMPV, BUTTON HEAD, 5/16" X 4", T-30, STEEL, COATED	2



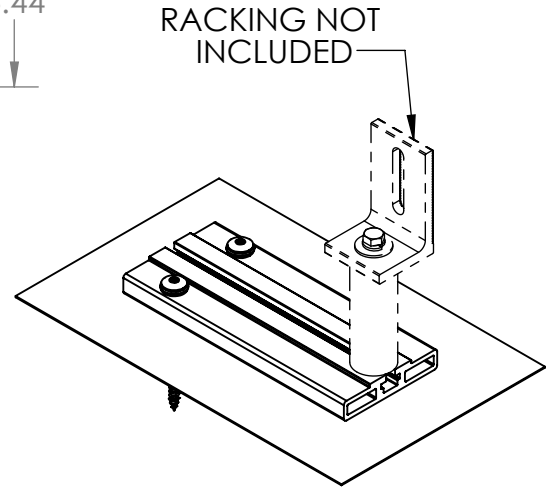
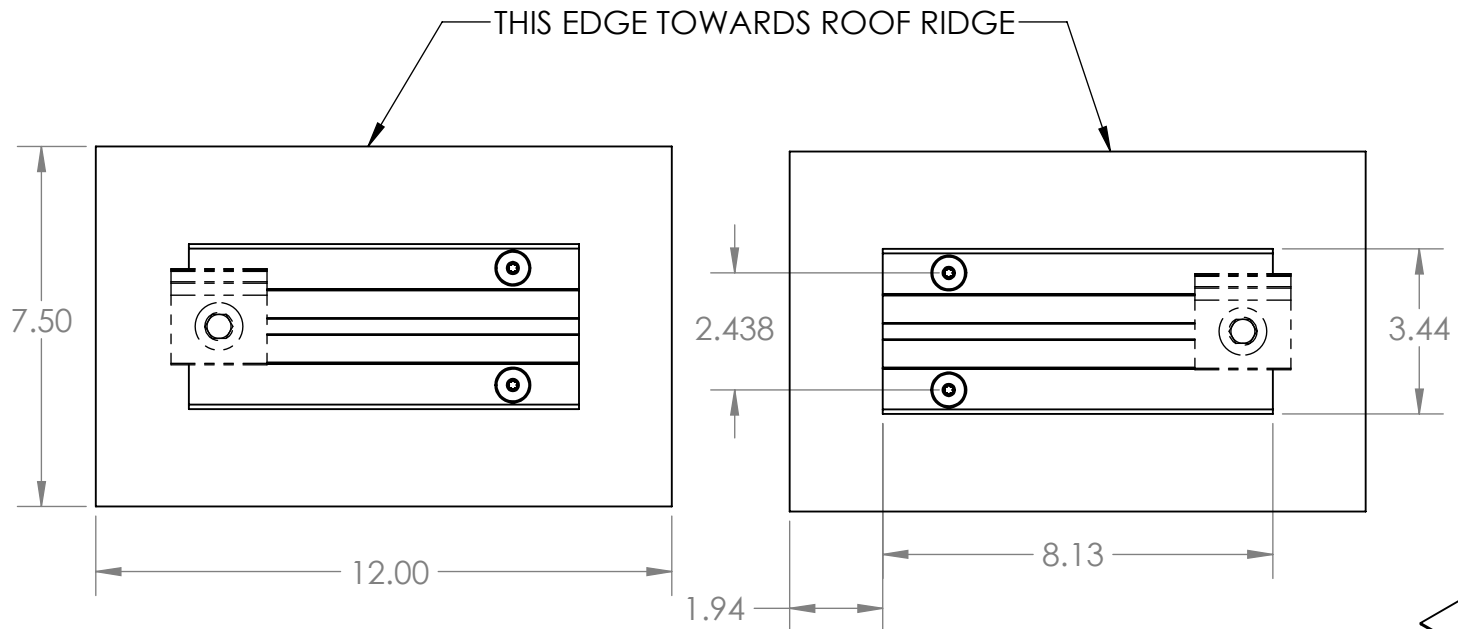
**Quick Mount PV<sup>®</sup>**

TITLE:  
**QMTR-BM: TILE REPLACEMENT,  
BASE MOUNT**

UNLESS OTHERWISE SPECIFIED: DIMENSIONS ARE IN INCHES TOLERANCES: FRACTIONAL ± 1/8 TWO PLACE DECIMAL ±.19 THREE PLACE DECIMAL ±.094	SIZE	DRAWN BY: RAD	REV
	<b>A</b>	DATE: 4/5/2019	<b>8</b>
	SCALE: 1:2	WEIGHT: 1.52	SHEET 1 OF 2

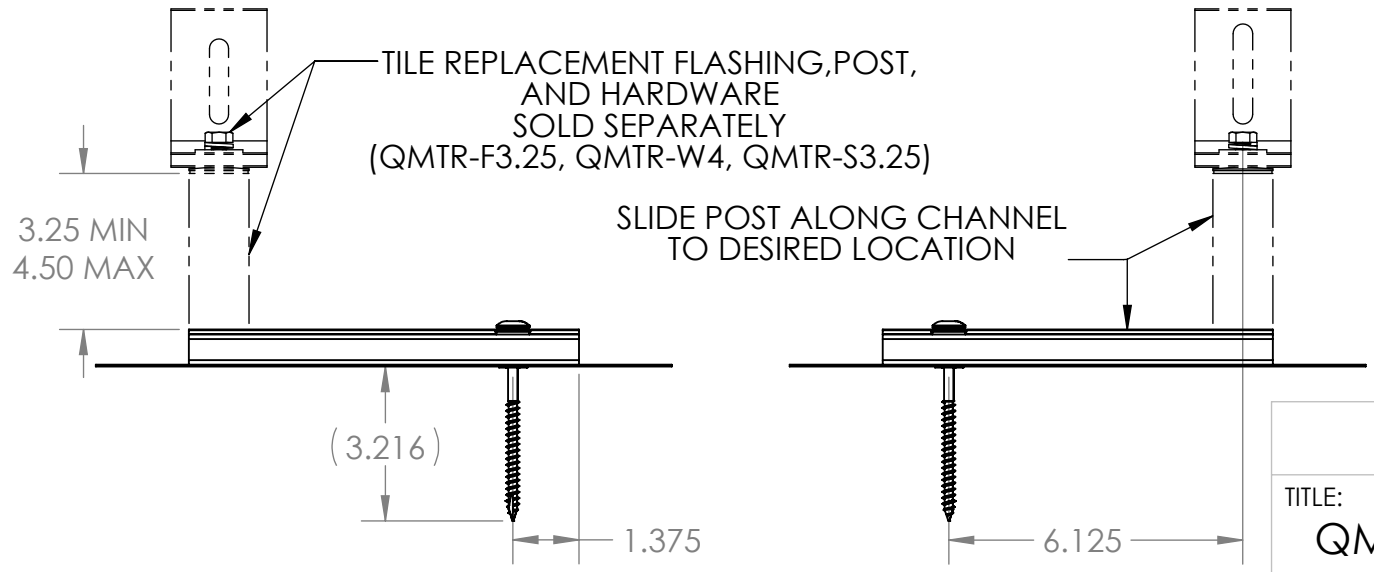
**PROPRIETARY AND CONFIDENTIAL**  
THE INFORMATION CONTAINED IN THIS DRAWING IS THE SOLE PROPERTY OF QUICK MOUNT PV. ANY REPRODUCTION IN PART OR AS A WHOLE WITHOUT THE WRITTEN PERMISSION OF QUICK MOUNT PV IS PROHIBITED. **COPYRIGHT © 2019 QUICK MOUNT PV**

DO NOT SCALE DRAWING



WEST ORIENTATION

EAST ORIENTATION



Quick Mount PV<sup>®</sup>

TITLE:  
**QMTR-BM: TILE REPLACEMENT,  
 BASE MOUNT**

UNLESS OTHERWISE SPECIFIED: DIMENSIONS ARE IN INCHES TOLERANCES: FRACTIONAL $\pm 1/8$ TWO PLACE DECIMAL $\pm .19$ THREE PLACE DECIMAL $\pm .094$	SIZE <b>A</b>	DRAWN BY: RAD	REV <b>8</b>
	SCALE: 1:4	DATE: 4/5/2019	WEIGHT: 1.52
		SHEET 2 OF 2	

PROPRIETARY AND CONFIDENTIAL  
 THE INFORMATION CONTAINED IN THIS DRAWING IS THE SOLE PROPERTY OF QUICK MOUNT PV. ANY REPRODUCTION IN PART OR AS A WHOLE WITHOUT THE WRITTEN PERMISSION OF QUICK MOUNT PV IS PROHIBITED. COPYRIGHT © 2019 QUICK MOUNT PV

DO NOT SCALE DRAWING