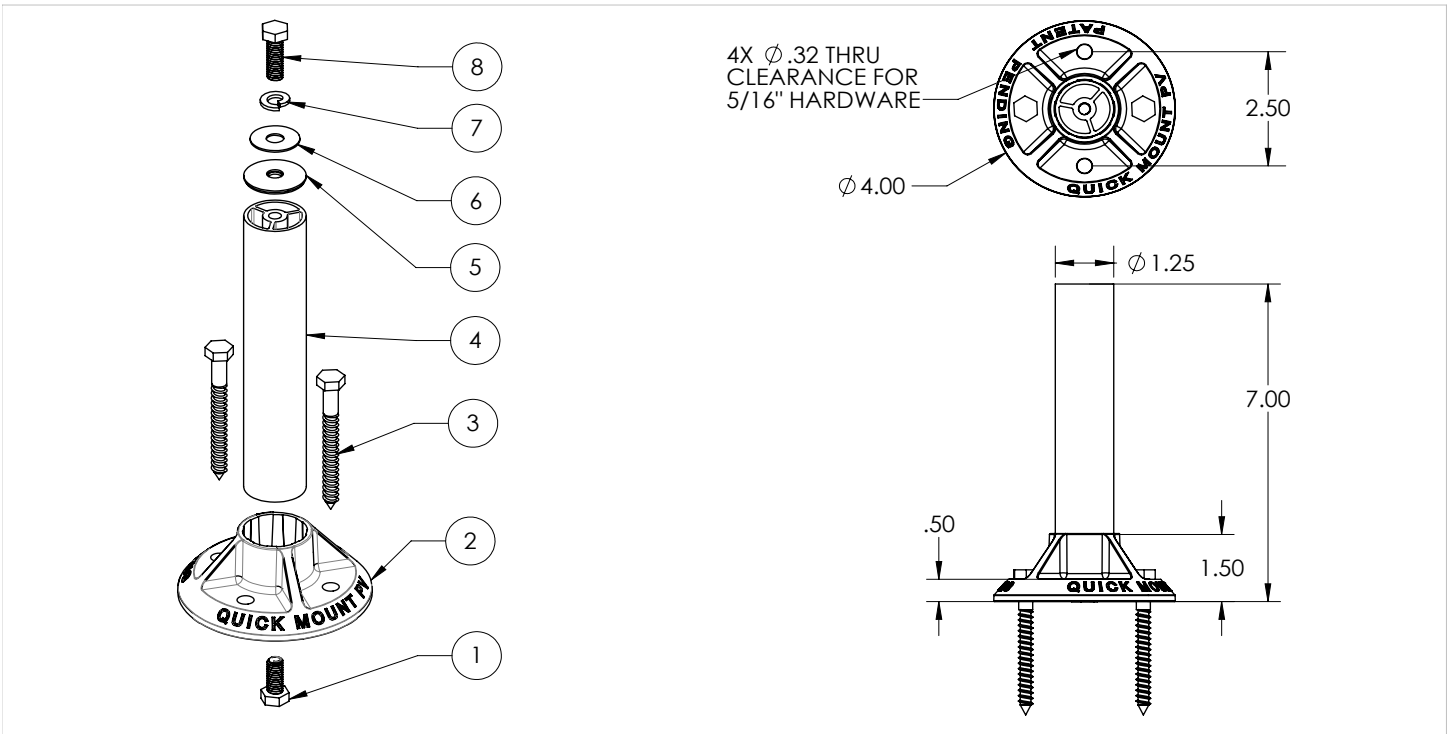


QBase Low Slope Mount | QMLSH



QBASE (ITEM 2) AND POST (ITEM 4)

ITEM NO.	DESCRIPTION	QTY.
1	CAP SCREW, HEX HEAD, 5/16"-18 X 3/4" UNC-2A, GRADE 8	1
2	QBASE, 1-1/4" ID, FOR 5/16" HARDWARE, A360.1 CAST AL	1
3	LAG SCREW, HEX HEAD, 5/16" X 3", ZINC	2
4	POST, 1.25" OD X 6.5", 6063-T5, MILL	1
5	WASHER, SEALING, 5/16" ID X 1-1/4" OD, EPDM BONDED SS	1
6	WASHER, FENDER, 5/16" ID X 1" OD, 18-8 SS	1
7	WASHER, SPLIT-LOCK, 5/16" ID, 18-8 SS	1
8	CAP SCREW, HEX HEAD, 5/16"-18 X 1", UNC-2A - 18-8 SS	1

Quick Mount PV[®]

TITLE:
QMLSH: QBASE LOW SLOPE MOUNT

UNLESS OTHERWISE SPECIFIED: DIMENSIONS ARE IN INCHES TOLERANCES: FRACTIONAL ± 1/16 TWO PLACE DECIMAL ± .02 THREE PLACE DECIMAL ± .005	SIZE	DRAWN BY: MPW	REV
	A	DATE: 7/20/2012	4
SCALE: 1:4	WEIGHT: 1.00	SHEET 1 OF 1	

PROPRIETARY AND CONFIDENTIAL THE INFORMATION CONTAINED IN THIS DRAWING IS THE SOLE PROPERTY OF QUICK MOUNT PV. ANY REPRODUCTION IN PART OR AS A WHOLE WITHOUT THE WRITTEN PERMISSION OF QUICK MOUNT PV IS PROHIBITED. DO NOT SCALE DRAWING

Lag pull-out (withdrawal) capacities (lbs) in typical lumber:

	Lag Bolt Specifications		
	Specific Gravity	2/ea 5/16" shaft per 2.5" thread depth	5/16" shaft per 1" thread depth
Douglas Fir, Larch	.50	1330	266
Douglas Fir, South	.46	1175	235
Engelmann Spruce, Lodgepole Pine (MSR 1650 f & higher)	.46	1175	235
Hem, Fir	.43	1060	212
Hem, Fir (North)	.46	1175	235
Southern Pine	.55	1535	307
Spruce, Pine, Fir	.42	1025	205
Spruce, Pine, Fir (E of 2 million psi and higher grades of MSR and MEL)	.50	1330	266

Sources: American Wood Council, NDS 2005, Table 11.2 A, 11.3.2 A

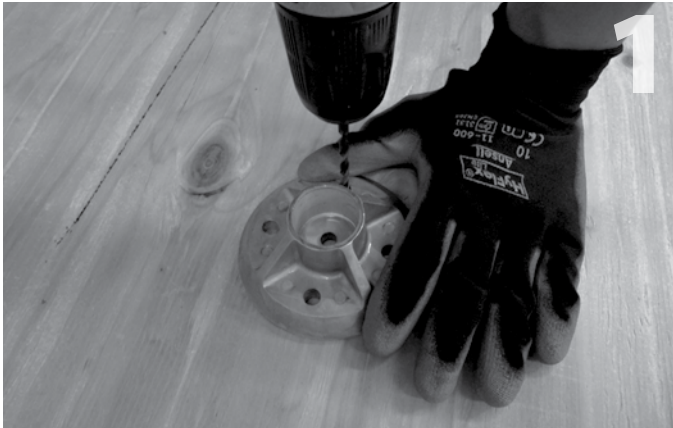
- Notes:**
- 1) Thread must be embedded in a rafter or other structural roof member.
 - 2) See IBC for required edge distances.



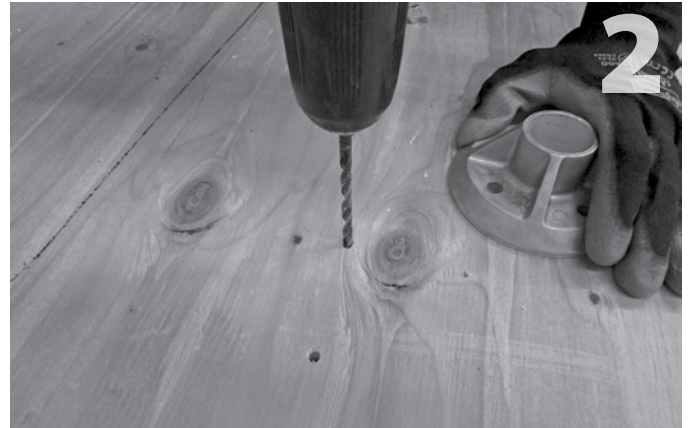
QBase Low Slope Mount Instructions

WARNING: Quick Mount PV products are NOT designed and should NOT be used to anchor fall protection equipment.

Installation Tools Required: Drill with 7/32" bit, impact gun with 1/2" socket, 1 tube of sealant compatible with roofing materials, pencil, chalk line



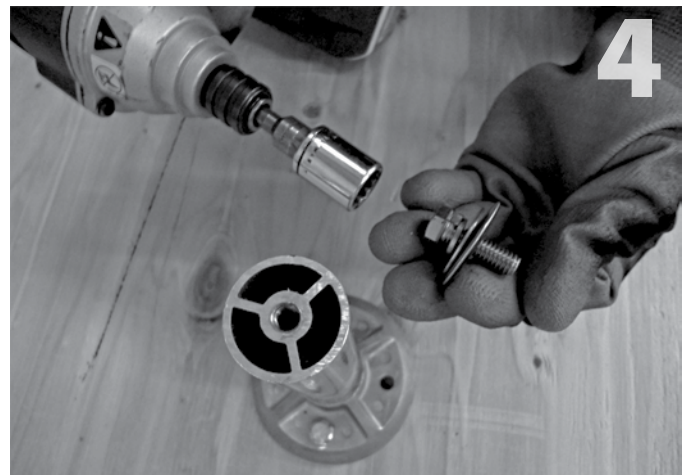
Locate the desired mount placement over a rafter (or custom wood blocking). Using the base as a template, mark the two penetration points with either a pen or light drilling. Use two opposing holes on the base plate, parallel to the structural member.



Drill both pilot holes with a 7/32-inch bit. Make sure to hold the drill square to the rafter. The lag bolts must be anchored into a structural member, so it is very important to hit the center of the rafter with your pilot holes. Fill the pilot holes with a sealant compatible with roofing materials.



Prior to attaching the base to the roof, place the grade-8 hex bolt (item 1) in the bottom of the base (item 2) and screw the post (item 4) in. This is easier than adding the post after securing the base to the roof. Attach the base/post assembly to the roof with two lag bolts (item 3).



Attach the hardware (items 5-8) to the top of the post. (Be sure to seal off the post from weather exposure with the sealing washer (item 5), in the interim before racks are installed.) You are now ready to flash the mount, roof around it, and attach racking. Aluminum flashings for built-up roofs are available from Quick Mount PV in 4" and 8" cones (sold separately). For membrane roofs, be sure to use manufacturer-specified flashing and utilize the services of a certified roofer.

Quick Mount PV®

925-478-8269 • www.quickmountpv.com • info@quickmountpv.com
2700 Mitchell Dr., Bldg 2 • Walnut Creek, CA 94598