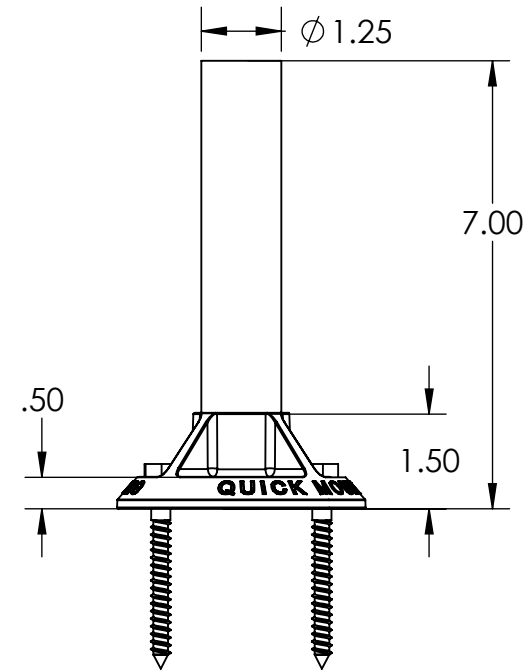
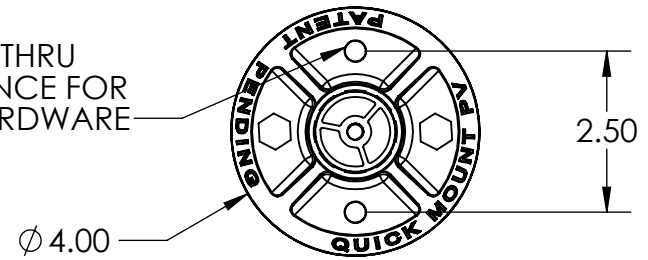


4X ϕ .32 THRU
CLEARANCE FOR
5/16" HARDWARE



QBASE (ITEM 2) AND POST (ITEM 4)

ITEM NO.	DESCRIPTION	QTY.
1	CAP SCREW, HEX HEAD, 5/16"-18 X 3/4" UNC-2A, GRADE 8	1
2	QBASE, 1-1/4" ID, FOR 5/16" HARDWARE, A360.1 CAST AL	1
3	LAG SCREW, HEX HEAD, 5/16" X 3", ZINC	2
4	POST, 1.25" OD X 6.5", 6063-T5, MILL	1
5	WASHER, SEALING, 5/16" ID X 1-1/4" OD, EPDM BONDED SS	1
6	WASHER, FENDER, 5/16" ID X 1" OD, 18-8 SS	1
7	WASHER, SPLIT-LOCK, 5/16" ID, 18-8 SS	1
8	CAP SCREW, HEX HEAD, 5/16"-18 X 1", UNC-2A - 18-8 SS	1

PROPRIETARY AND CONFIDENTIAL
THE INFORMATION CONTAINED IN THIS DRAWING IS THE SOLE PROPERTY OF QUICK MOUNT PV. ANY REPRODUCTION IN PART OR AS A WHOLE WITHOUT THE WRITTEN PERMISSION OF QUICK MOUNT PV IS PROHIBITED.

DO NOT SCALE DRAWING

Quick Mount PV[®]			
TITLE:			
QMLSH: QBASE LOW SLOPE MOUNT			
UNLESS OTHERWISE SPECIFIED: DIMENSIONS ARE IN INCHES TOLERANCES: FRACTIONAL \pm 1/16 TWO PLACE DECIMAL \pm .02 THREE PLACE DECIMAL \pm .005	SIZE	DRAWN BY: MPW	REV
	A	DATE: 7/20/2012	4
SCALE: 1:4	WEIGHT: 1.00	SHEET 1 OF 1	