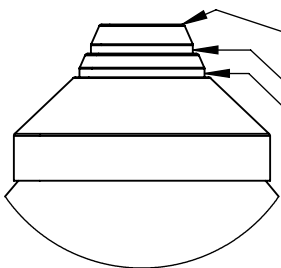
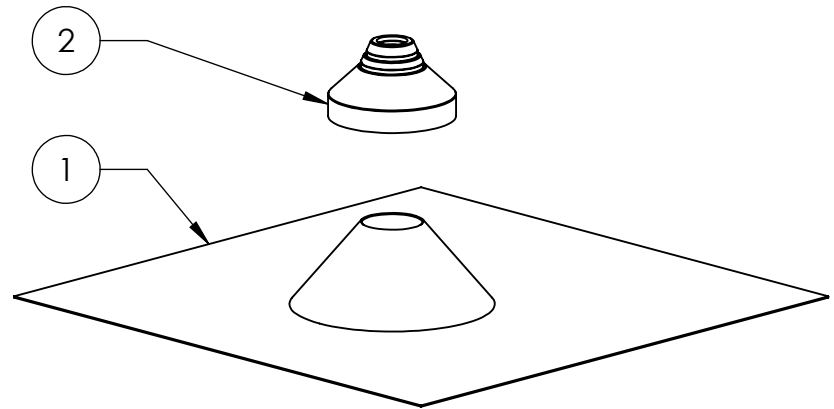


DETAIL A
SCALE 1 : 2



- TOP ID FOR 1/2" CONDUIT
- CUT HERE FOR 3/4" CONDUIT
- CUT HERE FOR 1" CONDUIT

APPLY EPDM COMPATIBLE SEALANT WHERE CONDUIT CONTACTS COUNTER FLASHING.



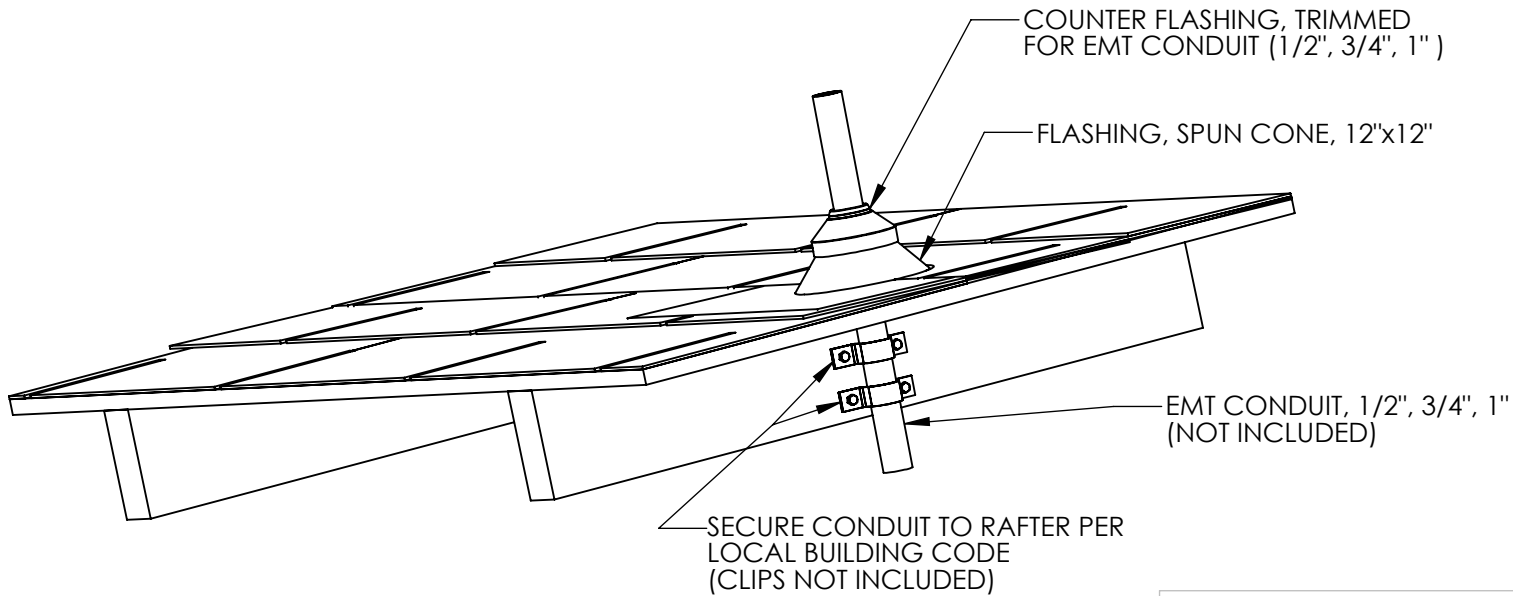
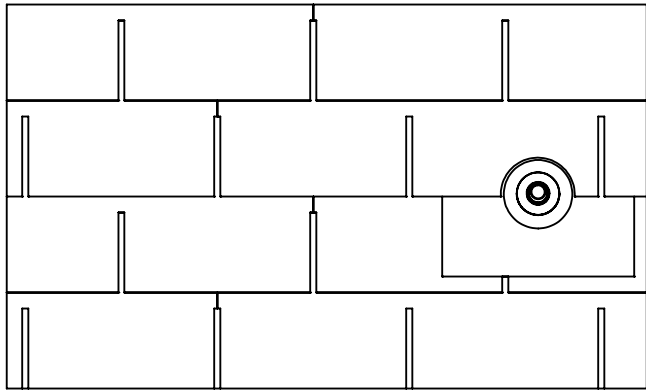
ITEM NO.	DESCRIPTION	QTY.
1	FLASHING, SPUN CONE, 12" X 12" X .032" - 3003 AL, MILL	1
2	COUNTER FLASHING, CONDUIT, 1/2", 3/4", 1", EPDM RUBBER	1

Quick Mount PV[®]

TITLE:
QMCPC-CONDUIT PENETRATION FLASHING-COMP

UNLESS OTHERWISE SPECIFIED:
DIMENSIONS ARE IN INCHES
TOLERANCES:
FRACTIONAL ± 1/8
TWO PLACE DECIMAL ± .18
THREE PLACE DECIMAL ± .125

SIZE A	DRAWN BY: RAD	REV 1
	DATE: 11/15/2012	
SCALE: 1:4	WEIGHT: 0.53	SHEET 1 OF 2



**"Controlled Document
Do Not Copy"**

Quick Mount PV[®]

TITLE:
**QMCPC-CONDUIT PENETRATION
FLASHING-COMP**

UNLESS OTHERWISE SPECIFIED: DIMENSIONS ARE IN INCHES TOLERANCES: FRACTIONAL $\pm 1/8$ TWO PLACE DECIMAL $\pm .18$ THREE PLACE DECIMAL $\pm .125$	SIZE	DRAWN BY: RAD	REV
	A	DATE: 11/15/2012	1
SCALE: 1:4	WEIGHT: NA	SHEET 2 OF 2	

PROPRIETARY AND CONFIDENTIAL
THE INFORMATION CONTAINED IN THIS DRAWING IS THE SOLE PROPERTY OF QUICK MOUNT PV. ANY REPRODUCTION IN PART OR AS A WHOLE WITHOUT THE WRITTEN PERMISSION OF QUICK MOUNT PV IS PROHIBITED.

DO NOT SCALE DRAWING

5

4

3

2

1