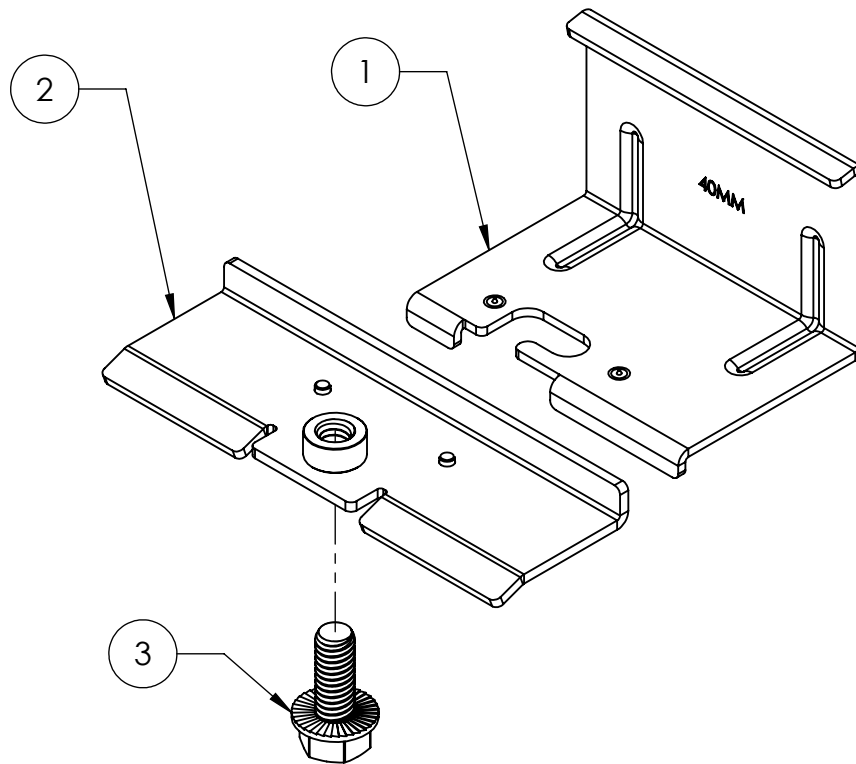
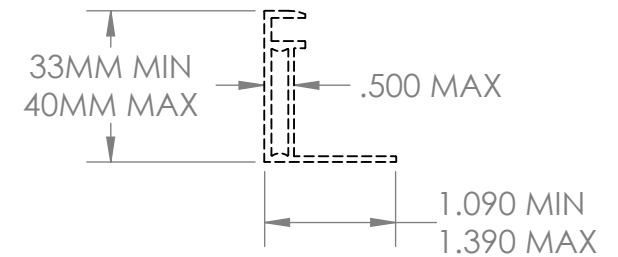
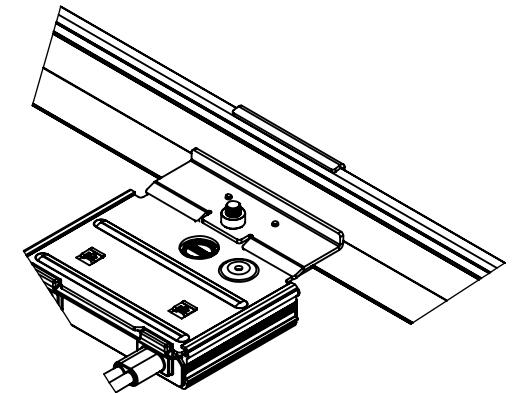
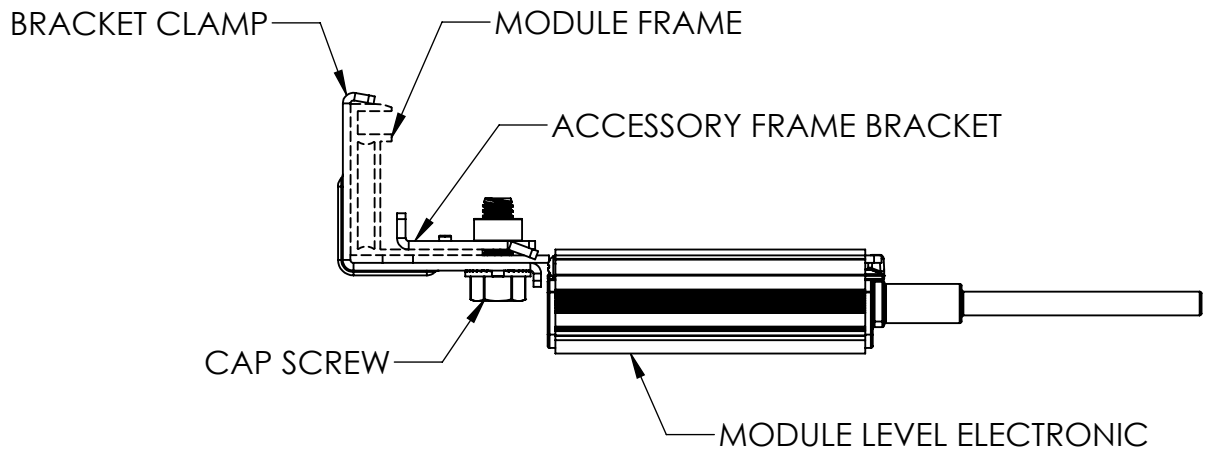
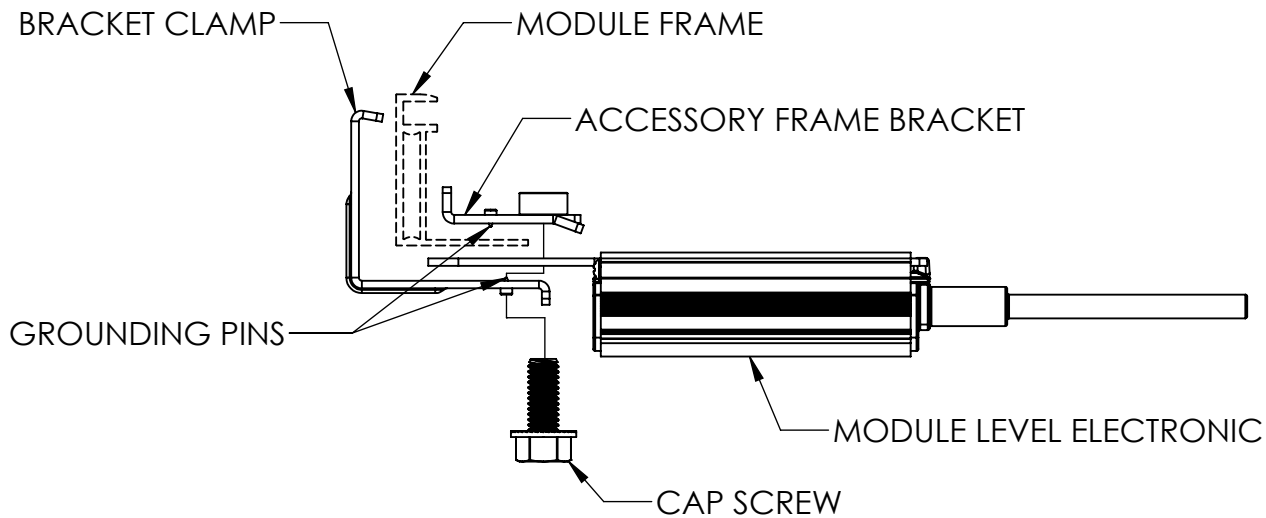


ITEM NO.	DESCRIPTION	QTY.
1	ACCESSORY FRAME CLAMP, 40MM, 5005-H34, BRONZE	1
2	ACCESSORY FRAME BRACKET, 5052-H32, MILL	1
3	CAP SCREW, SERRATED FLANGE, HEX HEAD, 5/16"-18 X 3/4", UNC-2A, 18-8SS	1

ITEM 1: AVAILABLE IN 33MM, 35MM AND 40MM VERSIONS
IN MILL AND BRONZE FINISHES



Quick Mount PV[®]			
TITLE: QMAFB: ACCESSORY FRAME BRACKET			
UNLESS OTHERWISE SPECIFIED: DIMENSIONS ARE IN INCHES TOLERANCES: FRACTIONAL $\pm 1/8$ TWO PLACE DECIMAL $\pm .19$ THREE PLACE DECIMAL $\pm .094$	SIZE A	DRAWN BY: RAD	REV 6
	SCALE: 2:3	DATE: 7/20/2016	WEIGHT: 3.83
		SHEET 1 OF 2	



ALLOWABLE MODULE
FRAME DIMENSIONS

Quick Mount PV[®]

TITLE:
**QMAFB: ACCESSORY FRAME
BRACKET**

UNLESS OTHERWISE SPECIFIED: DIMENSIONS ARE IN INCHES TOLERANCES: FRACTIONAL $\pm 1/8$ TWO PLACE DECIMAL $\pm .19$ THREE PLACE DECIMAL $\pm .094$	SIZE	DRAWN BY: RAD	REV
	A	DATE: 7/20/2016	6
SCALE: 1:2	WEIGHT: 3.83	SHEET 2 OF 2	