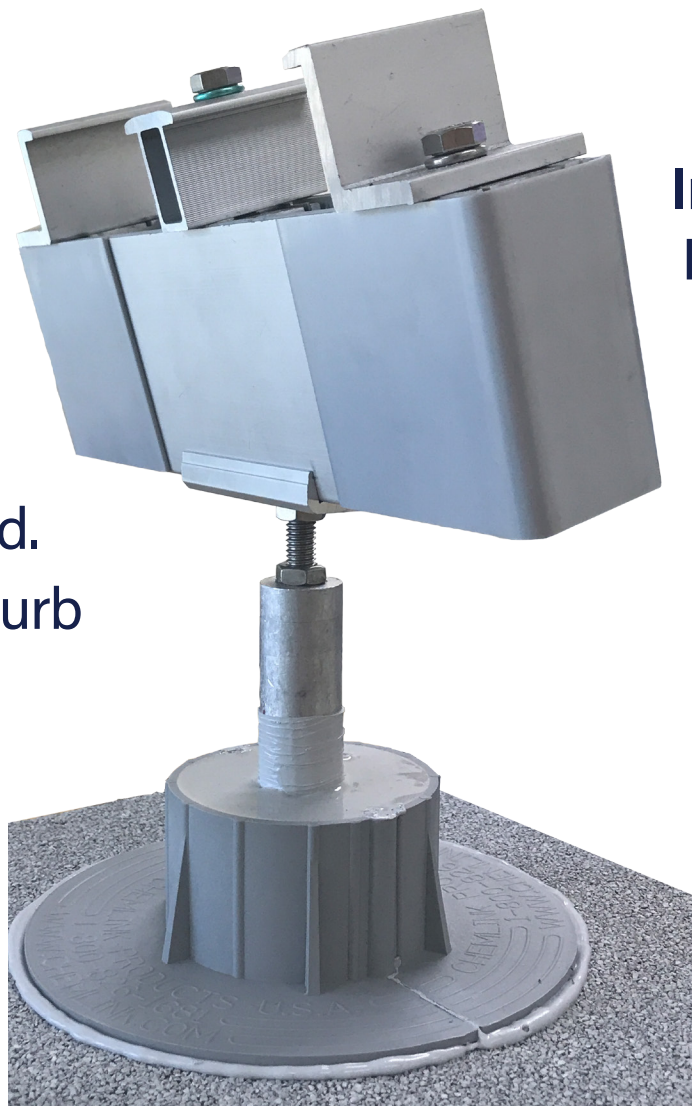


SolarWedge

SolarWedge® tilted racking system for flat (low-slope) roofs is available in 1°, 5°, 10°, or 15° tilt angles. It is Class A fire-rated for Type 1 and Type 2 modules with no height restrictions. Use with ProSolar's patented UL2703 self-bonding RoofTrac® rail and clamp technology for a simple, low cost, and reliable design.

- Low Cost.
- Easy to Install.
- Fully Engineered.
- Class A Fire Rated.
- ChemLink 3" E-Curb Compatible.



**Integrates with
RoofTrac® Rail
and Clamp
Technology**

**Available in
1°, 5°, 10°,
and 15° tilt
angles**



2-1/2" (Deep) Rail

72" Max Span

45 lbs/ft² Test Load

125 mph Equivalent Wind Speed



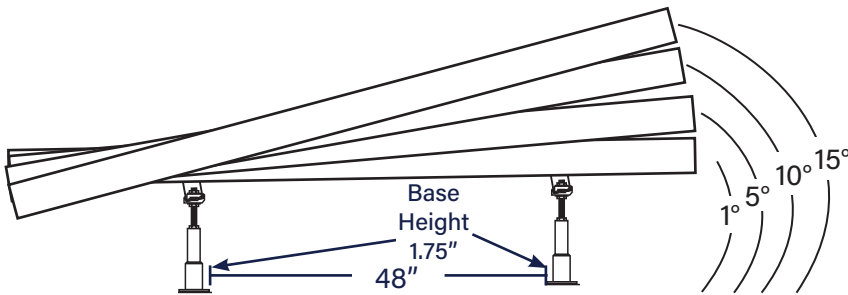
3" (Deep) Rail

96" Max Span

30 lbs/ft² Test Load

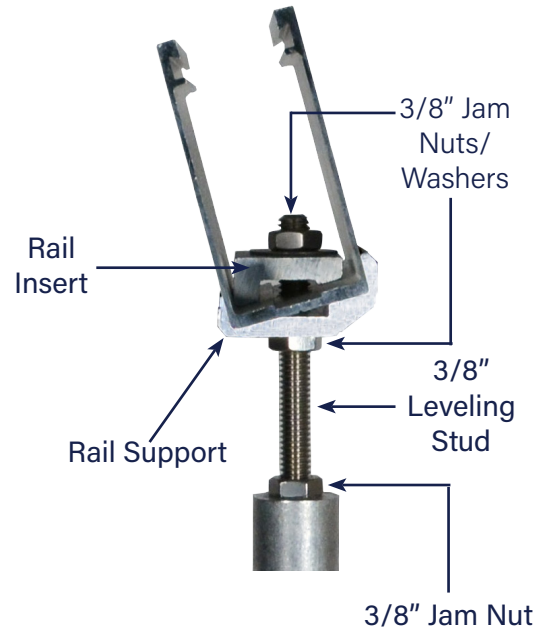
110 mph Equivalent Wind Speed

Side View



Front Post Height:
5.25" (all tilt angles)

Rear Post Height:
5.25" (1°); 8.25" (5°);
11.75" (10°); 16.25" (15°)



Parts List

(6 Front and Rear Post Pairs Per Box)

1" Diameter Short Front Post (6)



1" Diameter Tall Rear Post (6)

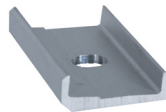


1-1/2" Diameter (1-3/4" Tall) Bases* (12)

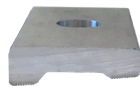


*Base Compatible with 2" Tall, 3" Diameter ChemLink E-Curb

Rail Support (12)



Rail Insert (12)



3" x 3" Aluminum Seal Plates (12)



3/8" SS Narrow OD Flat Washers (12)



3/8" SS Jam Nuts (36)



3/8" SS Flat Washers (24)



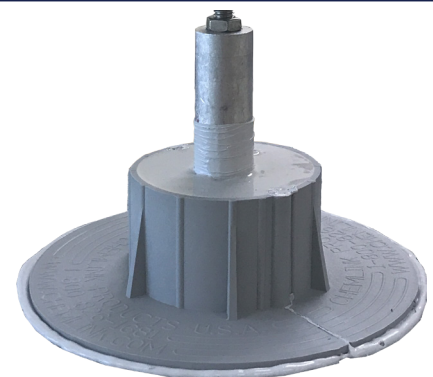
3/8" x 4" SS Leveling Studs (12)



Featuring: SolarWedge® Rail Lock



For locking rails in place during marking and hole drilling process



New! Lower-profile SolarWedge® Base compatible with ChemLink E-Curb
For use with: Granulated Modified Bitumen, Asphalt and Coal Tar BUR, PVC, EPDM, PIB, and TPO Roofing