



# Foam Jack™

Patent #6,360,491

Laboratory tested to  
**2,870 lbs.\***  
 (pullout)  
**2,615 lbs.\***  
 (axial side pull)

The patented design of the Fast Jack® is now available in an easy-to-foam version designed for use on commercial and metal rooftops! This industrial grade stanchion offers a full 2,870 lbs. of vertical strength using one 3/8" x 6" lag bolt!\* It also offers an impressive 2,615 lbs. of axial (side) strength. Like the Commercial and Residential Fast Jack®, the primary connection to the roof is made directly under the point of load. (Pat. #6,360,491)

The Foam Jack™ base accepts one fastener up to 3/8" diameter. The post is available in a 1/2" thread version which fully integrates with commercially available steel strut using the optional Commercial Leveling Kit. The 3/8" threaded post version integrates with the Roof Trac® support rail.

## 6" High-1/2" Threaded Post

Part# FMJ-612L (Lag Bolt Version)

Part# FMJ-612T (Self tapping Screw Version)

For use with the 1/2" commercial leveling kit (sold separately)

## 6" High-3/8" Threaded Post

Part# FMJ-638L (Lag Bolt Version) *Pictured Left*

Part# FMJ-638T (Self tapping Screw Version)

Use this version when setting the Roof Trac® support rail directly on the post.

## Leveling kit

Part# CFJ-LEVEL

For use with the FMJ-612L & FMJ-612T in conjunction with standard outdoor rated strut to adjust for minor roof variances

## Benefits of the Foam Jack™

- Patented design locates the lag bolt or self tapping screw directly under the removable post for superior strength
- Use of foam versus a flashing provides leak-free connections at a fraction of the cost of conventional flashings
- Precision machined from extruded aluminum and tumbled clean for proper foam adhesion
- Significantly lighter than steel for installer convenience and reduced shipping costs
- Cylinder base design allows for even distribution of foam around the stanchion

## LEVELING OPTION

PART #FMJ-612L / #FMJ-612T

Like the best-selling Commercial Fast Jack®, the Foam Jack™ is available in a 1/2" thread version to accept the Commercial Leveling Kit.

Used for mounting:

- Solar Panels
- Communication Equipment
- Virtually anything needing structural attachment to a roof!

professional  
**SOLAR**  
 products inc.

(800) 84-SOLAR  
 (805) 486-4700  
 (805) 486-4799 - fax  
 1551 S. Rose Ave.  
 Oxnard, CA 93033

View more info on our website at:  
[www.prosolar.com](http://www.prosolar.com)

## TYPICAL INSTALLATION SEQUENCE FOR FOAMING:

Step 1: Locate rafter/beam

Step 2: Use drill guide (sold separately) to drill a pilot hole.

Step 3: Install base using appropriate fastener

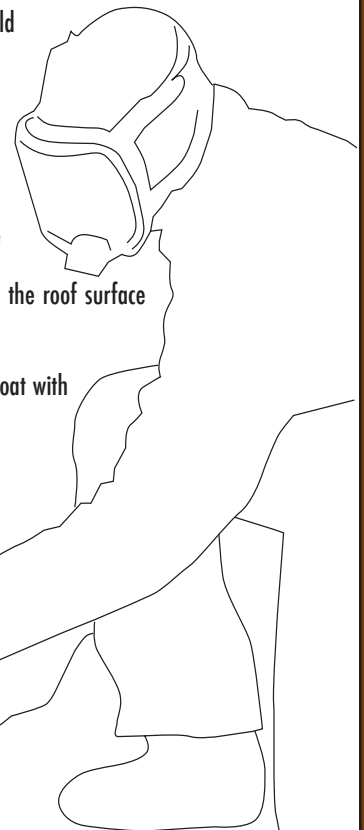
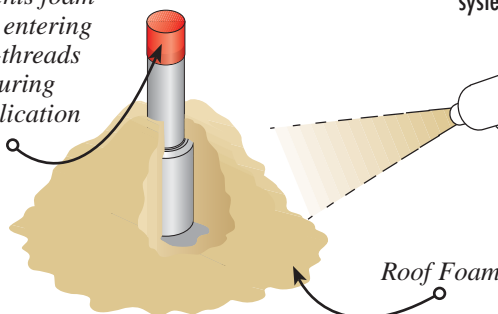
Step 4: Place red cap on post and securely attach to base

Step 5: Clean and prepare the roof surface then foam the stanchion

Step 6: When foam is dry, coat with UV paint

Step 7: Install your Rooftrac system!

Plastic cap (included) prevents foam from entering top-threads during application



\*Tested using a 3/8" x 6" Stainless Steel Lag bolt in a 4" x 6" Douglas Fir wood beam.

All artwork is ©2005 Professional Solar Products, Inc. Duplication of artwork unless otherwise authorized in writing by Professional Solar Products, Inc. is strictly prohibited.

# Specifications

## Test Data Available

Pull tested by an independent and accredited ICC approved testing laboratory to 2,870 lbs vertical and 2,615 axial (side) pull. Test conducted with a 3/8" x 6" lag bolt in a 4" x 6" Douglas Fir wood beam. Test report available upon purchase.

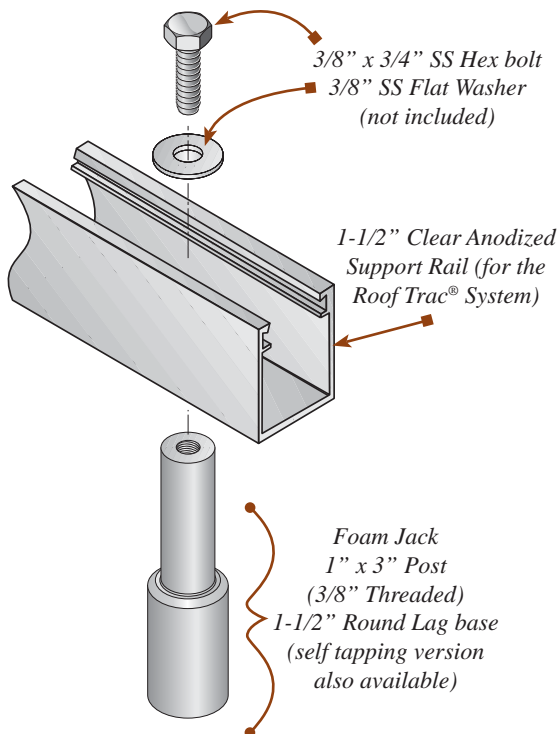
## Measurements / Specifications

- BASE:** 1.5" dia. x 2.6" #6061 Aluminum
- 1/4" hole for self tapping-screw base
  - 3/8" hole for lag bolt base
- POSTS:** 1" dia. x 3" #6061 Aluminum
- 3/8" drilled & tapped (non-leveling version)
  - 1/2" threaded 2" deep (leveling version)

**HARDWARE:** Red Plastic caps included - installer to supply appropriate fasteners. Leveling kits are available upon request

- LEVELING KIT:** leveling kit components
- 1/2" x 4" Stainless Steel all-thread (qty. 1)
  - 1/2" Stainless Steel hex nuts (qty. 3)
  - 1/2" Stainless Steel flat washers (qty. 2)
  - 2" x 3" Anodized aluminum strut support (qty. 1)

## INSTALLATION FOR NON-LEVELING VERSION EXPLODED VIEW



## DRILL GUIDE

PART #FMJ-DRILL

Optional drill guide available with hardened drill guide bushing. Using the drill guide insures the installer will create a perfectly straight pilot hole into the rafter or structural member greatly enhancing strength.

## INSTALLATION FOR LEVELING KIT VERSION - EXPLODED VIEW

