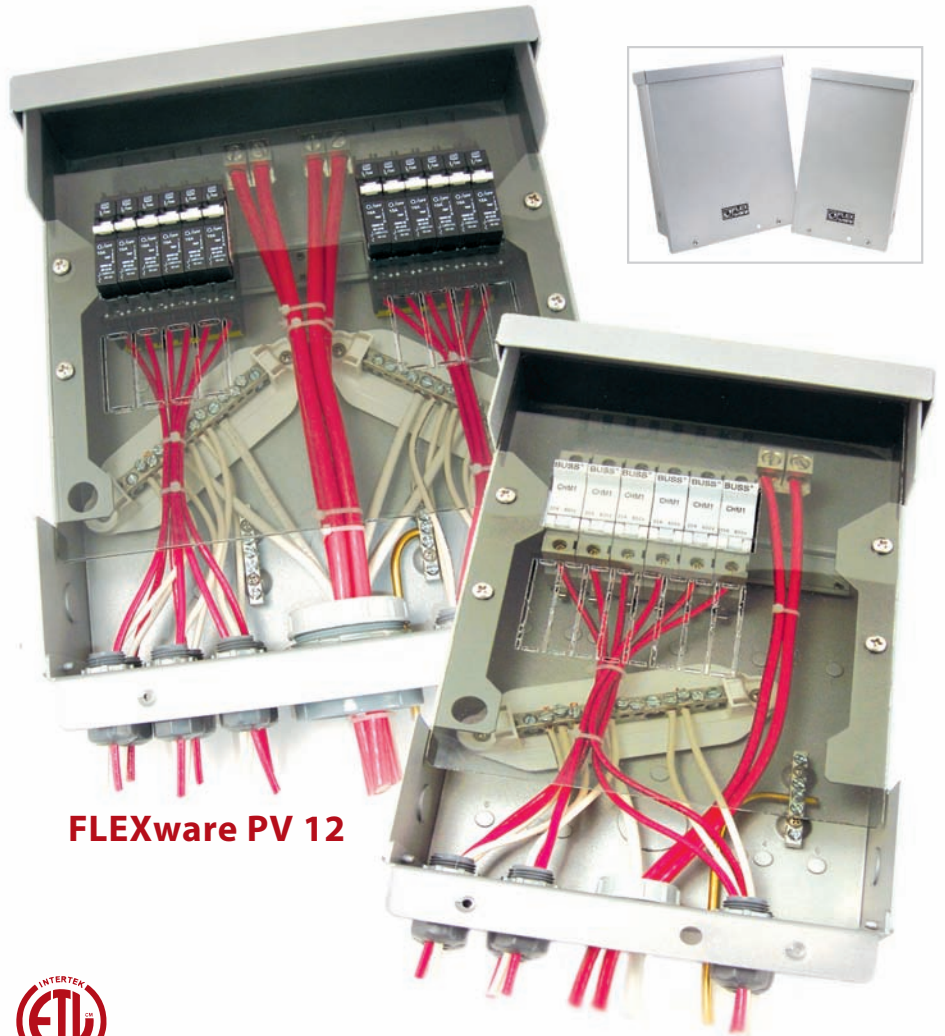




# FLEXware™ PV

Advanced Photovoltaic Combiner

- Combine Multiple Strings from a Single Array
- Outdoor Rain-Resistant Aluminum Enclosure
- Optimized Wire Routing For Easy Installation
- Tinted Flame-Retardant Polycarbonate Deadfront Panel
- Generous Wiring Conduit Knockouts
- Wall, Roof or Pole Mountable
- Accommodates dual 2/0 AWG output wiring
- Accommodates 150VDC DC Breakers or 600 VDC Fuses



**FLEXware PV 12**

**FLEXware PV 8**



The OutBack Power Systems FLEXware PV Series Combiner Box sets the new standard for PV balance-of-system hardware. Ideal for both small or large systems, the FLEXware PV8 and FLEXware PV12 accommodates the overcurrent protection requirements of your application. From 150VDC breakers for low voltage PV systems, to 600VDC fuse holders for high voltage PV systems, the FLEXware PV Combiner series handles it all.

Designed to survive in outdoor environments, the rainproof, UL type 3R powder coated aluminum chassis can be mounted on a wall, sloped roof or pole. The unique

angled negative terminal bus bar design makes wiring fast and easy without the common problem of larger output conductors blocking access to the smaller input terminals. Dual output lug terminals are included for up to 2/0 AWG conductors. The tinted flame-retardant polycarbonate deadfront panel creates a clean appearance while preventing accidental contact with the live terminals and is easily removable during installation.

The FLEXware PV Series Combiner Box makes it easy to take your installation to the next level.

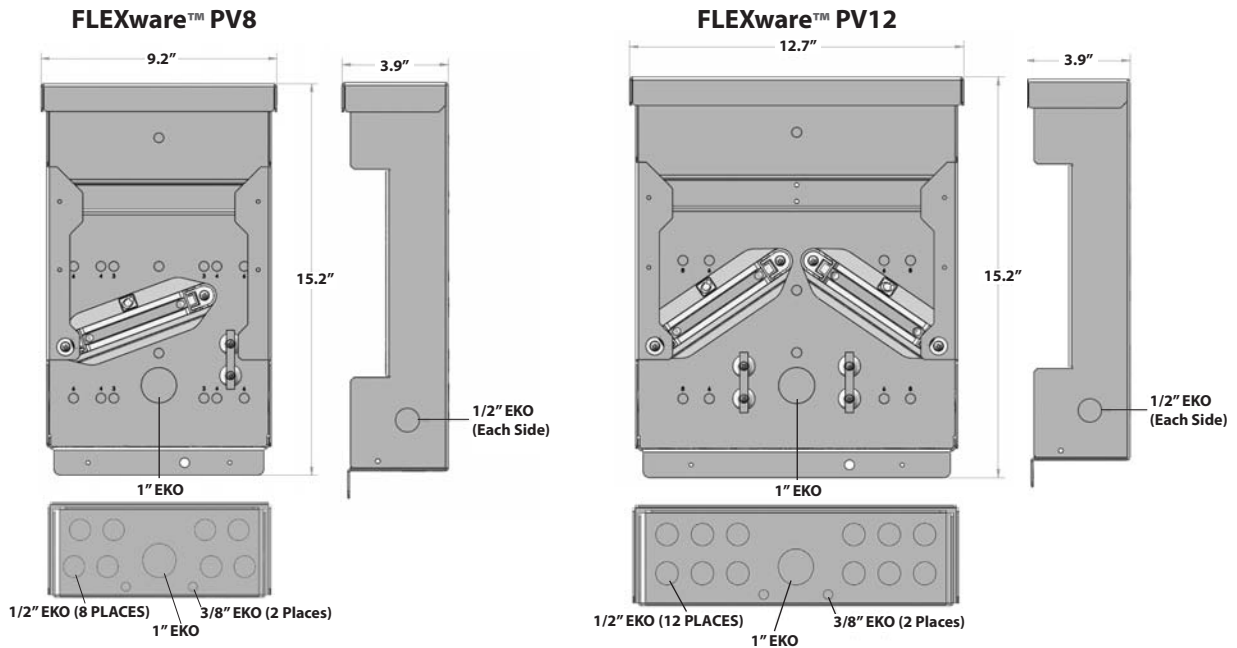


[www.outbackpower.com](http://www.outbackpower.com)

# FLEXware™ PV Specifications

	FWPV-8	FWPV-12
<b>Enclosure Material</b>	Powder coated aluminum with stainless steel hardware	Powder coated aluminum with stainless steel hardware
<b>Mounting Options</b>	Vertical wall mount, pole mount or sloped roof mount to 14 degrees incline (3 in 12 roof pitch)	Vertical wall mount, pole mount or sloped roof mount to 14 degrees incline (3 in 12 roof pitch)
<b>Enclosure Rating</b>	Outdoor Rainproof, UL Type 3R	Outdoor Rainproof, UL Type 3R
<b>Enclosure Security</b>	Padlock hole in chassis and cover for up to 3/8 inch pad lock	Padlock hole in chassis and cover for up to 3/8 inch pad lock
<b>Output Terminals</b>	#14 - 2/0 AWG (2.08 - 67.43 mm <sup>2</sup> ) Two box lug terminals included	#14 - 2/0 AWG (2.08 - 67.43 mm <sup>2</sup> ) Four box lug terminals included
<b>Number of separate circuits</b>	One Circuit	One or Two Circuits
<b>Number of 150VDC breakers</b>	up to 8	up to 12 (two groups of six)
<b>Number of 600VDC fuse holders</b>	up to 6	up to 8 (two groups of four)
<b>Input Terminal</b>	150VDC Breakers / #14 - 6 AWG (2.08 - 13.3 mm <sup>2</sup> ) 600VDC Fuse / #14 - 10 AWG (2.08 - 5.26 mm <sup>2</sup> )	150VDC Breakers / #14 - 6 AWG (2.08 - 13.3 mm <sup>2</sup> ) 600VDC Fuse / #14 - 10 AWG (2.08 - 5.26 mm <sup>2</sup> )
<b>Dimensions</b>	Unit (H x W x D) 15.2 x 9.2 x 3.9" (38.7 x 23.3 x 9.9 cm) Shipping (H x W x L) 4.3 x 9.5 x 19" (10.9 x 24.1 x 48.3 cm)	Unit (H x W x D) 15.2 x 12.7 x 3.9" (38.7 x 32.2 x 9.9 cm) Shipping (H x W x L) 4.3 x 13 x 19" (10.9 x 33 x 48.3 cm)
<b>Weight</b>	Unit 4.4 lbs (2.0 kg) Shipping 5.5 lbs (2.5 kg)	Unit 5.9 lbs (2.7 kg) Shipping 7.4 lbs (3.3 kg)
<b>Certifications</b>	ETL Listed to UL1741, UL67, CSA22.2 #29	ETL Listed to UL1741, UL67, CSA22.2 #29

\*Specifications subject to change without notice



Available From:



**Main Office:**  
19009 62nd Avenue NE  
Arlington, WA 98223 USA  
Phone: (360) 435.6030  
Fax: (360) 435.6019

**European Office:**  
BARCELONA, España  
Phone: +34.93.654.9568

[www.outbackpower.com](http://www.outbackpower.com)

980-0015-01-00 REV B