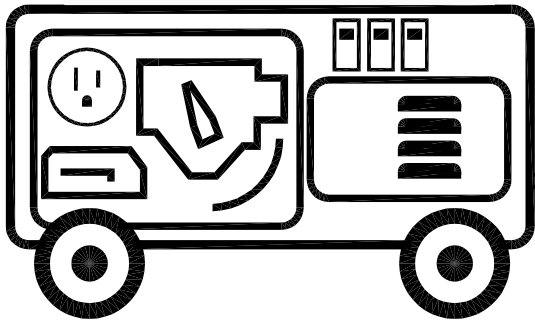
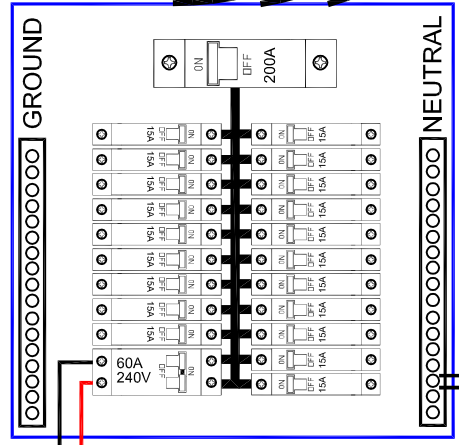
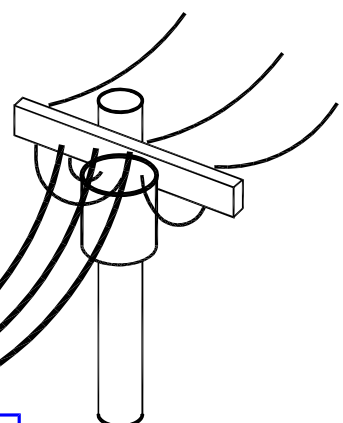


240VAC
GENERATOR



MAIN SERVICE
ENTRANCE



INVERTER

