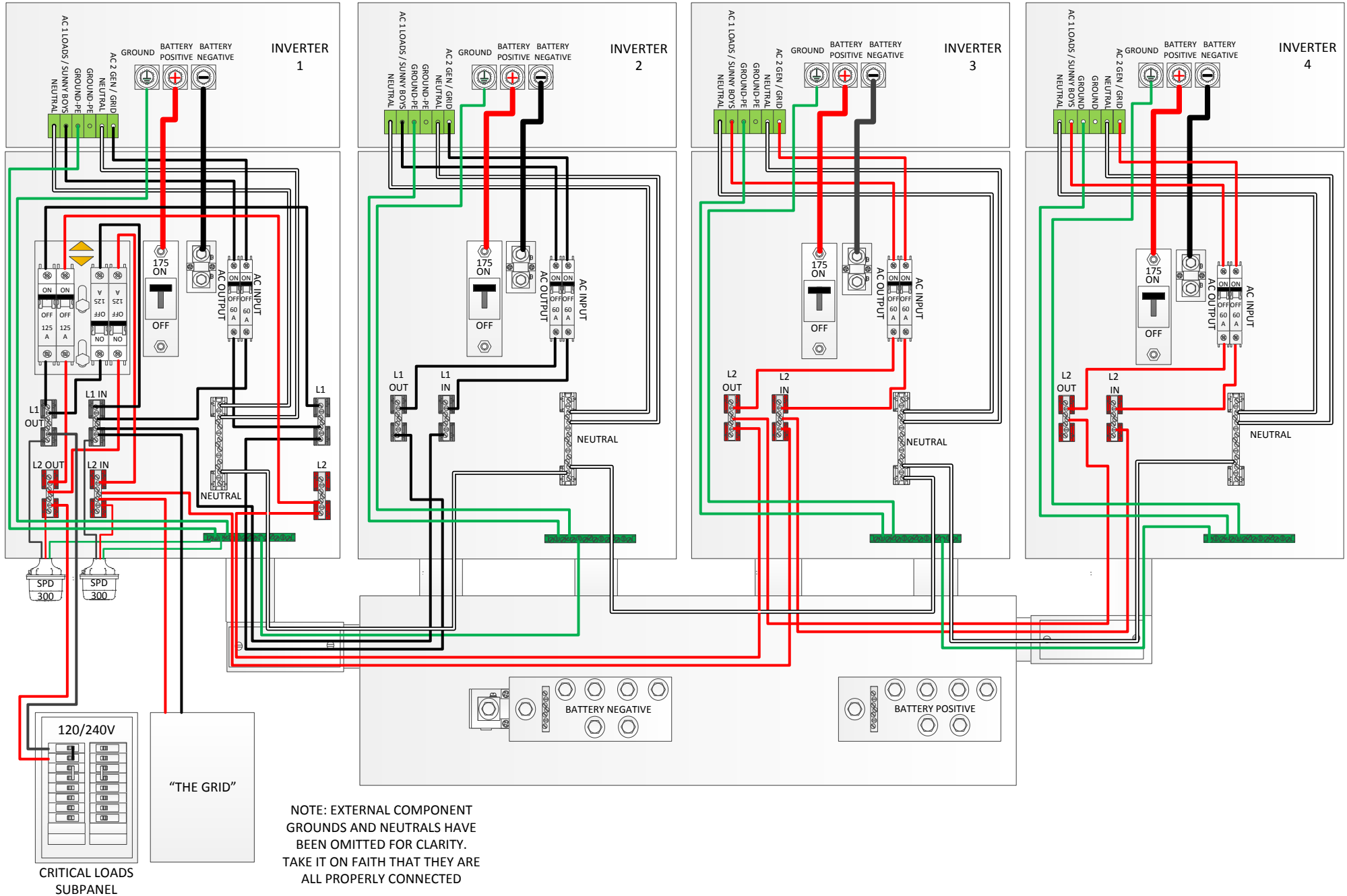




DRAWN BY T. CARPENTER 11/30/12

# SMA QUAD STACK WITH BATTERY COMBINER / DISTRIBUTION BOX AC WIRING DRAWING 1 OF 2



NOTE: EXTERNAL COMPONENT  
GROUNDS AND NEUTRALS HAVE  
BEEN OMITTED FOR CLARITY.  
TAKE IT ON FAITH THAT THEY ARE  
ALL PROPERLY CONNECTED



DRAWN BY T. CARPENTER 1/3/12

# SMA QUAD STACK WITH BATTERY COMBINER / DISTRIBUTION BOX

## DC WIRING

### DRAWING 2 OF 2

