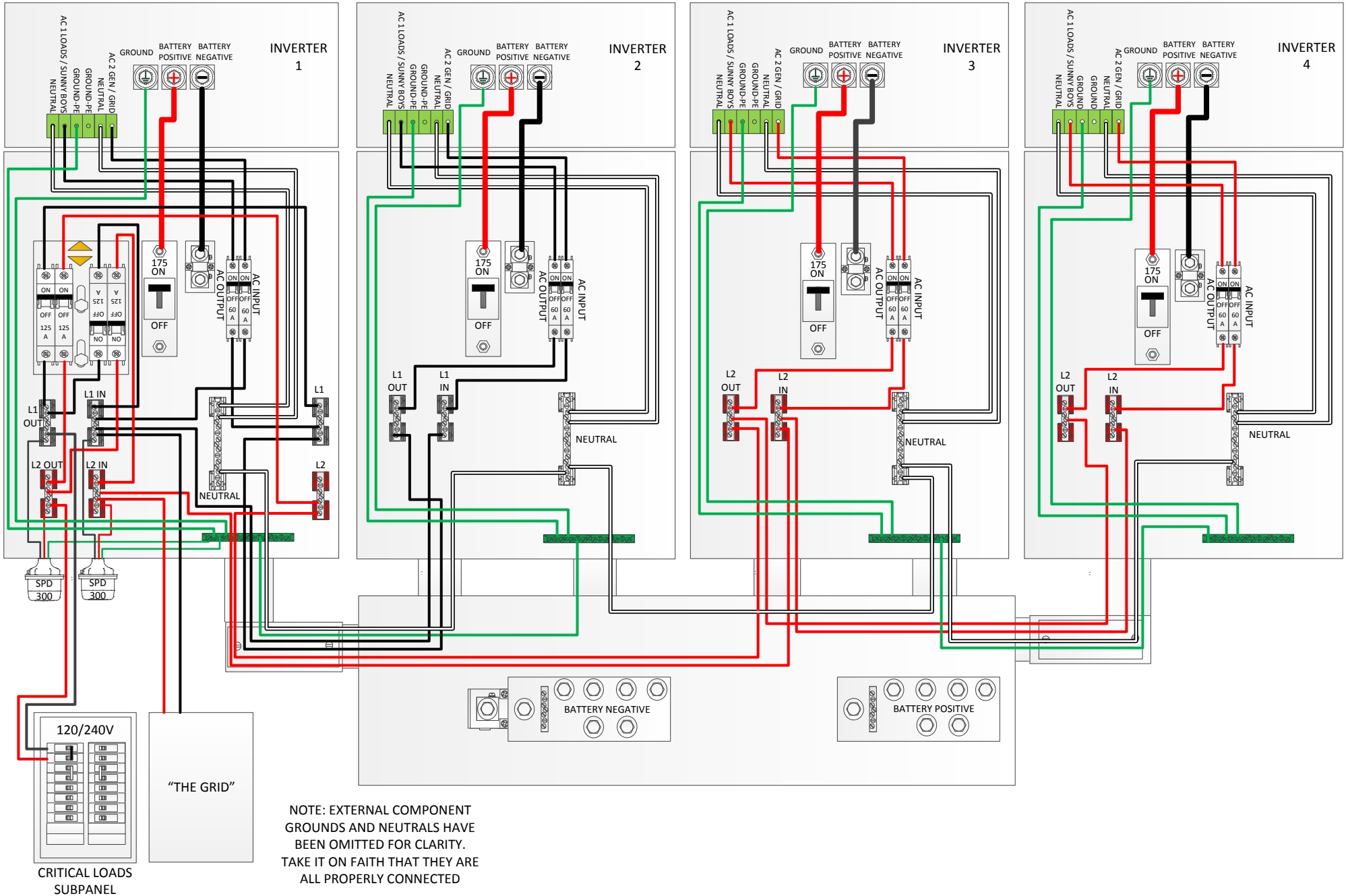




DRAWN BY T. CARPENTER 11/30/12

# SMA QUAD STACK WITH BATTERY COMBINER / DISTRIBUTION BOX AC WIRING DRAWING 1 OF 2





DRAWN BY T. CARPENTER 1/3/12

# SMA QUAD STACK WITH BATTERY COMBINER / DISTRIBUTION BOX

## DC WIRING

### DRAWING 2 OF 2

