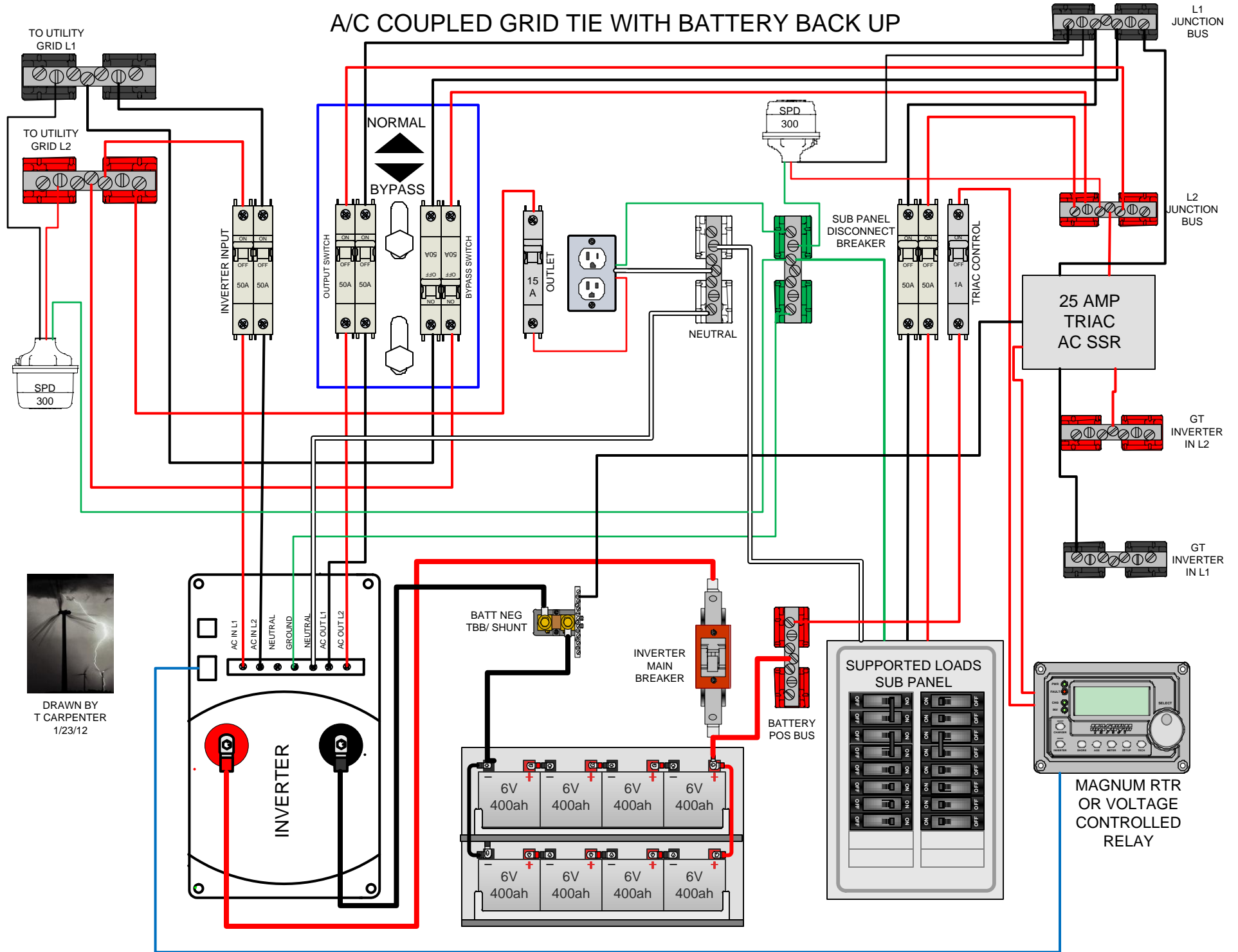


A/C COUPLED GRID TIE WITH BATTERY BACK UP



DRAWN BY
T CARPENTER
1/23/12