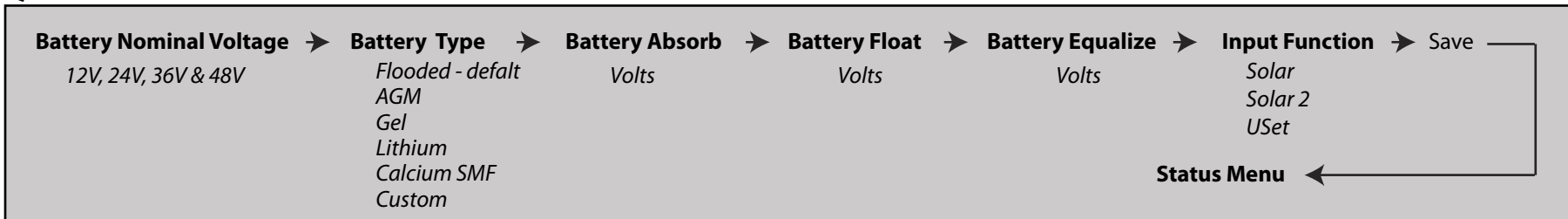
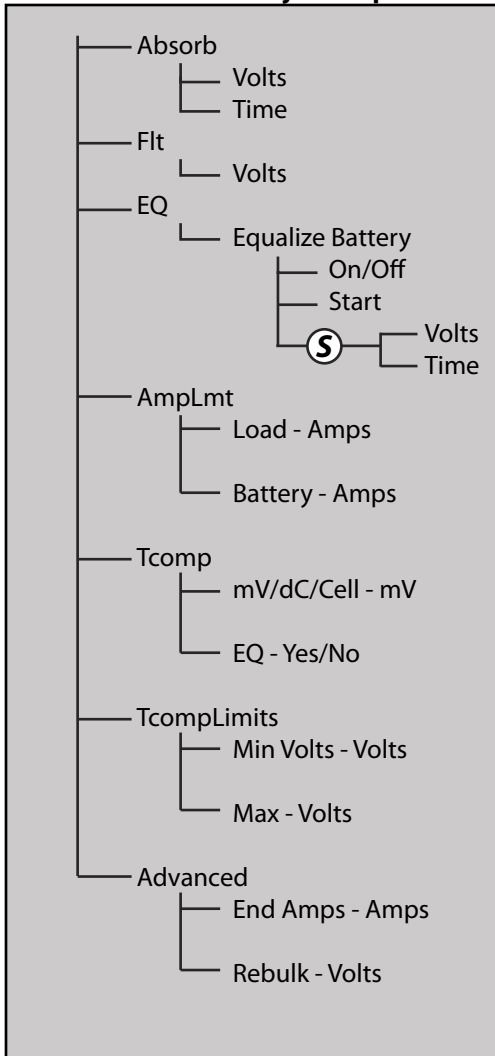


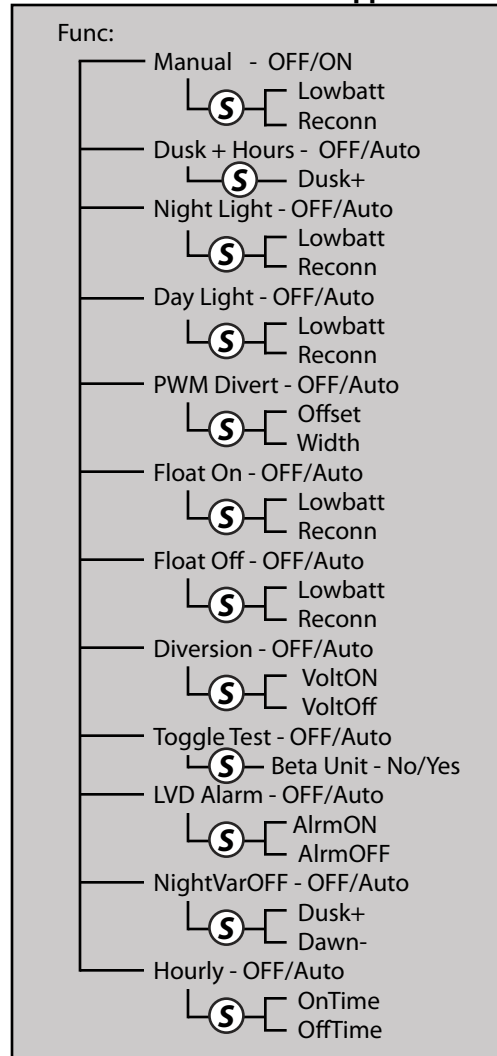
## QUICK START SETUP



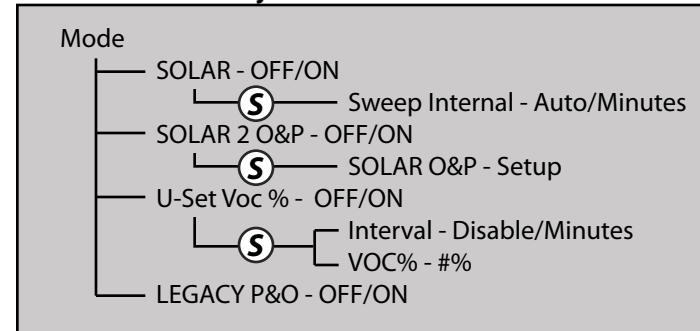
### BATTERY MENU - Adjust Setpoints



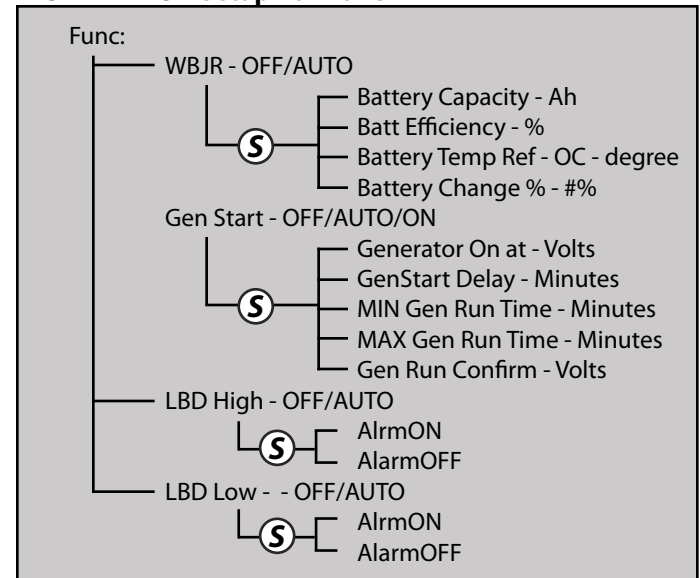
### LOAD MENU - Set Load/Clipper



### INPUT MENU - Adjust MPPT Mode



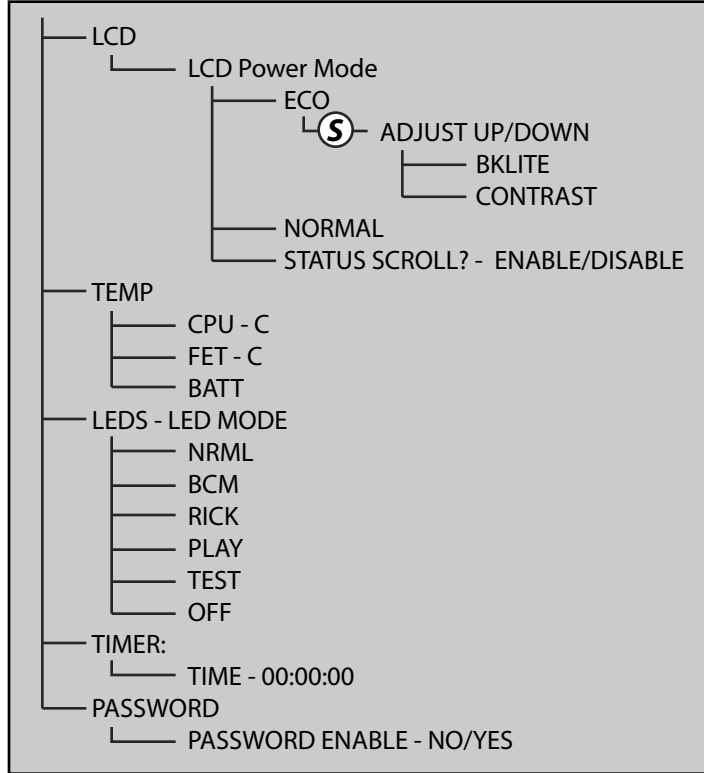
### AUX MENU - Setup Aux Func



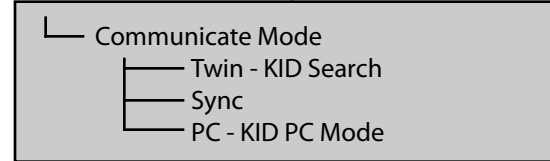
**S** Symbolizes the SETUP button being pushed.



**MISC MENU - Other Stuff**



**COMM MENU - Multiple Units**



**SETUP**

Displays the adjustable parameters of the specific function selected.

**SAVE**

Saves all the modified functions and parameters.

**ENTER**

Enters the selected menu item.

**STATUS**

Displays the current Status of the Kid. Press once to go back to the previous status screen, press twice to go to main status.

**MENU/BACK**

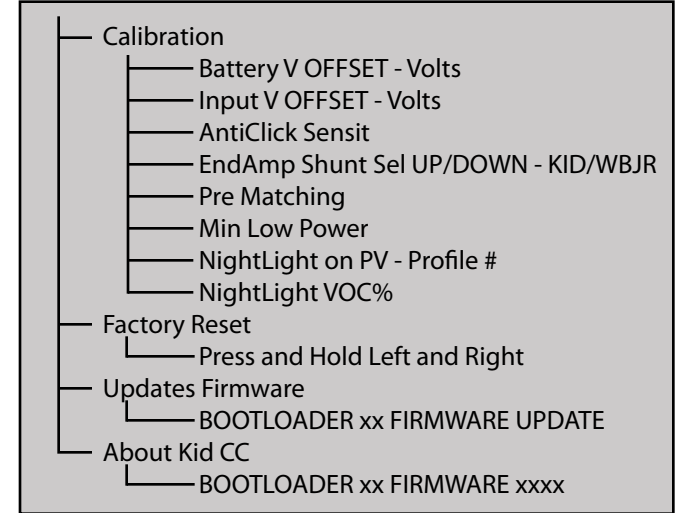
When pressed from Status Menu, it will go to Main Menu. If inside a menu it is used to go back one menu.

**UP, DOWN, LEFT & RIGHT ARROWS**

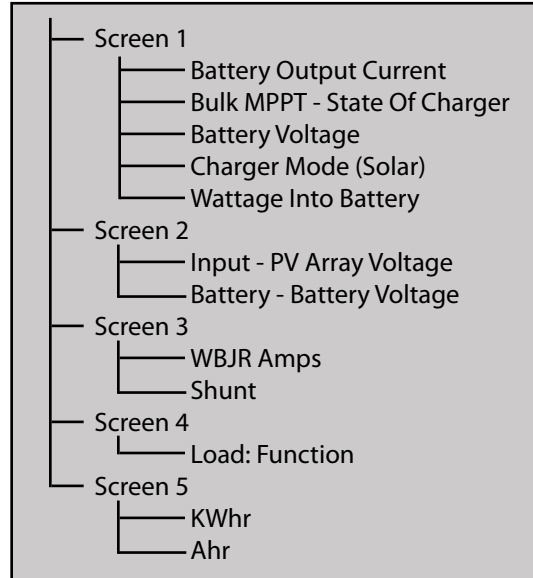
Used to navigate the menus, select and modify the functions.

**S** Symbolizes the SETUP button being pushed.

**TECH MENU - Advanced Menu**

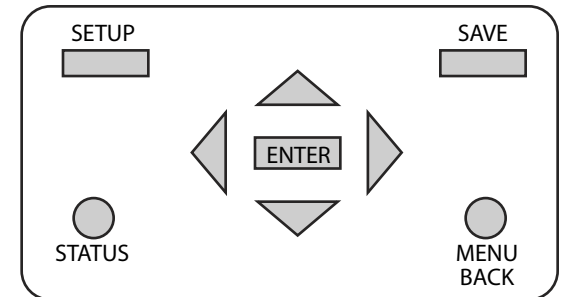


**STATUS MENU**



Pushing the right/left arrow button will cycle through the Status Menu screens.

**KID NAVIGATION PANEL**



[www.midnitesolar.com](http://www.midnitesolar.com)  
 17722 - 67th Ave NE, Arlington, WA 98223  
 PH 360-403-7207 FAX 360-691-6862