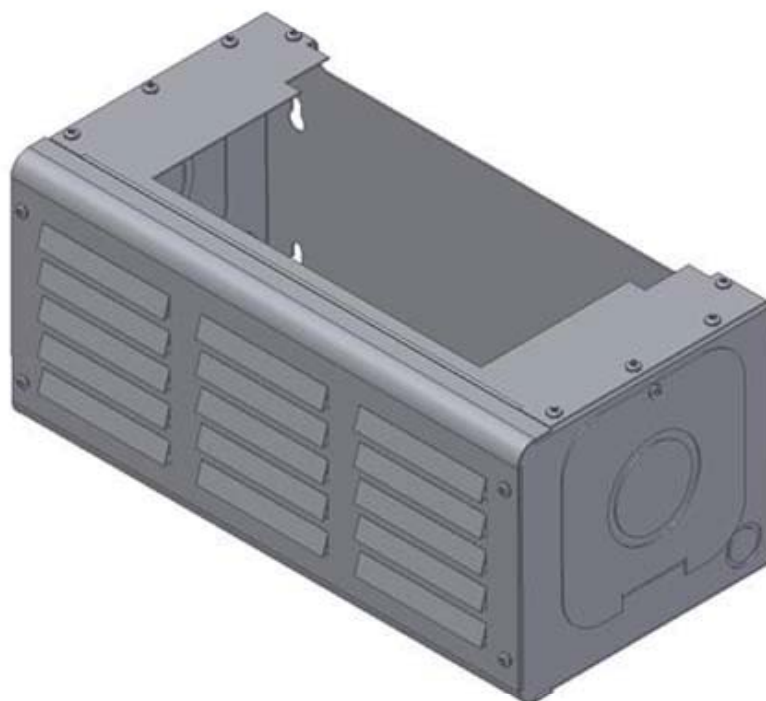




# MPX-CB

## Conduit Box



## Installation Guide

Magnum Energy, Inc.  
2211 West Casino Rd.  
Everett, WA 98204  
Phone: 425-353-8833  
Fax: 425-353-8390  
Web: [www.magnumenergy.com](http://www.magnumenergy.com)

## Introduction

### Introduction

The MPX-CB conduit box fits on the bottom of the larger Magnum Energy inverters (i.e., ME, MS, RD, etc.), and provides knockouts to accommodate installations that require the AC and/or DC wiring to be enclosed/protected by conduit. See Figure 1 for MPX dimensions and knockout locations/sizes.

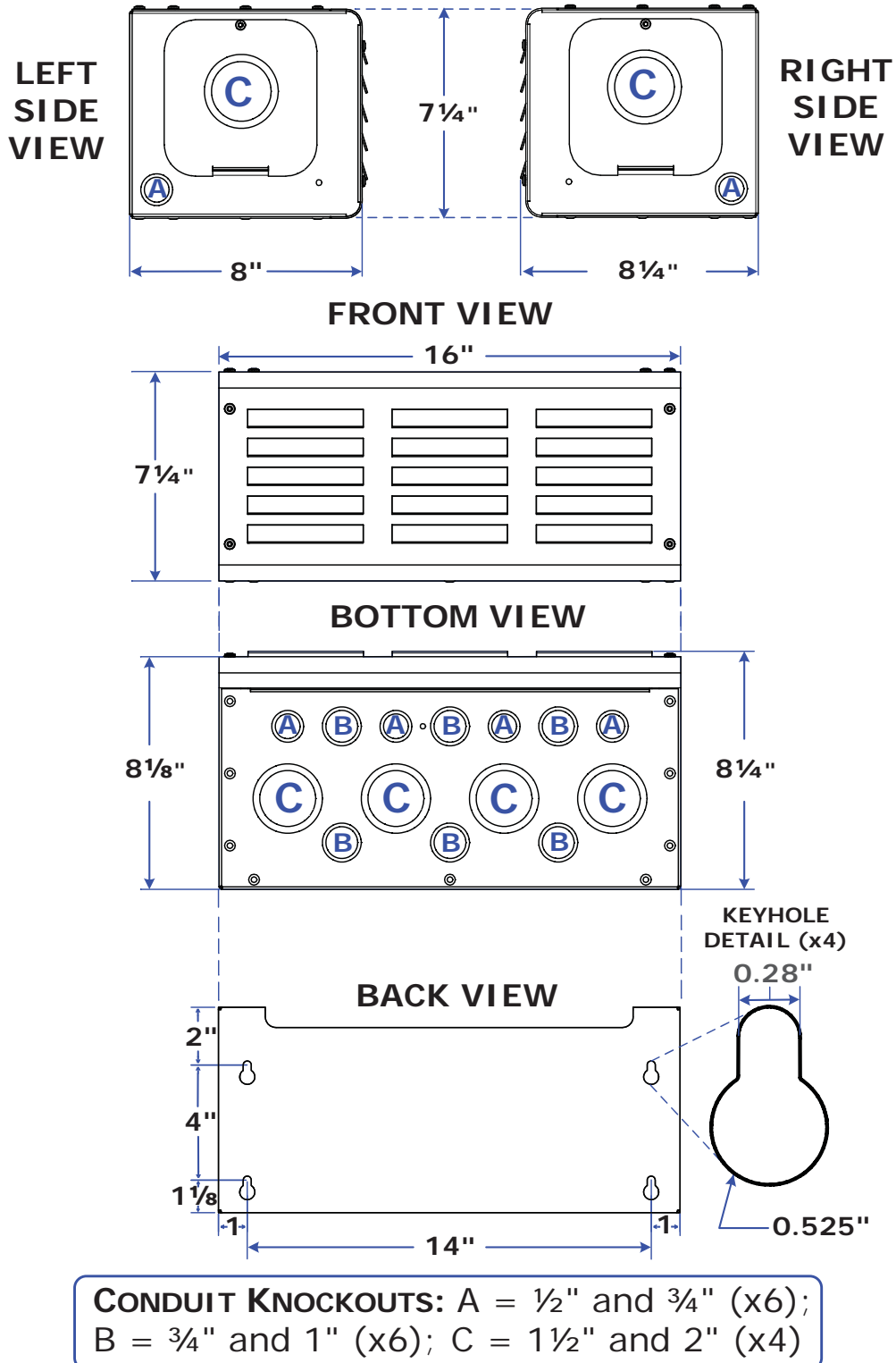


Figure 1, MPX-CB Dimensions and Knockout Locations/Sizes

## Installation



**WARNING:** The inverter uses power from both AC and DC sources. Before beginning the installation, ensure all AC power (utility/generator) and any negative and positive battery cables are safely disconnected from the inverter.

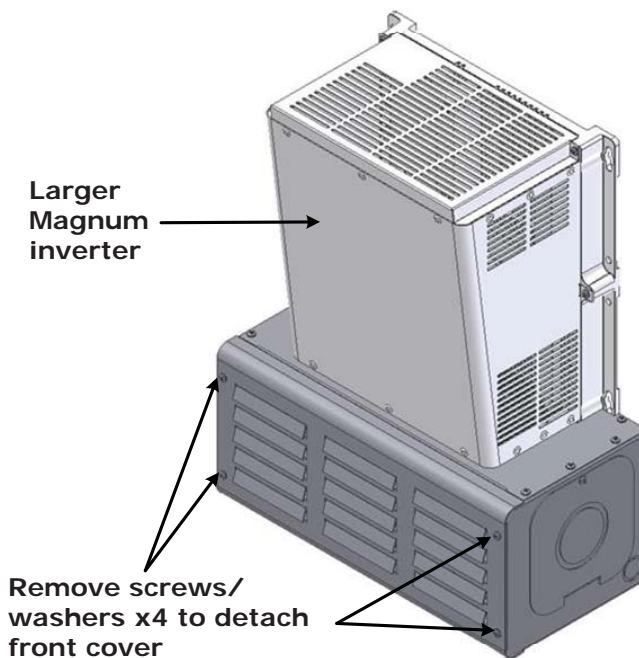
Refer to Figure 2 below for the following steps:

1. Determine the AC and DC wiring routes through the MPX conduit box, identify and remove the appropriate knockouts, and then attach the corresponding conduit.
2. Remove the four screws (#10-32 Phillips head) and washers to take off the front cover of the MPX conduit box.
3. Attach the MPX conduit box to the selected surface using the appropriate mounting hardware. Ensure the surface and hardware can hold the inverter's weight (~70 lbs).



**Info:** Refer to your inverter's owner's manual for guidelines on selecting a proper location and mounting surface. A Magnum backplate (PN: BP-S single plate, BP-D dual plate) is highly recommended as a mounting surface. (These backplates provide a non-combustible surface and have pre-drilled holes that allow for easy mounting of the inverter and the MPX.)

4. Once the MPX conduit box is securely mounted, carefully place the inverter on top of the MPX, ensuring the inverter sits flush on the conduit box.
5. Secure the inverter to the mounting surface using appropriate hardware.
6. Route the AC and DC wiring through the appropriate knockouts/conduits on the MPX, and then connect per the inverter's installation procedure. Ensure all electrical and hardware connections are correct and secure.
7. Apply power to the inverter and test for proper operation.
8. Replace and secure the front cover of the MPX conduit box.



*Figure 2, MPX-CB with Magnum Inverter Installed*

## Warranty and Service

### Limited Warranty

Magnum Energy, Inc. warrants the MPX-CB conduit box for a maximum of 12 months from the product's original date of purchase according to the following terms and conditions:

1. The limited warranty extends to the original purchaser of the product and is not assignable or transferable to any subsequent purchaser.
2. During the limited warranty period, Magnum Energy will repair or replace at Magnum Energy's option any defective parts, or any parts that will not properly operate for their intended use with factory new or remanufactured replacement items—if such repair or replacement is needed because of product malfunction or failure during normal usage. The limited warranty does not cover defects in cosmetic appearance, or any decorative, structural, or non-operative parts. Magnum Energy's limit of liability under the warranty shall be the actual cash value of the product at the time the original purchaser returns the product for repair—determined by the price paid by the original purchaser. Magnum Energy shall not be liable for any other losses or damages.
3. Upon request from Magnum Energy, the original purchaser must prove the product's original date of purchase by providing a dated bill of sale or itemized receipt.
4. The original purchaser shall return the product prepaid to Magnum Energy in Everett, WA. After the completion of service under this limited warranty, Magnum Energy will return the product prepaid to the original purchaser via a Magnum selected non-expedited surface freight within the contiguous United States and Canada; this excludes Alaska and Hawaii.
5. This limited warranty is voided if:
  - the product has been modified without authorization;
  - the product has been damaged through abuse, neglect, accident, or corrosion;
  - the product was not installed according to this installation guide.

### How to Receive Repair Service

If your product requires warranty service or repair, contact either:

1. An authorized service center listed on the Magnum Energy website at <http://www.magnumenergy.com/Service/ServiceCenters-US.htm>; or
2. Magnum Energy, Inc. at:
  - Telephone: 425-353-8833
  - Fax: 425-353-8390
  - Email: [warranty@magnumenergy.com](mailto:warranty@magnumenergy.com)

If returning the product directly to Magnum Energy for repair, you must:

- return the unit in the original, or equivalent, shipping container;
- receive a Return Materials Authorization (RMA) number from the factory prior to the return of the product to Magnum Energy;
- place the RMA numbers clearly on the shipping container or on the packing slip.

**BEFORE RETURNING ANY UNIT, CONTACT MAGNUM ENERGY FOR A RETURN MATERIAL AUTHORIZATION (RMA) NUMBER**