

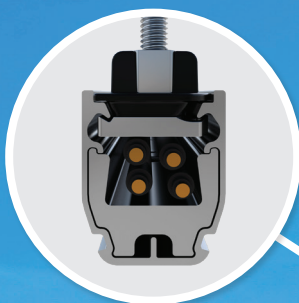


AIRE

Racking Accelerated™

Aire® is a carefully-engineered, ergonomic racking system for pitched roofs—honoring both speed and precision. Each component has been designed to enforce a quality installation that can withstand the elements.

We've worked hand-in-glove with installers to provide the strongest, feature-rich, open-channel rail on the market. Two rail sizes come in black-anodized and mill finishes. Listed to UL 2703 and backed by a 25-year warranty.



Glove-Friendly Components

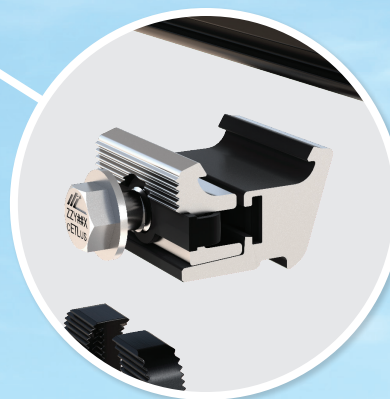
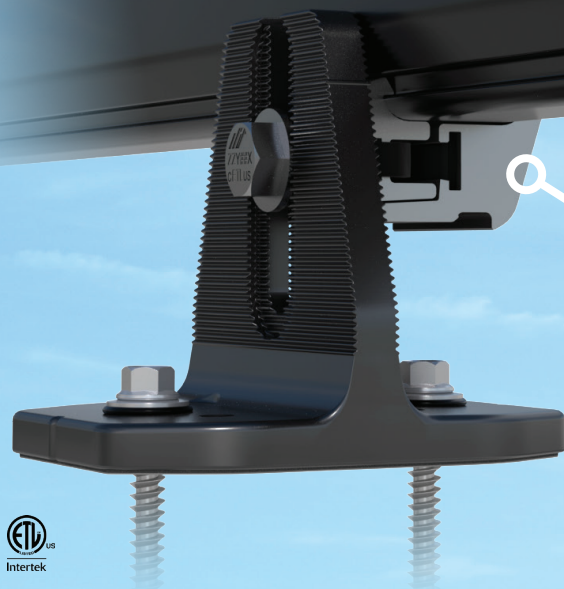
Aire Lock® clamps are free-standing and universal, with Twist-n-Click® Technology for easy placement. The clamps do not impede wires in the tray below and they provide clean aesthetics with 1/2-inch module gaps.

One-Tool 1/2" System



Fully-Certified Cable Tray

Aire® is the only system listed as a cable tray. It uses NEC-compliant rail, with NEMA VE1 and C2.22 ratings. The high-strength open channel sheds water to keep wire connectors high and dry, while Wire Clips tame unruly PV & DG cables.

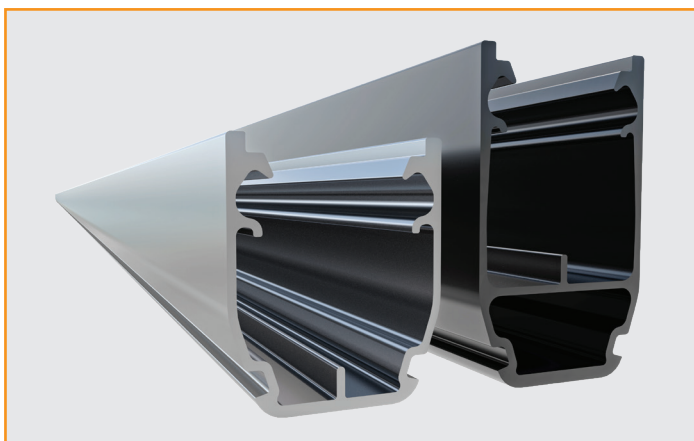


Hassle-Free Rail Alignment

The Aire Dock® works with all of our attachments for composition shingle, tile, and metal roofs. The integrated bolt drops into open slots, allowing the rail to click-in and then easily Slide-n-Glide® into the optimal position.

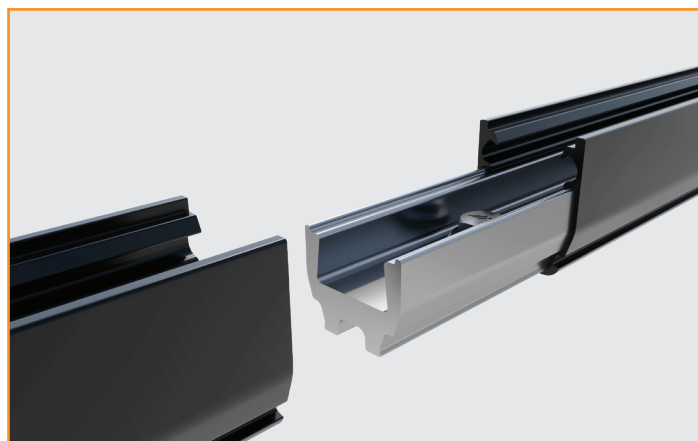
Aire® Flush Mount System

Racking Accelerated®



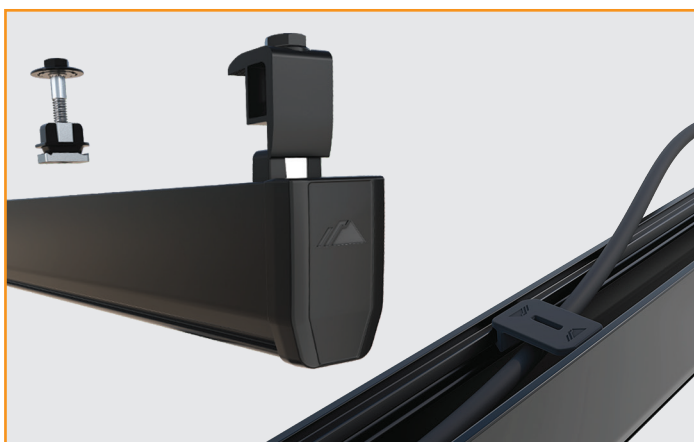
Two Optimized Aire® Rail Sizes

A1 Rail meets most load conditions, while the heftier A2 Rail is best in heavy-snow and high-wind regions.



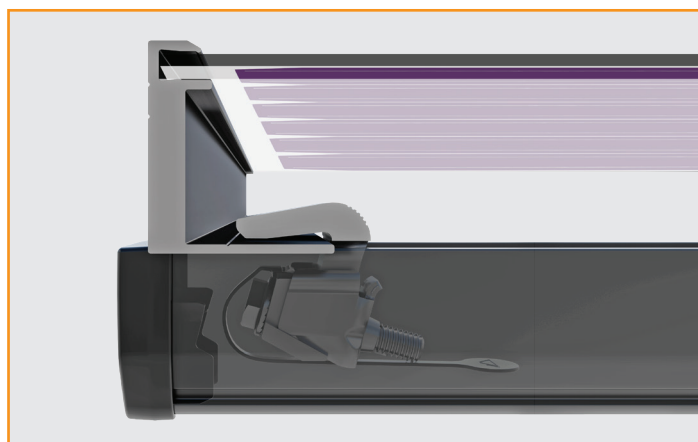
Internal Bonded Structural Splices

Aire® Ties connect two pieces of rail together without penetrations. Its water-relief “bridge” allows drainage.



Easy Hardware & Wire Placement

Quarter turn and Aire Lock® clamps stand freely. Wire Clips press in, with a flat-head slot for quick removal.



Aesthetically-Pleasing Hidden Ends

Aire Lock® Stealth clamps module row ends. With a 15° angled bolt, rail cuts are not needed for access.

Rail Selection

The provided table* illustrates span differences for Aire® A1 and A2 Rails. It was prepared in compliance with applicable codes and standards.

Values based on the following criteria: ASCE 7-16, Gable Roof Flush Mount, Roof Zones 1 & 2e, Exposure B, Roof Slope of 8° to 20° and Mean Building Height of 30 ft.

Visit IronRidge.com for detailed certification letters.

External Load		Rail Span Between Attachments				
Snow (PSF)	Wind (MPH)	4'	5' 4"	6'	8'	10' 4"
None	120	A1	A2			
	150					
	180					
20	150					
	180					
30	150					
	180					
40	180					
80	180					
120	180					

Mobile Resources



*Table is for illustration purposes only. Use approved certification letters for actual design guidance.