
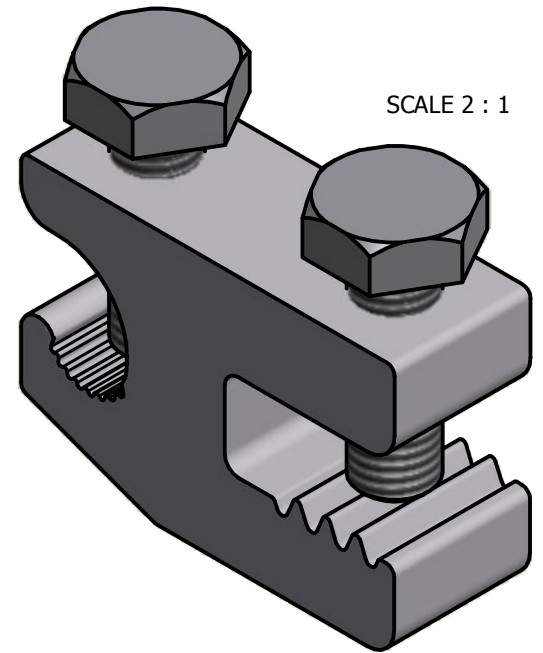
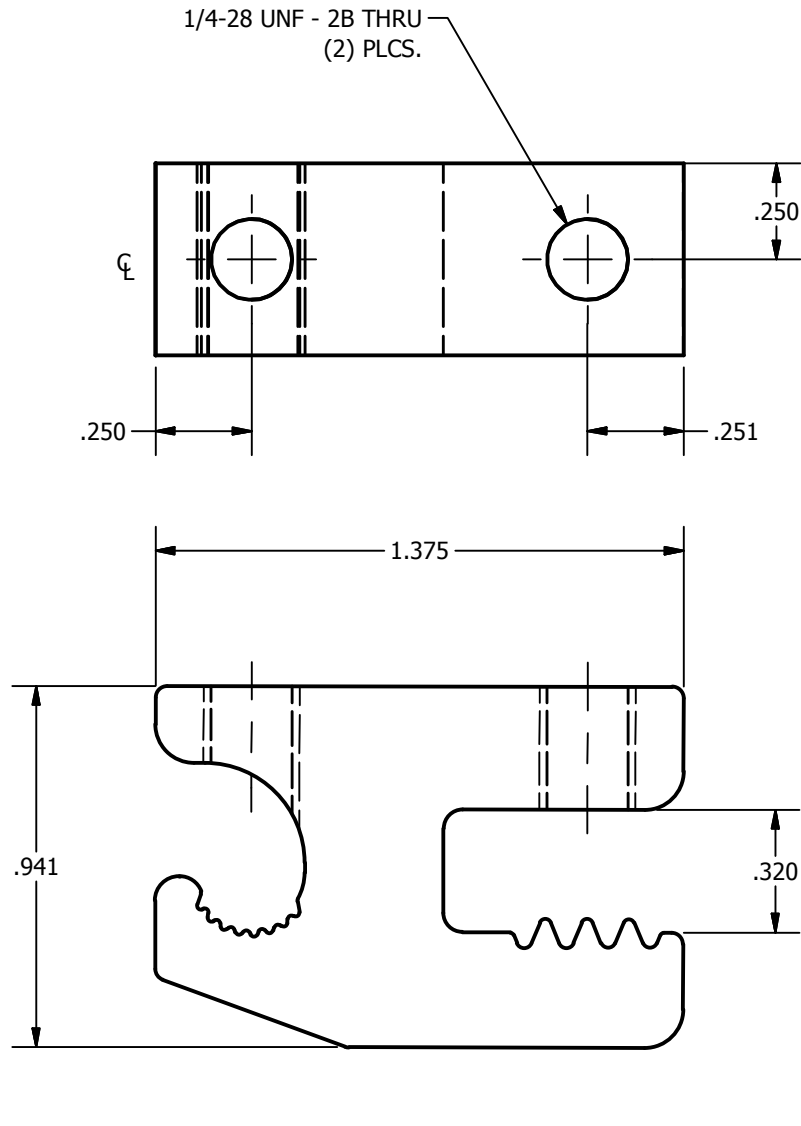


SCREW: SEE CHART
 CAT. NO.: SGB-4
 INFORMATION SHEET: FORM 184

MATERIAL: ALUMINUM
 PLATING: EL-TIN
 MARKING: ILSCO, SGB-4, 4-14 SOL-STR, 3 IN-LBS, AL-CU


REV: F
 DRAWN BY: NN
 DATE: 7/22/2010

ILSCO
connections matter
 800-776-9775 www.ilsco.com
 DWG. NO. **G1040**
 SHEET: 1 OF 1



PART NUMBER	SCREW
G1040A00T	E1495C00A
G1040A02T	E1495C00H