

FOR REFERENCE ONLY; NOT FOR CONSTRUCTION.

- *Installer responsible for code compliance.
- *Refer to product documentation for additional installation details and requirements.
- *Install SnapRS in PV array for module-level PVRSS requirements, one SnapRS per PV module.

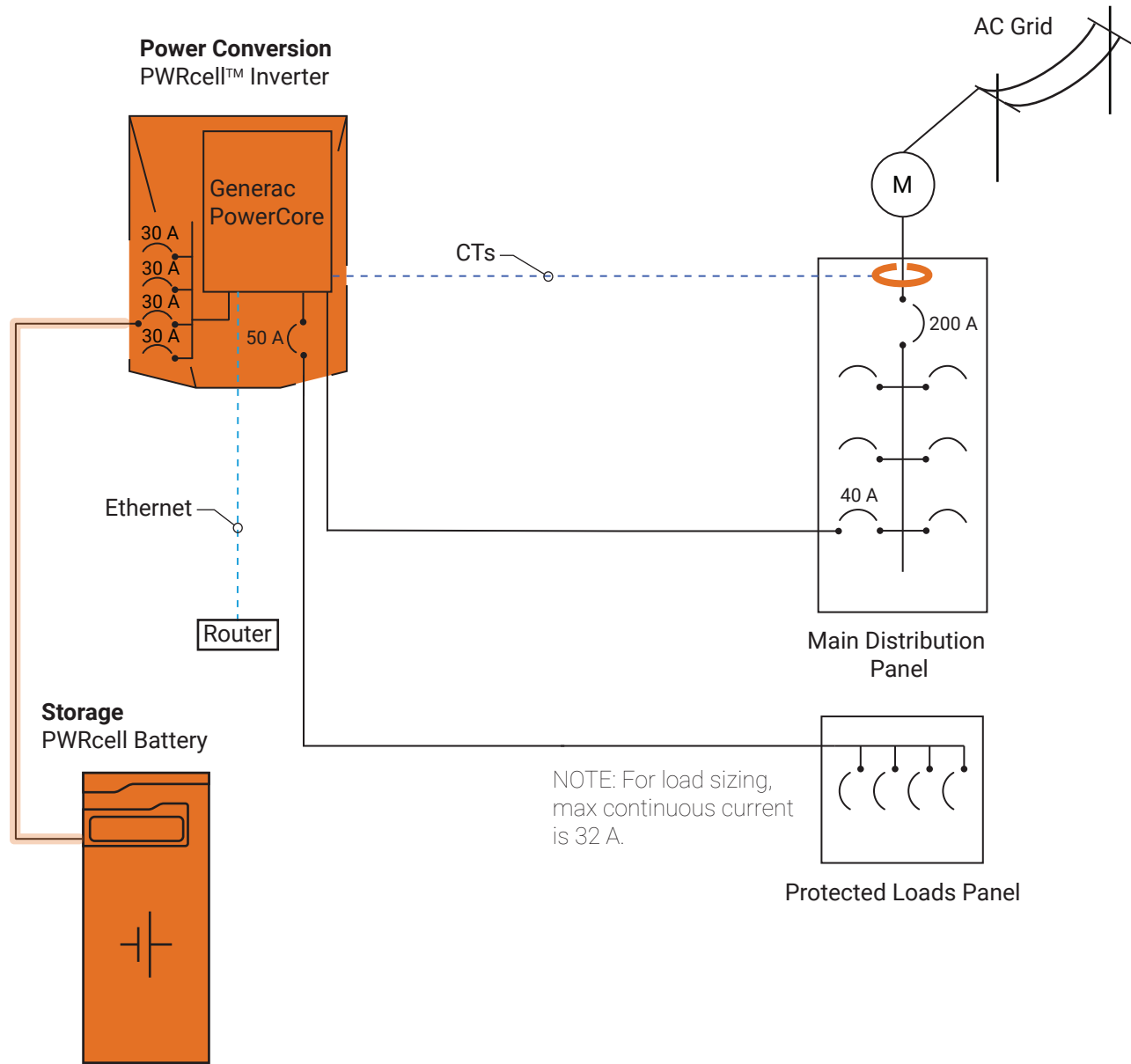
Reference Code: DSLD00002-02

This design shows a PWRcell Inverter with PV Link optimizers installed for PV-only net metering. Additional DC disconnects allow for more PV and/or energy storage to be added later. This design is suitable for most residential 120 V / 240 V services.

Grid Tied PV / Battery Ready

- 1 PWRcell Inverter
- 1 CT Kit (included)
- 3 PV Links (max 6)





- Powered by REbus™ (DC Nanogrid)
- AC Wiring
- - - - - DC Wiring (excluding REbus)
- · - · - CAT5
- Comms Wiring
- Control Wiring

FOR REFERENCE ONLY; NOT FOR CONSTRUCTION.

*Installer responsible for code compliance.

*Refer to product documentation for additional installation details and requirements.

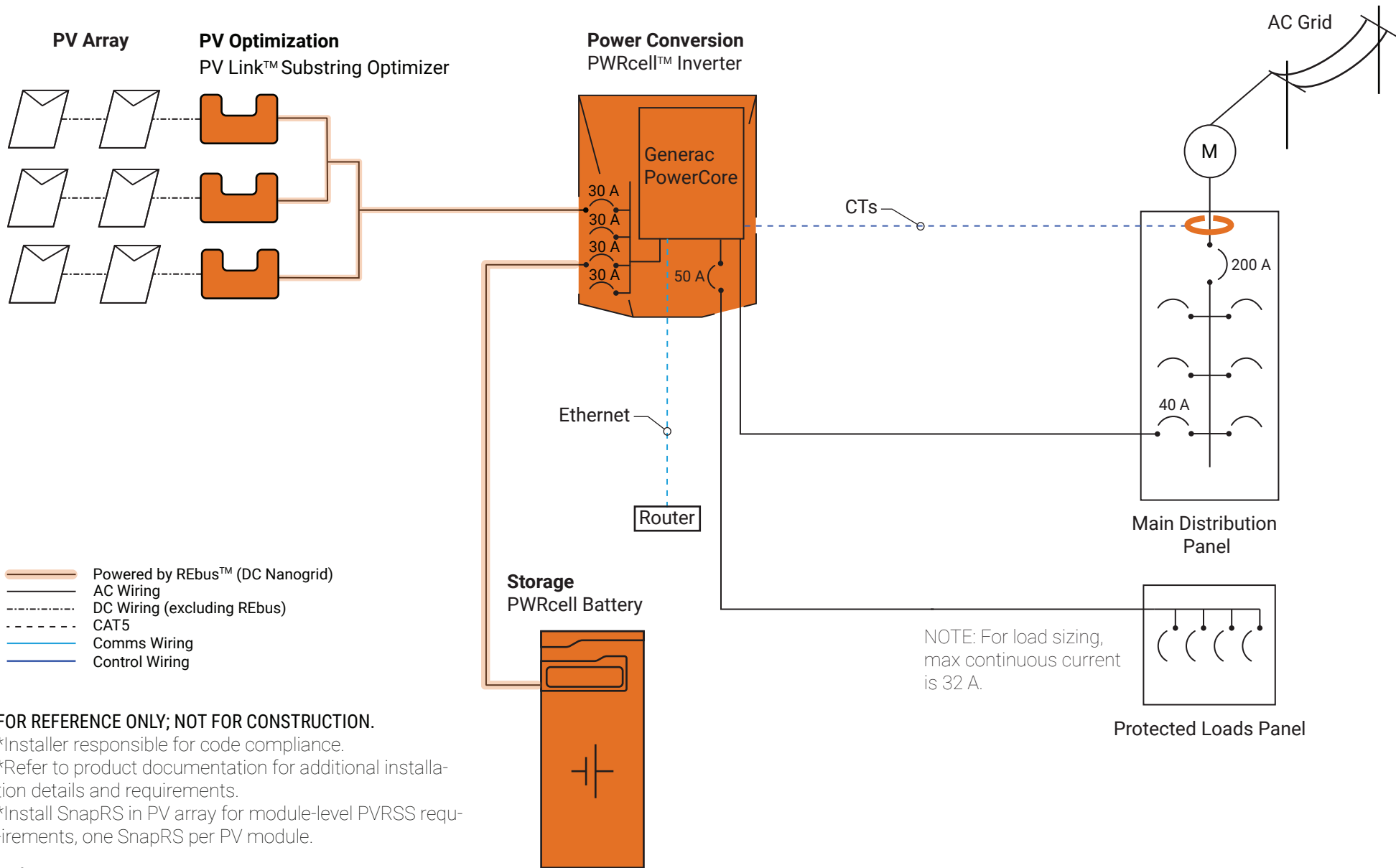
Reference Code: DSLD00003-02

This design shows a PWRcell system with a Protected Loads panel. Utilize this design where roof installation for PV is not possible. There are DC inputs available for additional battery storage or to add PV in the future. This design is suitable for most residential 120 V / 240 V services.

Protected Loads / Battery Backup Only

- 1 PWRcell Inverter
- 1 CT Kit (included)
- 1 PWRcell Battery





FOR REFERENCE ONLY; NOT FOR CONSTRUCTION.

*Installer responsible for code compliance.

*Refer to product documentation for additional installation details and requirements.

*Install SnapRS in PV array for module-level PVRSS requirements, one SnapRS per PV module.

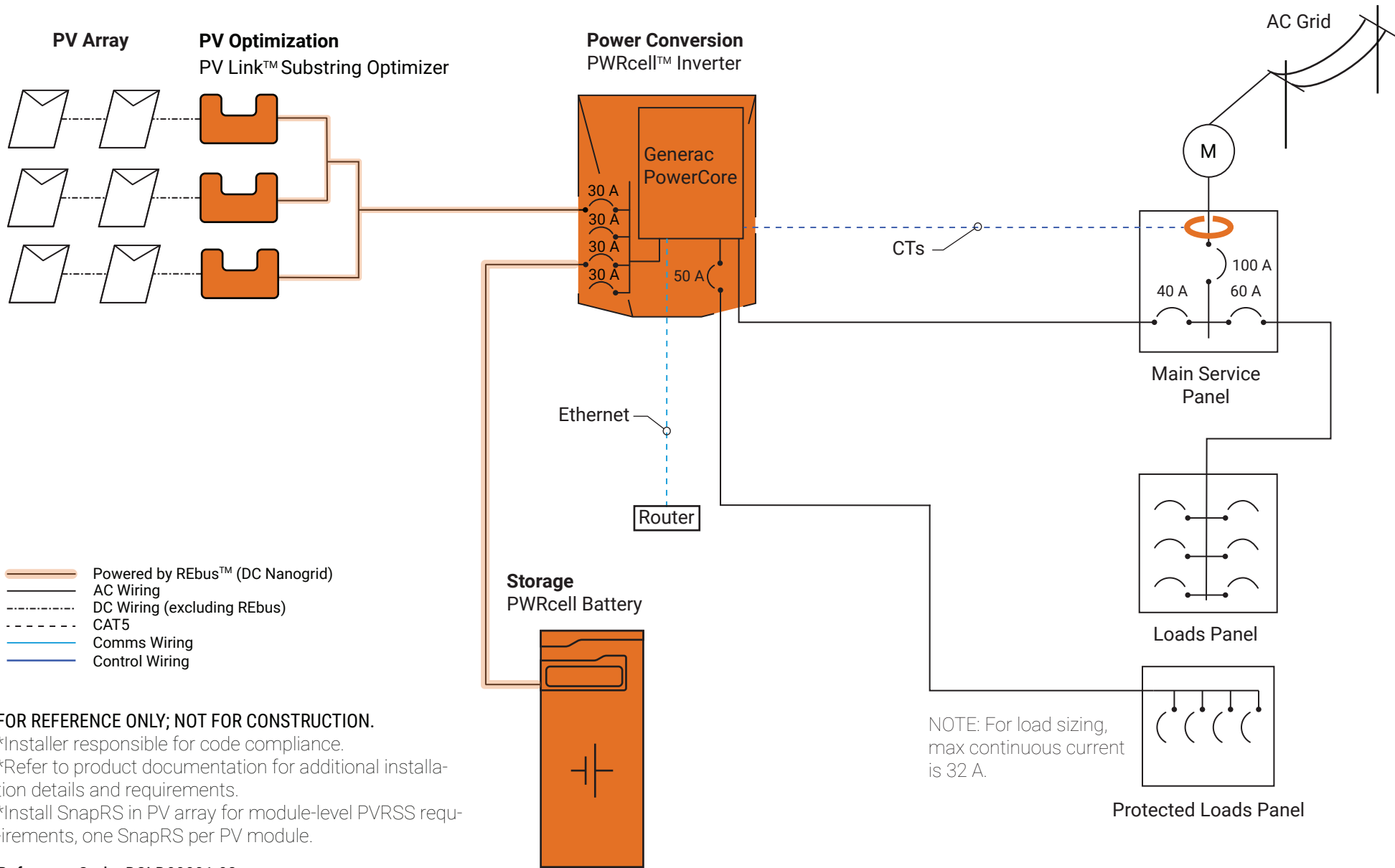
Reference Code: DSLD00006-02

This design shows a PWRcell system with a Protected Loads panel. This design is suitable for most residential 120 V / 240 V services.

Protected Loads / Solar + Storage

- 1 PWRcell Inverter
- 3 PV Links (max 6)
- 1 PWRcell Battery
- 1 CT Kit (included)





FOR REFERENCE ONLY; NOT FOR CONSTRUCTION.

- *Installer responsible for code compliance.
- *Refer to product documentation for additional installation details and requirements.
- *Install SnapRS in PV array for module-level PVRSS requirements, one SnapRS per PV module.

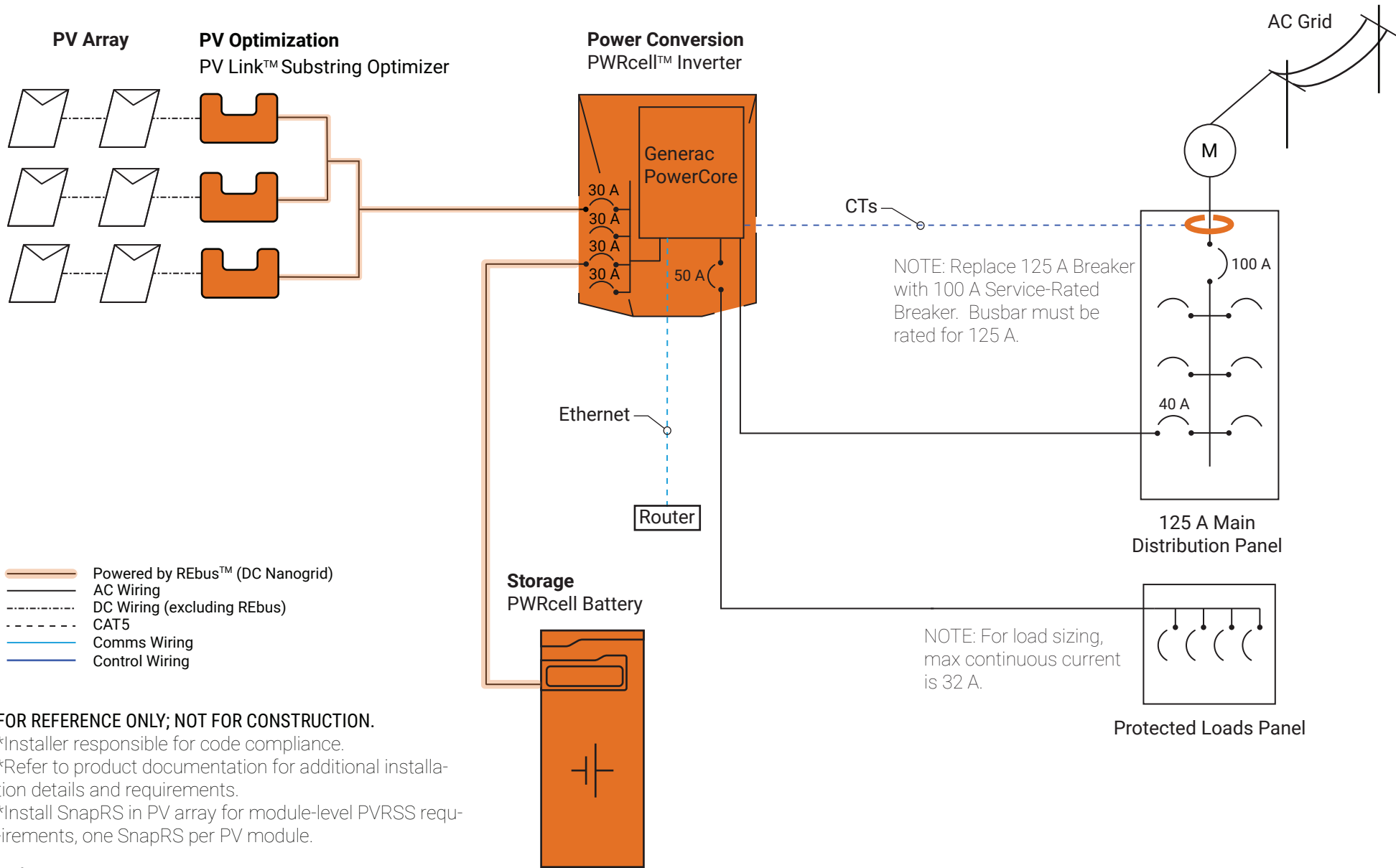
Reference Code: DSLD00001-02

This design shows a PWRcell system with a Protected Loads panel. This design uses the sum rule method for the load side connection of an optional standby system. This design is suitable for most residential 100 A 120 V / 240 V services.

Protected Loads / 100 A Service Sum Rule

- 1 PWRcell Inverter
- 3 PV Links (max 6)
- 1 PWRcell Battery
- 1 CT Kit (included)





FOR REFERENCE ONLY; NOT FOR CONSTRUCTION.

- *Installer responsible for code compliance.
- *Refer to product documentation for additional installation details and requirements.
- *Install SnapRS in PV array for module-level PVRSS requirements, one SnapRS per PV module.

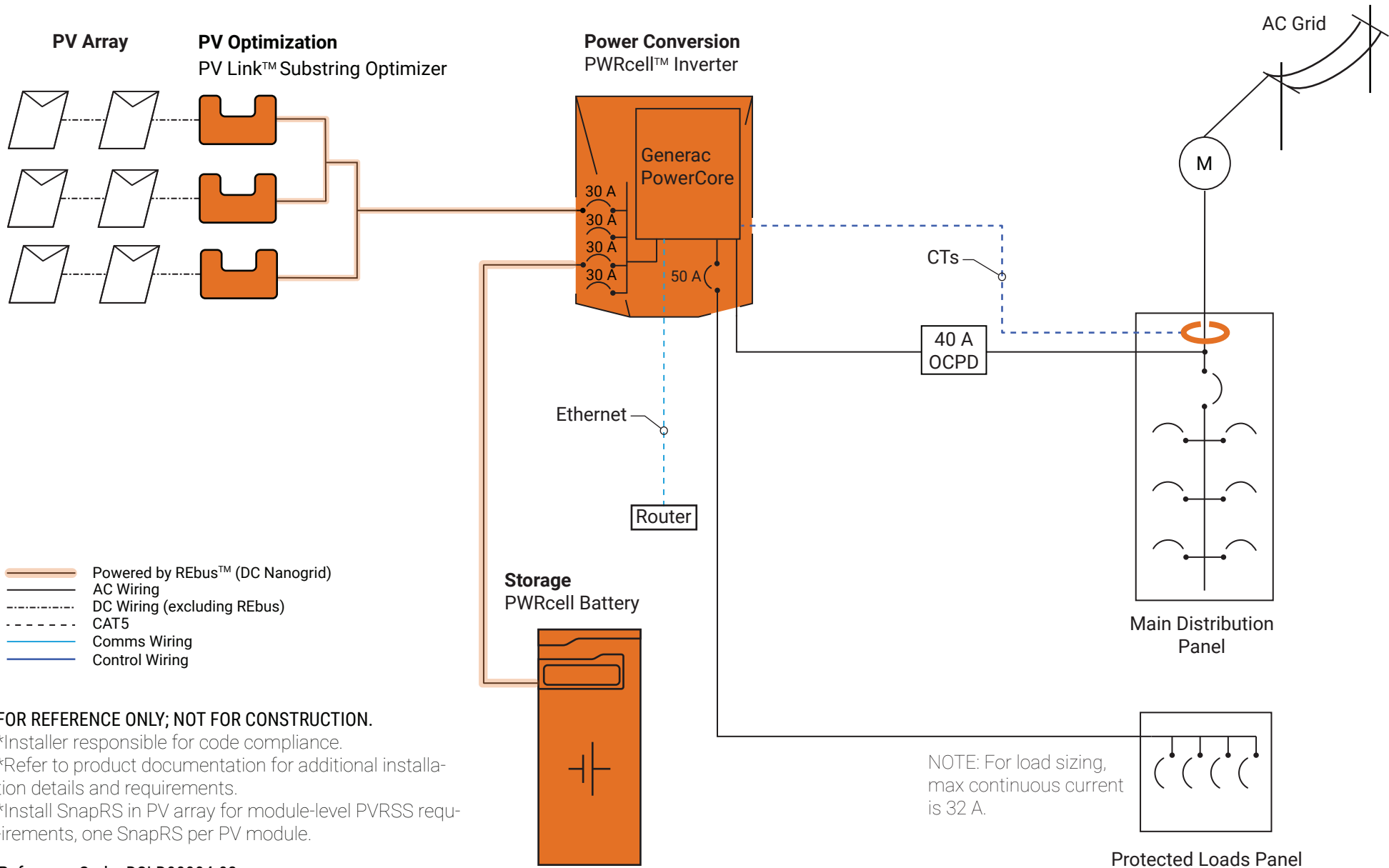
Reference Code: DSLD00023-01

This design shows a PWRcell system with a Protected Loads panel. Install a service-rated panel rated for 125 A. Use a 100 A main breaker recognized by the panel manufacturer as compatible per product listing(s). This design is suitable for most residential 120 V / 240 V services.

Protected Loads / 100 A Service Panel Upgrade

- 1 PWRcell Inverter
- 3 PV Links (max 6)
- 1 PWRcell Battery
- 1 CT Kit (included)





FOR REFERENCE ONLY; NOT FOR CONSTRUCTION.

*Installer responsible for code compliance.

*Refer to product documentation for additional installation details and requirements.

*Install SnapRS in PV array for module-level PVRSS requirements, one SnapRS per PV module.

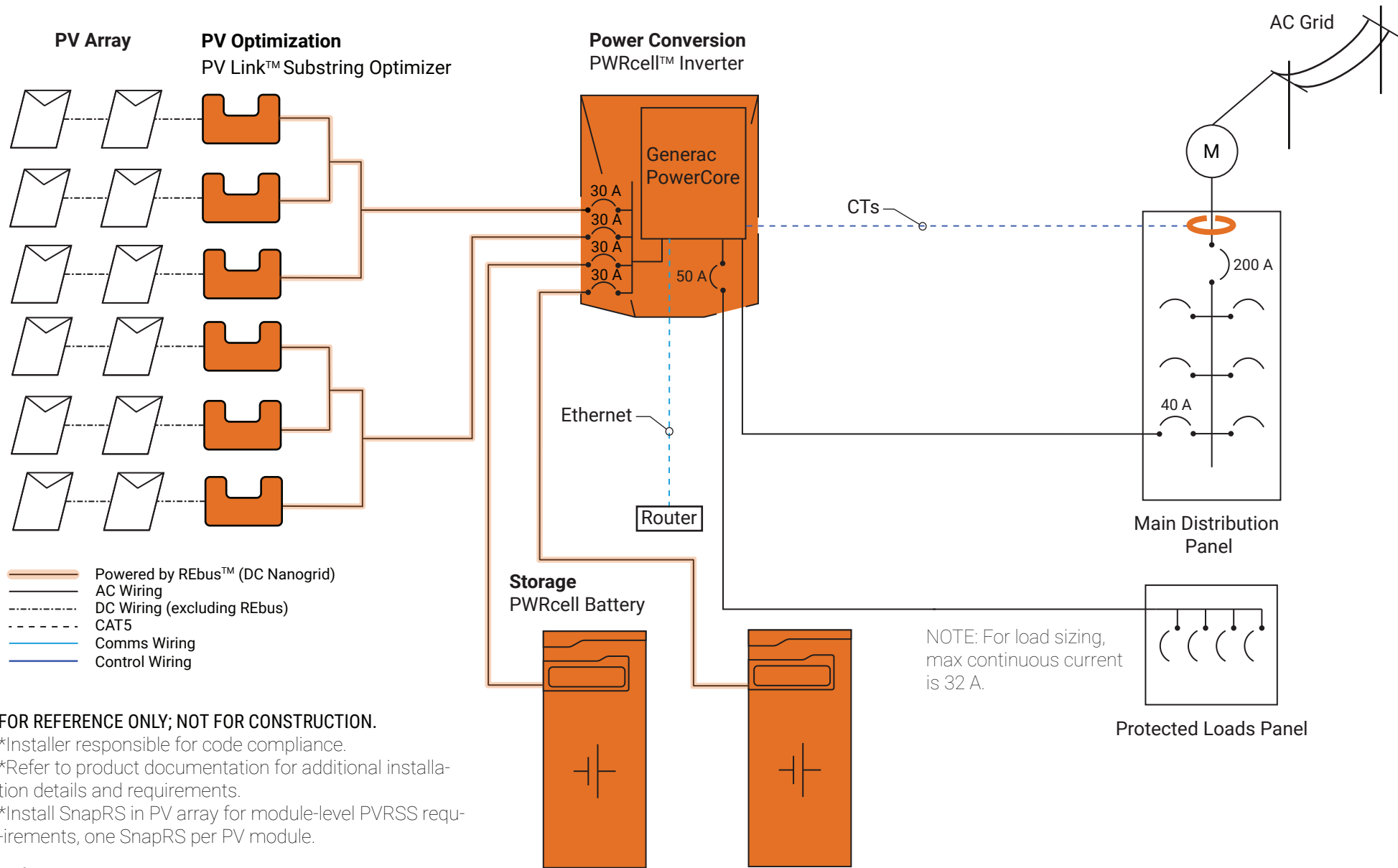
Reference Code: DSLD00004-02

This design shows a PWRcell system with a Protected Loads panel. This design uses a line-side tap to connect the inverter AC Grid Connection when coupling via the main panel is not feasible. Contact the local utility to confirm that line-side taps are allowed. This design is suitable for most residential 120 V / 240 V services.

Protected Loads / Line-Side Tap

- 1 PWRcell Inverter
- 3 PV Links (max 6)
- 1 PWRcell Battery
- 1 CT Kit (included)



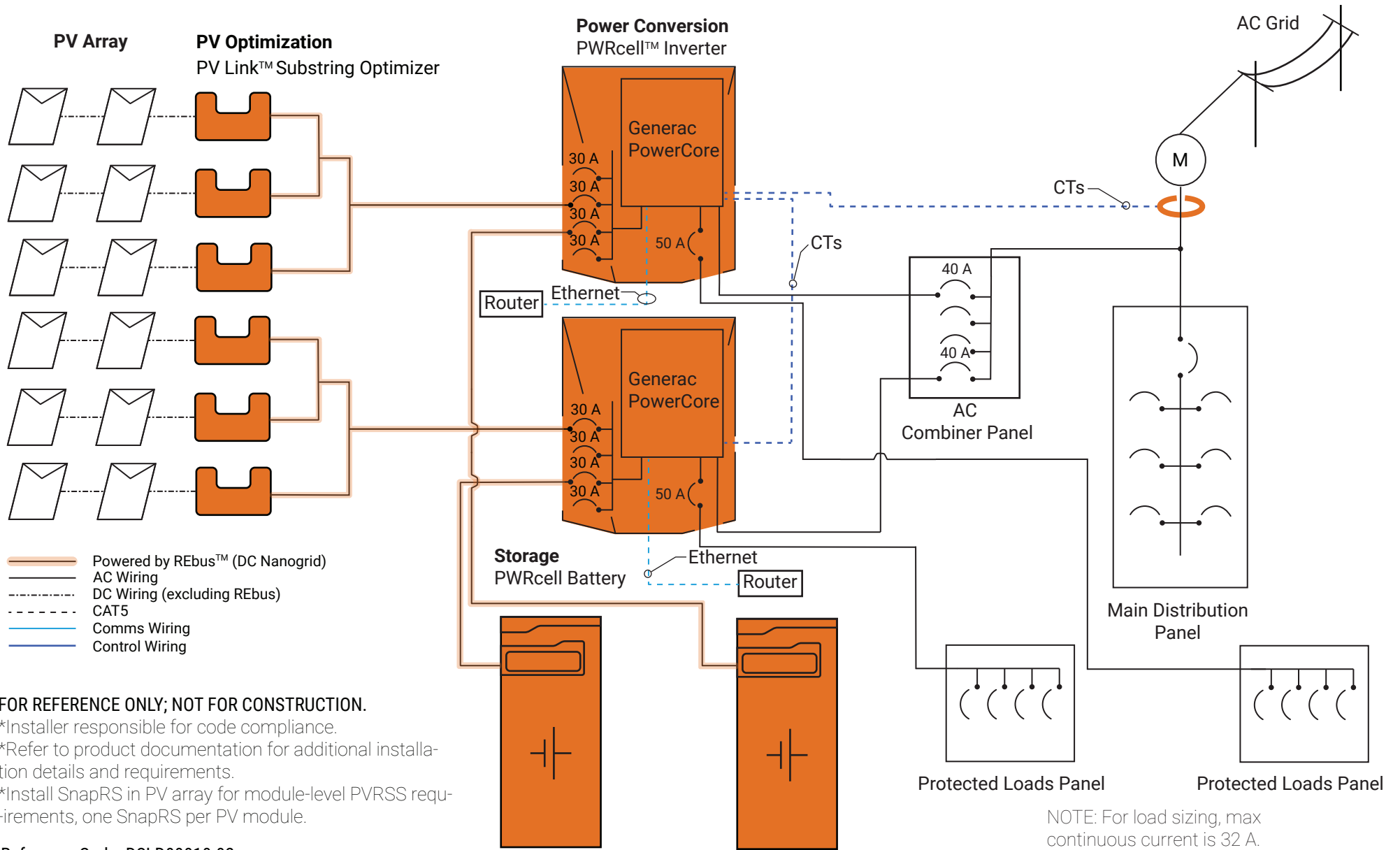


This design shows a Generac PWRcell system with a Protected Loads panel that is fully utilizing the inverter DC input terminals for PV and energy storage. This design is suitable for most residential 120 V / 240 V services.

Protected Loads / Max. Capacity System

- 1 PWRcell Inverter
- 6 PV Links
- 2 PWRcell Batteries
- 1 CT Kit (included)





FOR REFERENCE ONLY; NOT FOR CONSTRUCTION.

- *Installer responsible for code compliance.
- *Refer to product documentation for additional installation details and requirements.
- *Install SnapRS in PV array for module-level PVRSS requirements, one SnapRS per PV module.

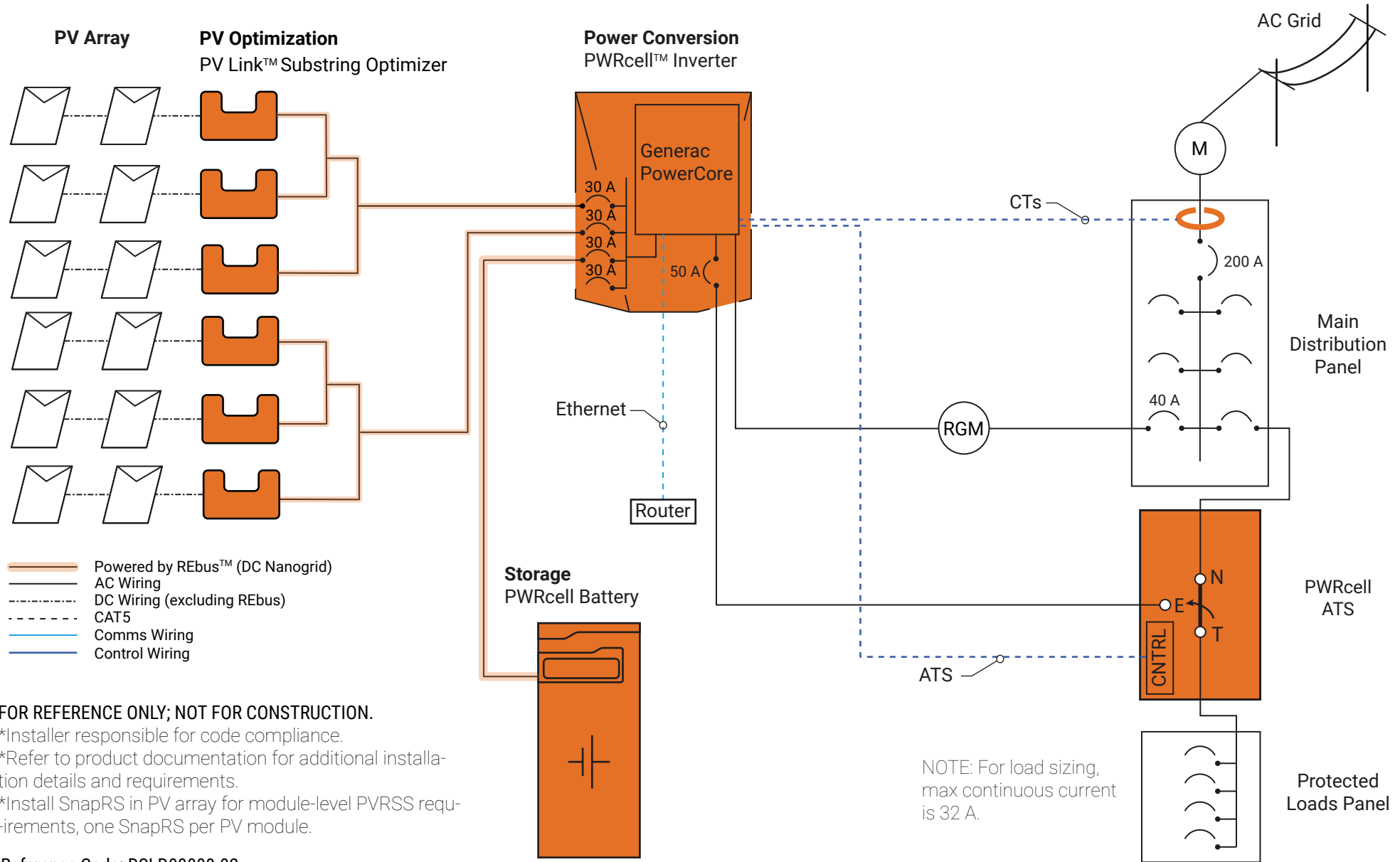
Reference Code: DSLD00010-02

This design shows a multi-system Generac PWRcell solution. Both inverter systems have solar and energy storage. Inverters must support separate loads panels and must not have their Protected Loads outputs coupled. This design is suitable for most residential 120 V / 240 V services.

Protected Loads / Multi-System

- 2 PWRcell Inverters
- 6 PV Links (max. 6/Inv)
- 2 PWRcell Batteries
- 2 CT Kits (included)





FOR REFERENCE ONLY; NOT FOR CONSTRUCTION.

- *Installer responsible for code compliance.
- *Refer to product documentation for additional installation details and requirements.
- *Install SnapRS in PV array for module-level PVRSS requirements, one SnapRS per PV module.

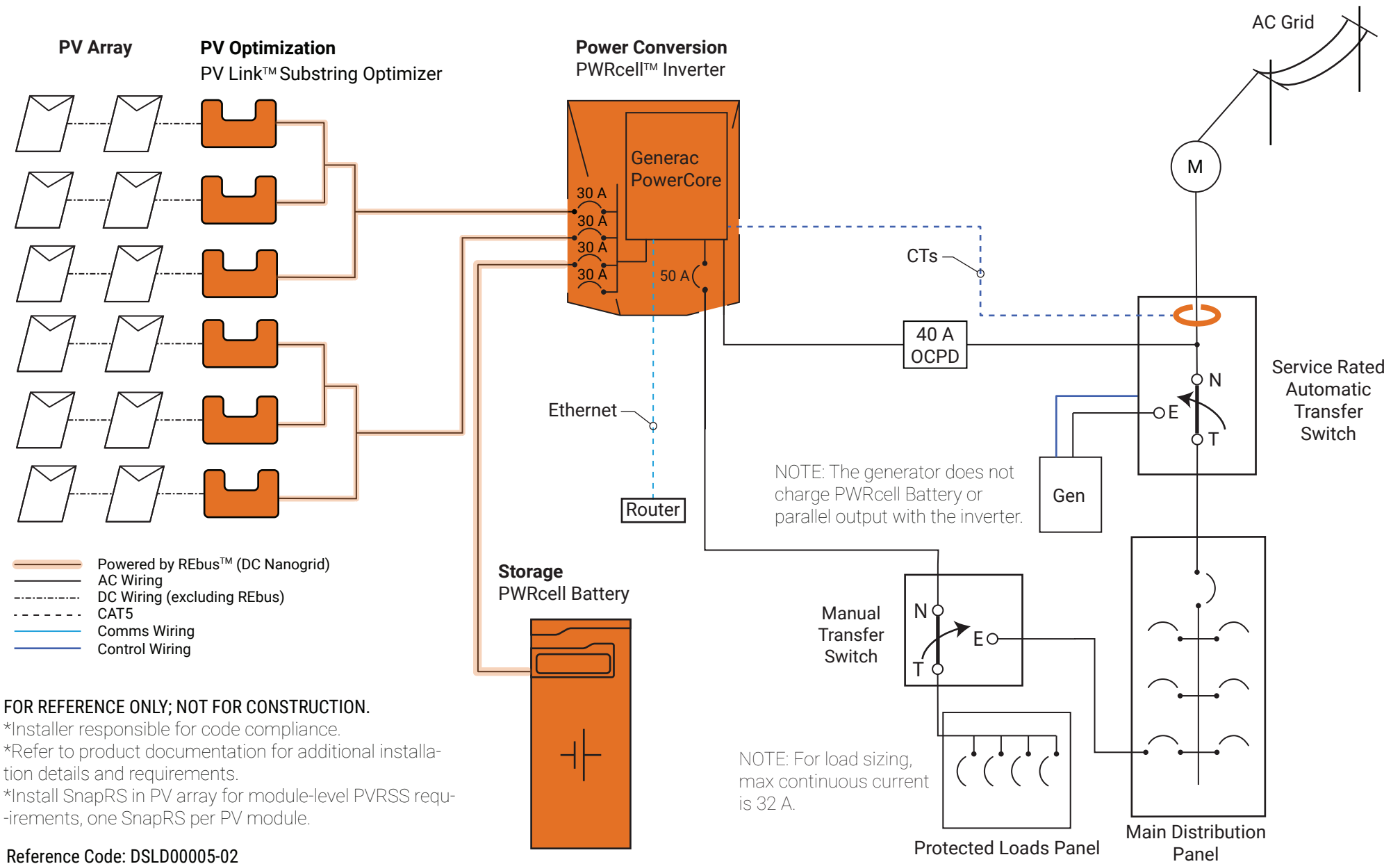
Reference Code: DSLD00009-02

This design shows a PWRcell system with a revenue grade meter (RGM) connected for participation in a solar incentive program. Use this system configuration to maximize solar incentive credit and provide backup power to a protected loads panel. This design is suitable for most residential 120 V / 240 V services.

Protected Loads / Revenue Grade Meter

- 1 PWRcell Inverter
- 6 PV Links
- 1 PWRcell Battery
- 1 CT Kit (included)
- 1 PWRcell ATS



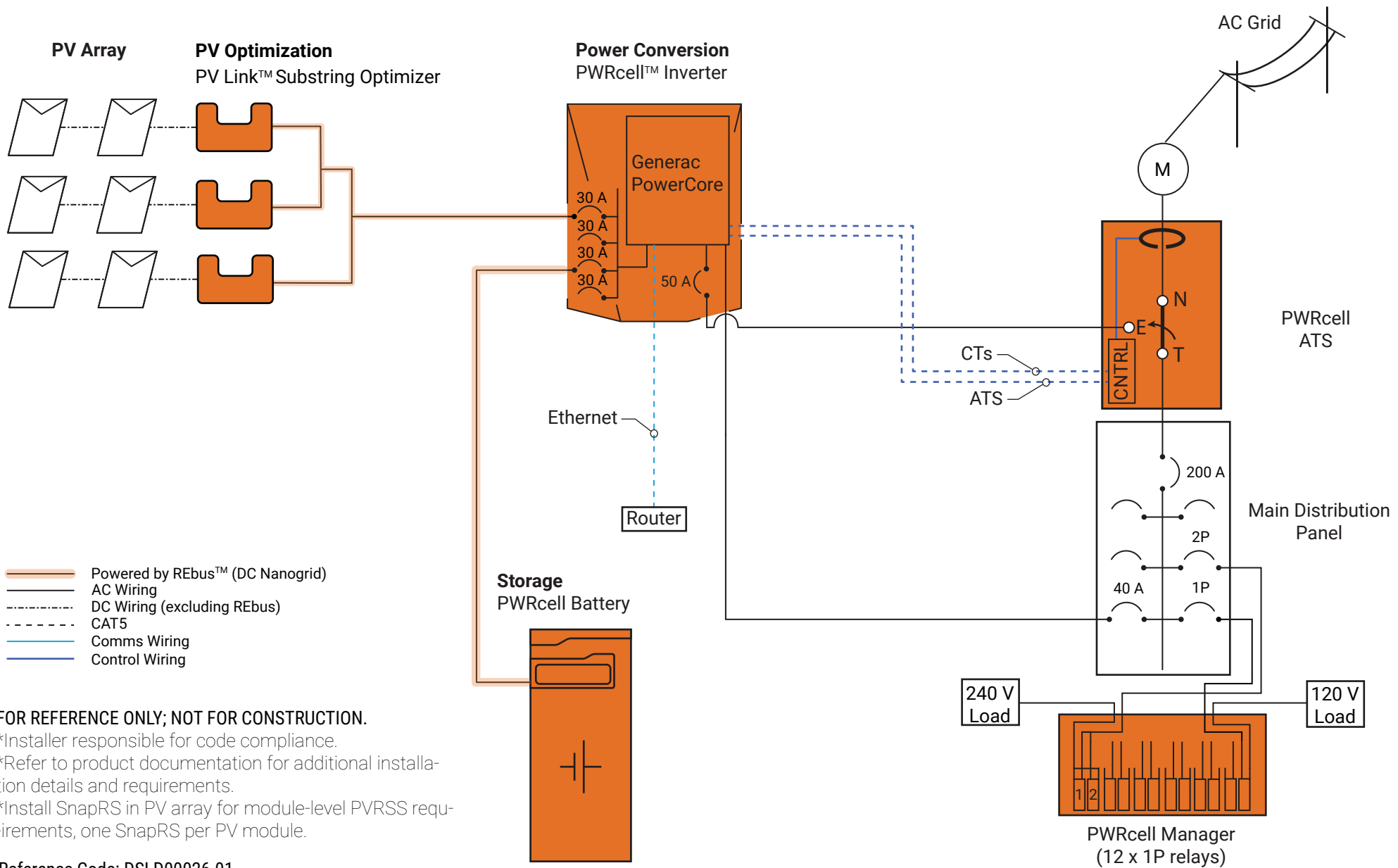


This design shows a PWRcell system configured with a non-Generac generator. This design isolates the generator from the inverter and involves a line-side tap and two transfer switches. The inverter output supports a loads panel that can also be transferred to the generator. This design is suitable for most residential 120 V / 240 V services.

Protected Loads / Existing Generator

- 1 PWRcell Inverter
- 6 PV Links
- 1 PWRcell Battery
- 1 CT Kit (included)





FOR REFERENCE ONLY; NOT FOR CONSTRUCTION.

*Installer responsible for code compliance.

*Refer to product documentation for additional installation details and requirements.

*Install SnapRS in PV array for module-level PVRSS requirements, one SnapRS per PV module.

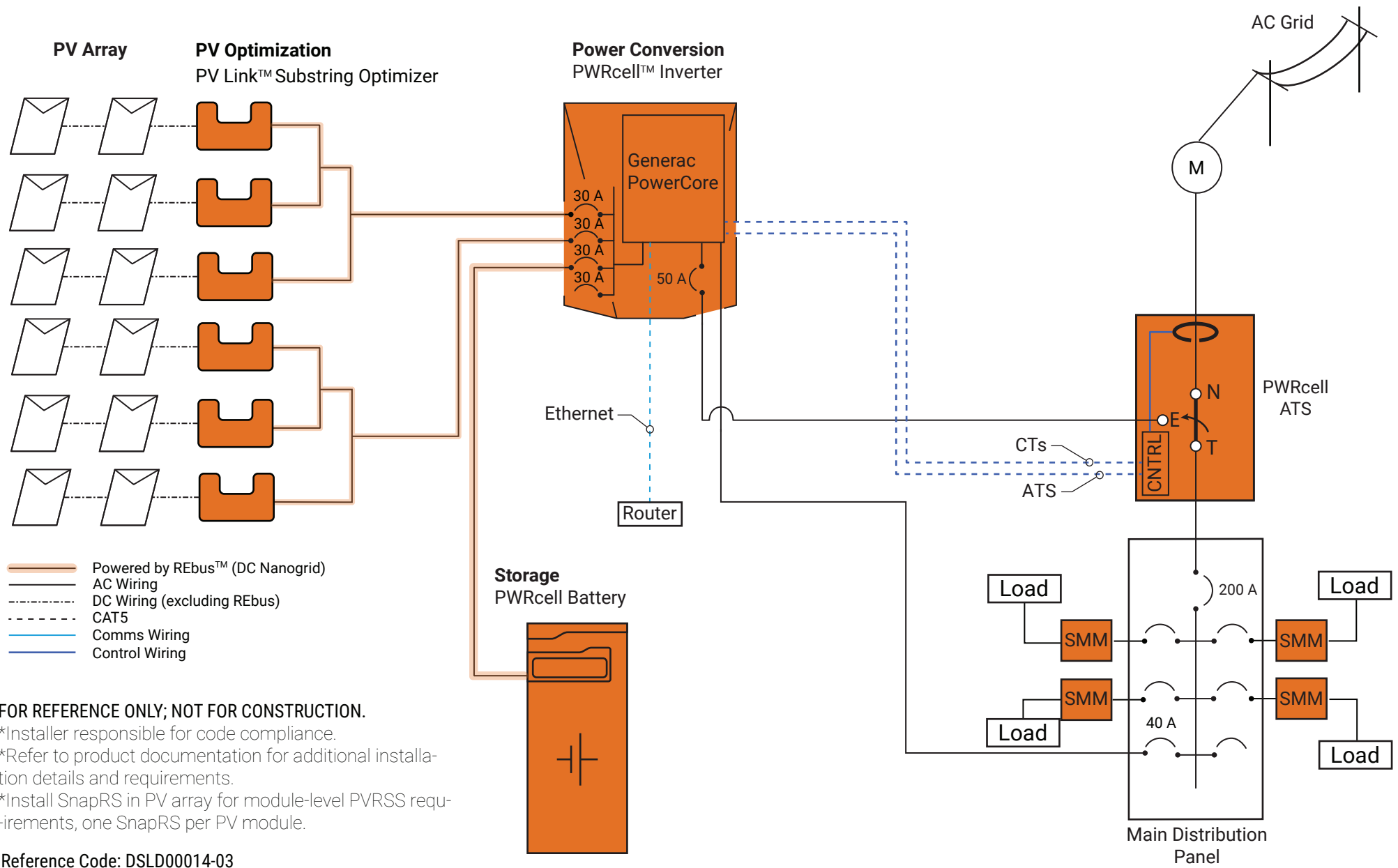
Reference Code: DSLD00026-01

This design shows a Generac PWRcell system with a PWRcell ATS for whole home backup. Use this system design to provide backup power to home loads. Use a Generac PWRmanager for load management of up to twelve 120 V loads or six 240 V loads. This design is suitable for most residential 120 V / 240 V services.

Whole Home Backup / PWRmanager

- 1 PWRcell Inverter
- 3 PV Links
- 1 PWRcell Battery
- 1 CT Kit (incl.)
- 1 PWRcell ATS
- 1 PWRmanager



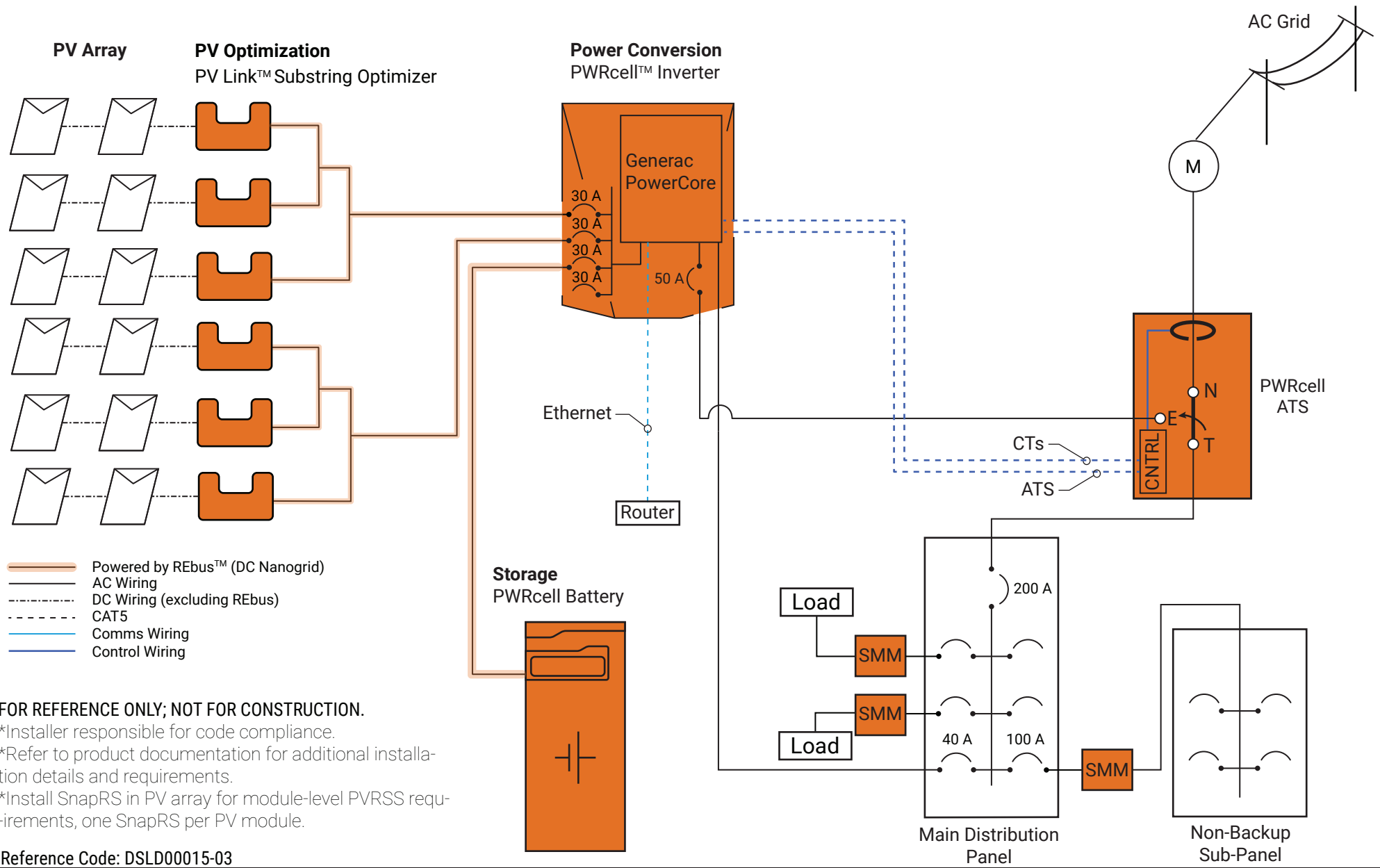


This design shows a Generac PWRcell system with a PWRcell ATS for whole home backup. Use this system design to provide backup power to the home loads. Use Generac Smart Management Modules (SMMs) for load management. This design is suitable for most residential 120 V / 240 V services.

Whole Home Backup / SMMs

- 1 PWRcell Inverter
- 6 PV Links
- 1 PWRcell Battery
- 1 CT Kit (incl.)
- 1 PWRcell ATS
- 4 Generac SMMs (max 8)



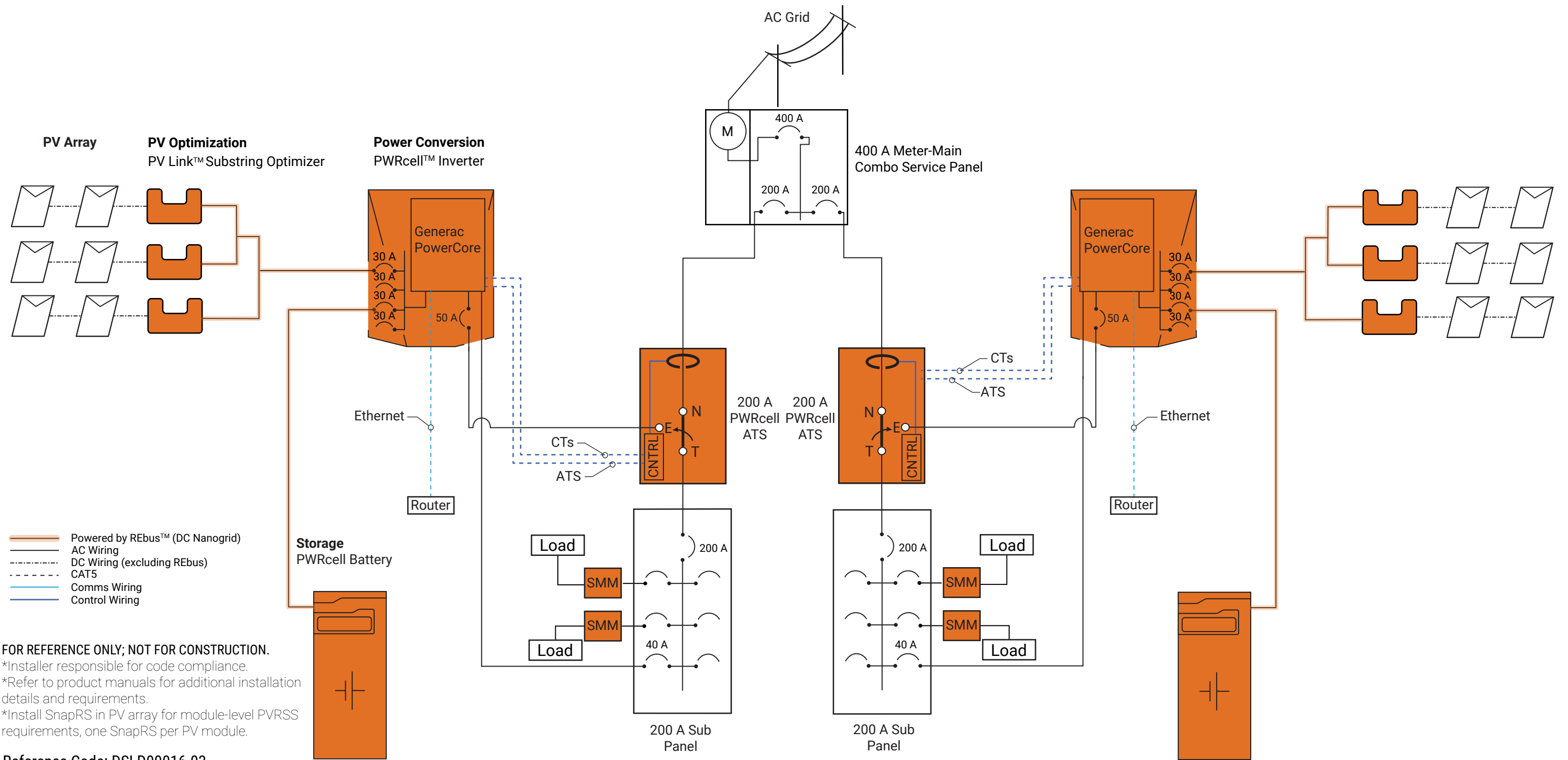


This design shows a Generac PWRcell system with a PWRcell ATS for whole home backup. Use this design to provide backup power to the home loads. Use Generac Smart Management Modules (SMMs) for load management. This design uses a 100 A SMM to lockout an entire subpanel during an outage. This design suitable for most residential 120 V / 240 V services.

Whole Home Backup / SMMs 2

- 1 PWRcell Inverter
- 6 PV Links
- 1 PWRcell Battery
- 1 CT Kit (incl.)
- 1 PWRcell ATS
- 3 Generac SMMs (max 8)





FOR REFERENCE ONLY; NOT FOR CONSTRUCTION.
 *Installer responsible for code compliance.
 *Refer to product manuals for additional installation details and requirements.
 *Install SnapRS in PV array for module-level PVRSS requirements, one SnapRS per PV module.

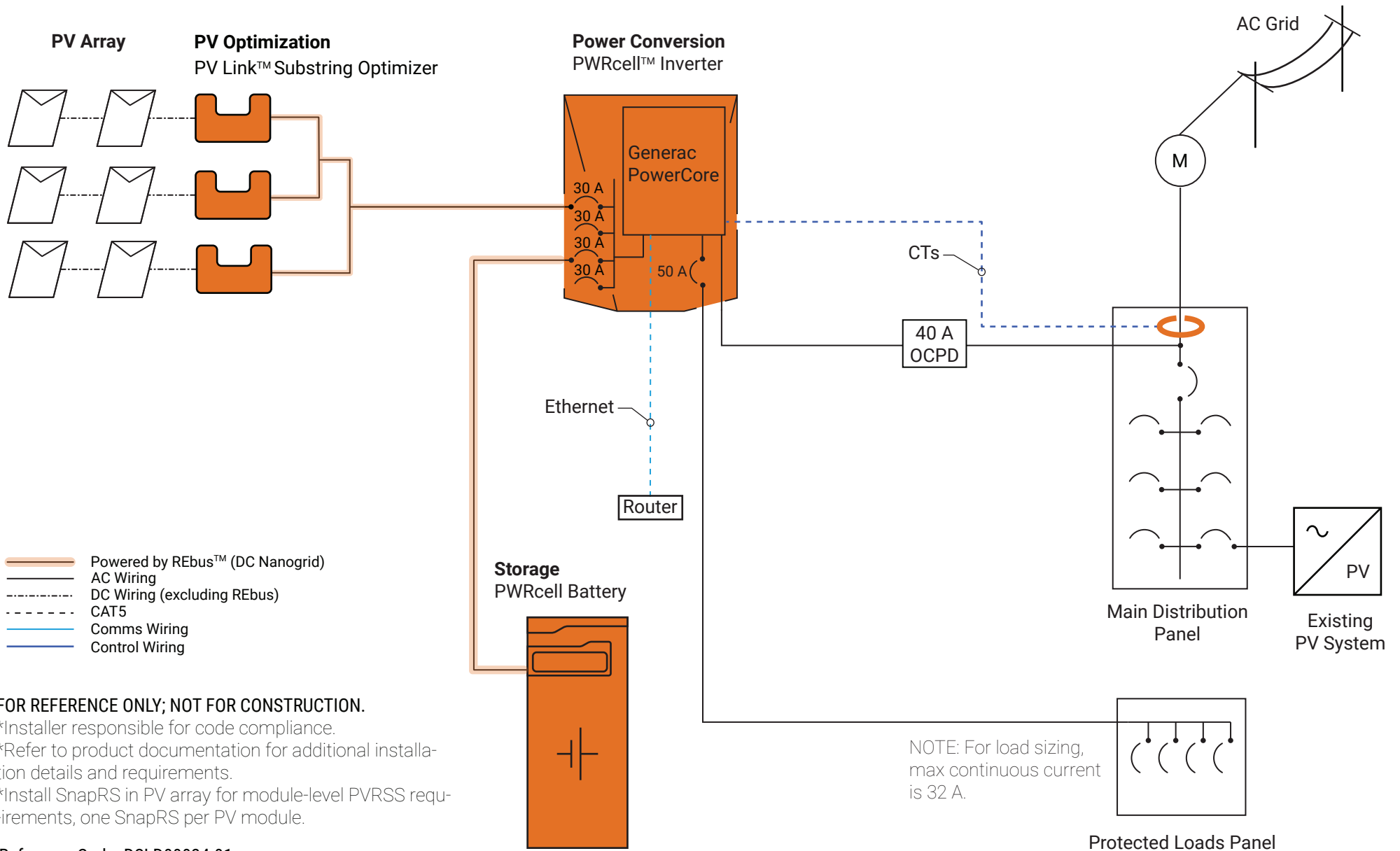
Reference Code: DSLD00016-03

This design shows two PWRcell systems, each connected to a PWRcell ATS for whole home backup. This system configuration will provide backup power to essential loads split between two sub-panels fed by meter-main combination equipment. This solution also applies to designs with separate meter and service panel equipment. Utilize Generac load management as needed in accordance with NEC 702.4(B) and Article 220. If preferred, non-essential loads can be left in the meter-main where they will not be powered during a utility service interruption. This design is acceptable for most residential 400 A 120 V / 240 V services.

Whole Home Backup / 400 A Meter-Main

- 2 PWRcell Inverter
- 6 PV Links
- 2 PWRcell Battery
- 2 CT Kit (incl.)
- 2 200 A PWRcell ATS
- 4 SMMs





FOR REFERENCE ONLY; NOT FOR CONSTRUCTION.

- *Installer responsible for code compliance.
- *Refer to product documentation for additional installation details and requirements.
- *Install SnapRS in PV array for module-level PVRSS requirements, one SnapRS per PV module.

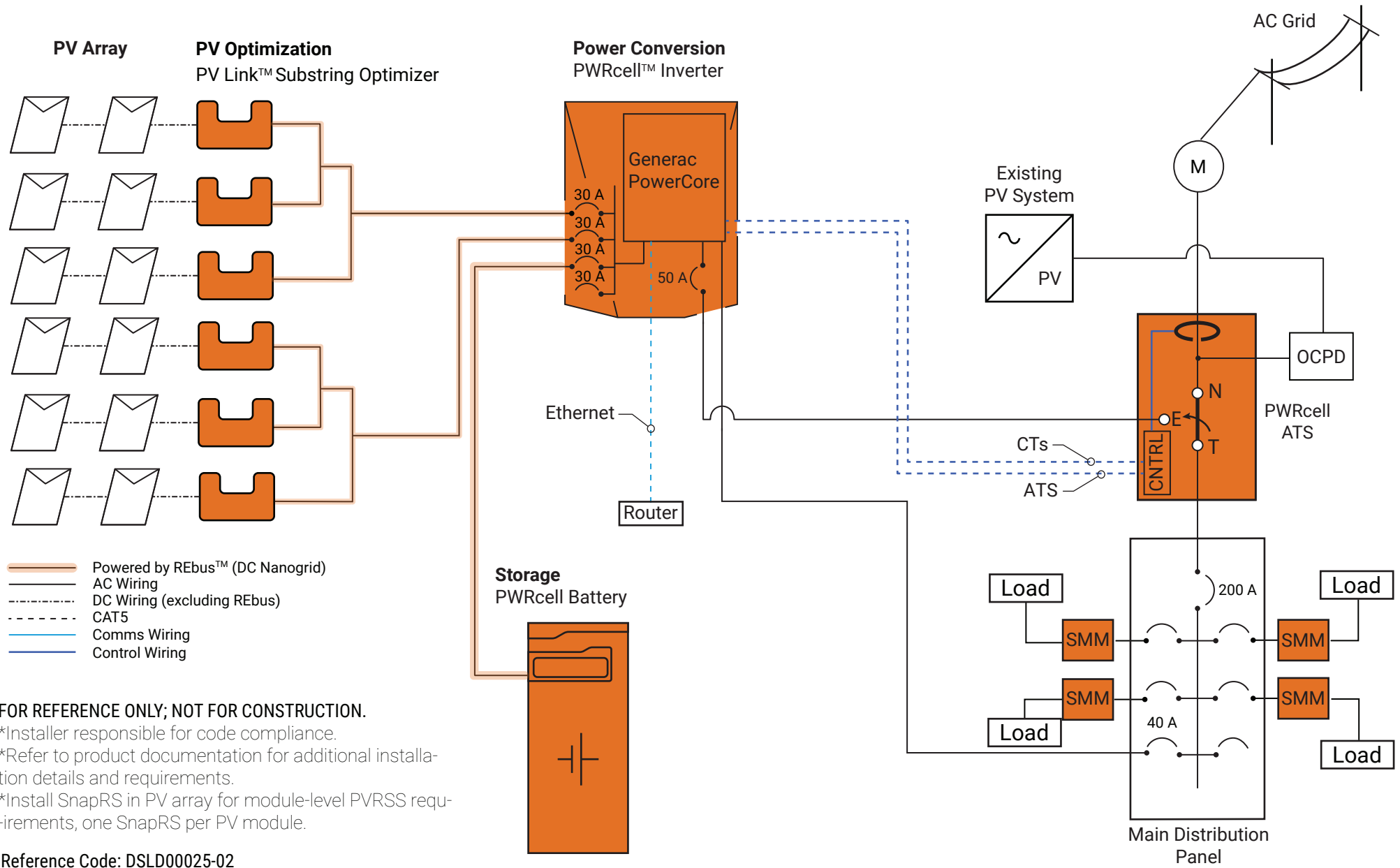
Reference Code: DSLD00024-01

This design shows a Generac PWRcell system with a Protected Loads panel to provide backup power to essential loads. An existing PV system is not coupled to the PWRcell system and will not be supported during a grid outage. It is suitable for most residential 120 V / 240 V services.

Protected Loads / Existing PV System

- 1 PWRcell Inverter
- 3 PV Links (max 6)
- 1 PWRcell Battery
- 1 CT Kit (included)





FOR REFERENCE ONLY; NOT FOR CONSTRUCTION.

- *Installer responsible for code compliance.
- *Refer to product documentation for additional installation details and requirements.
- *Install SnapRS in PV array for module-level PVRSS requirements, one SnapRS per PV module.

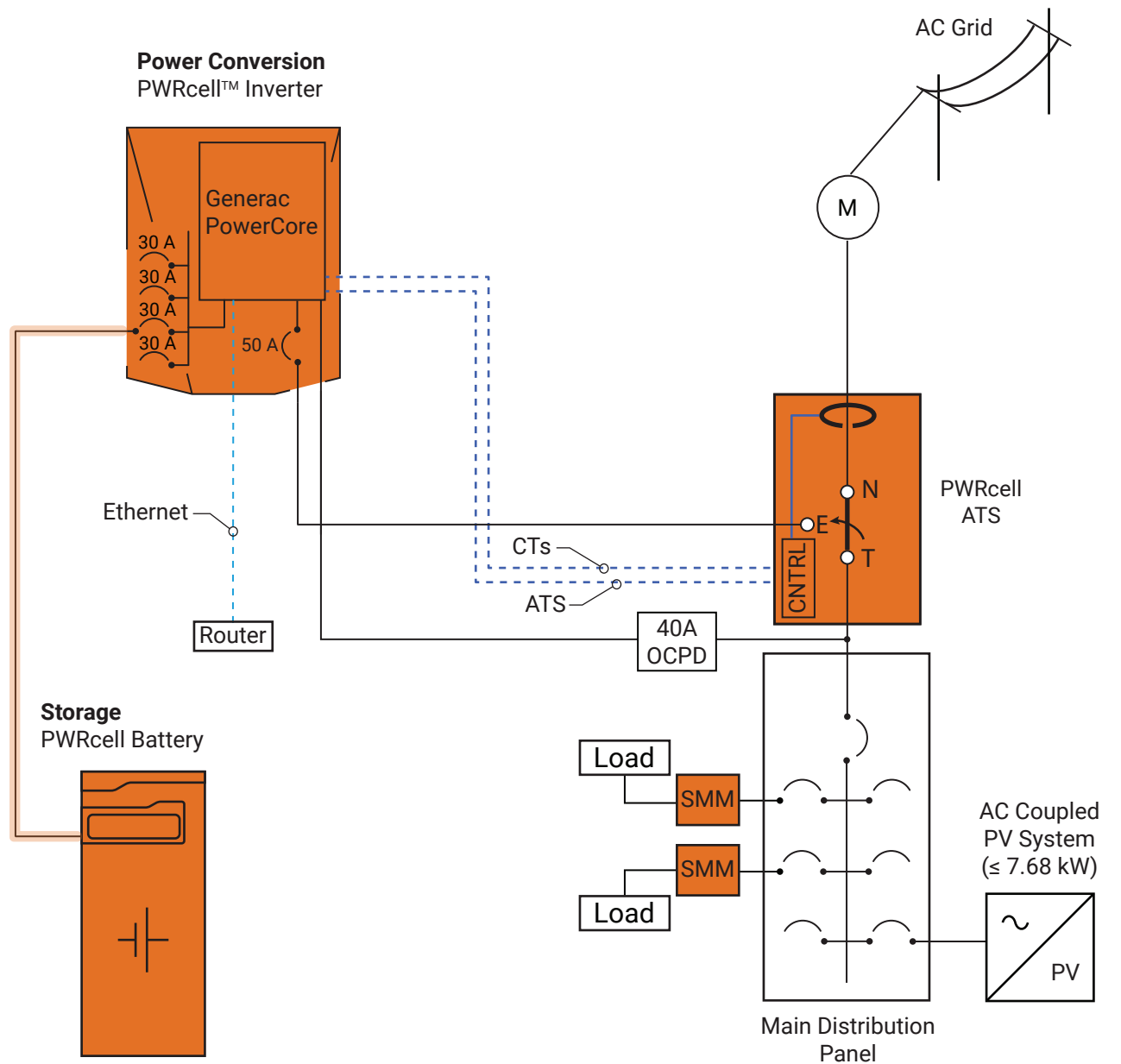
Reference Code: DSLD00025-02

This design shows a Generac PWRcell system with a PWRcell ATS for whole home backup. An existing PV system is not coupled to the PWRcell system and will not be supported during a grid outage. Use this design to provide backup power to the home loads using Generac Smart Management Modules (SMMs) for load management. It is suitable for most residential 120 V / 240 V services.

Whole Home Backup / Existing PV System

- 1 PWRcell Inverter
- 6 PV Links
- 1 PWRcell Battery
- 1 CT Kit (incl.)
- 1 PWRcell ATS
- 4 Generac SMMs (max 8)





- Powered by REbus™ (DC Nanogrid)
- AC Wiring
- - - - - DC Wiring (excluding REbus)
- CAT5
- Comms Wiring
- Control Wiring

FOR REFERENCE ONLY; NOT FOR CONSTRUCTION.

*Installer responsible for code compliance.

*Refer to product documentation for additional installation details and requirements.

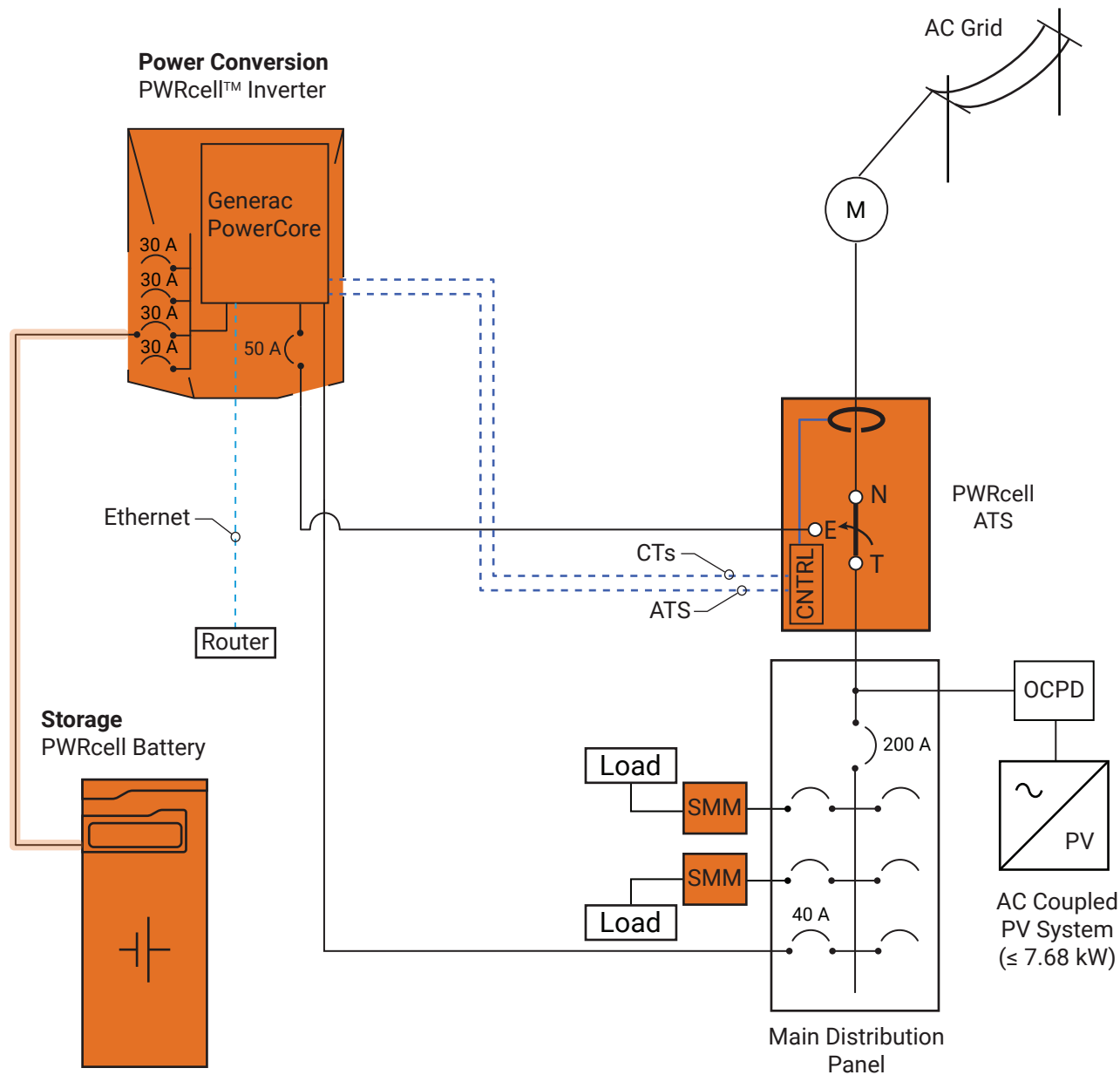
Reference Code: DSLD00021-02

This design shows a Generac PWRcell system with a PWRcell ATS in a whole home backup configuration utilizing AC coupled PV to charge the PWRcell Battery during an outage. This design also provides backup power to house loads during an outage using SMMs for load management. It is suitable for most residential 120 V / 240 V services.

AC Coupled PV / PV Backfeed Breaker

- 1 PWRcell Inverter
- 1 PWRcell Battery
- 2 Generac SMMs (max 8)
- 1 CT Kit (incl.)
- 1 PWRcell ATS





- Powered by REbus™ (DC Nanogrid)
- AC Wiring
- - - - - DC Wiring (excluding REbus)
- · · · · CAT5
- Comms Wiring
- Control Wiring

FOR REFERENCE ONLY; NOT FOR CONSTRUCTION.

*Installer responsible for code compliance.
 *Refer to product documentation for additional installation details and requirements.

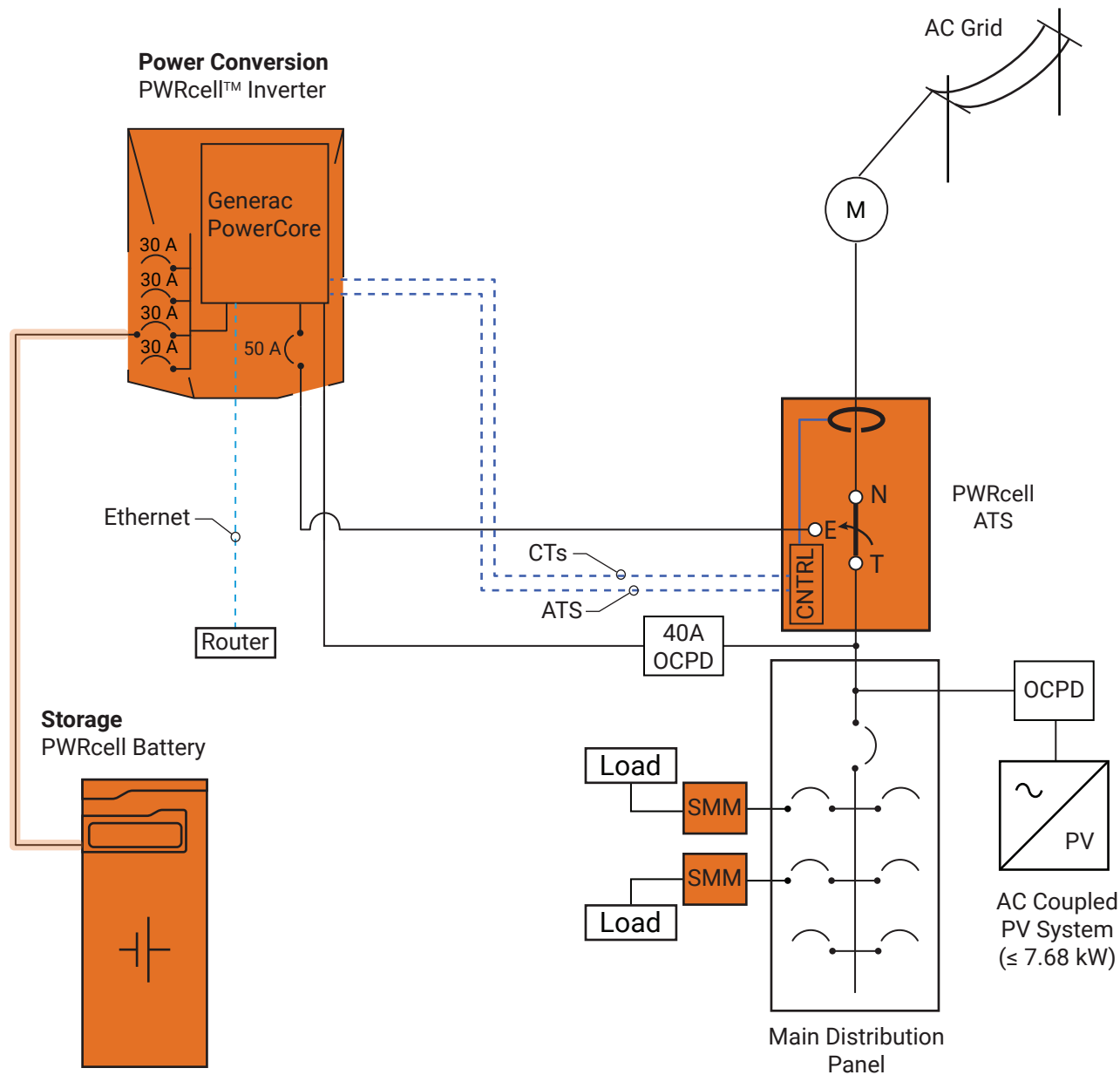
Reference Code: DSLD00019-03

This design shows a Generac PWRcell system with a PWRcell ATS in a whole home backup configuration utilizing AC coupled PV to charge the PWRcell Battery during an outage. This design also provides backup power to house loads during an outage using SMMs for load management. It is suitable for most residential 120 V / 240 V services.

AC Coupled PV / PV Tap Connection

- 1 PWRcell Inverter
- 1 PWRcell Battery
- 2 Generac SMMs (max 8)
- 1 CT Kit (incl.)
- 1 PWRcell ATS





- Powered by REbus™ (DC Nanogrid)
- AC Wiring
- - - - - DC Wiring (excluding REbus)
- · - · - CAT5
- Comms Wiring
- Control Wiring

FOR REFERENCE ONLY; NOT FOR CONSTRUCTION.

*Installer responsible for code compliance.

*Refer to product documentation for additional installation details and requirements.

Reference Code: DSLD00020-03

This design shows a Generac PWRcell system with a PWRcell ATS in a whole home backup configuration utilizing AC coupled PV to charge the PWRcell Battery during an outage. This design also provides backup power to house loads during an outage using SMMs for load management. It is suitable for most residential 120 V / 240 V utility services.

AC Coupled PV / PV + Inverter Tap Connections

- 1 PWRcell Inverter
- 1 PWRcell Battery
- 2 Generac SMMs (max 8)
- 1 CT Kit (incl.)
- 1 PWRcell ATS

