



Fronius Primo 208-240: Symbol Explanations and Choosing the Location Notes on Installation and Connection

EN-US

Operating Instructions

Inverter for grid-connected photo-voltaic systems





Contents


Symbol Explanations	5
Explanation of Safety Instructions.....	5
Explanation of Symbols – Selecting a Location.....	5
Symbol Explanations – Installation Position	7
Choosing the Location	9
Intended Use.....	9
Selecting a Location – General Information for Fronius Primo 3.8–8.2	9
Selecting a Location – General Information for Fronius Primo 10.0–15.0	10
Installation information	11
Auswahl von Dübel und Schrauben.....	11
Screw Recommendation.....	11
Attaching the Wall Bracket.....	11
Installing the Inverter on a Mast.....	12
Notes on the Knockouts	13
General	13
Knock or drill out knockouts	13
Suitable Grids	15
Suitable Grids	15
Notes on connection area	16
Permitted cables	16
Connecting Aluminum Cables.....	16
Notes on grid connection	18
Monitoring the Grid	18
AC Connection.....	18
Maximum AC fuse protection.....	19
Additional external AC and/or DC disconnect.....	19
Notes on DC Connection	20
General Information about Solar Modules	20
Inverter DC Connection	20
Multi MPP Tracker Inverter – Fronius Primo 3.0–8.2.....	20
Multi MPP Tracker Inverter – Fronius Primo 10.0–15.0.....	22
Notes on Laying Data Communication Cables	23
Laying Data Communication Cables.....	23
Notes on Clipping the Inverter into the Wall Bracket	24
Clipping the Inverter onto the Wall Bracket.....	24
Notes on Anti-theft device	25
Anti-Theft Device	25
Notes on Software Updates	27
Notes on Software Updates	27
USB Stick as a Data Logger and for Updating Inverter Software	28
USB stick as a data logger.....	28
Data on the USB stick.....	28
Data Quantity and Memory Capacity	29
Buffer Memory	29
Suitable USB Sticks	30
USB Stick for Updating Inverter Software.....	30
Removing the USB Stick.....	31
Notes on Maintenance	32
Maintenance	32
Cleaning.....	32
Serial Number Sticker for Customer Use.....	33
Serial Number Sticker for Customer Use.....	33


Symbol Explanations

Explanation of Safety Instructions

 **DANGER!** Indicates an immediate danger. Death or serious injury may result if appropriate precautions are not taken.

 **WARNING!** Indicates a possibly dangerous situation. Death or serious injury may result if appropriate precautions are not taken.

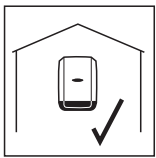
 **CAUTION!** Indicates a situation where damage or injury could occur. Minor injury or damage to property may result if appropriate precautions are not taken.

 **NOTE!** Indicates the possibility of flawed results and damage to the equipment.

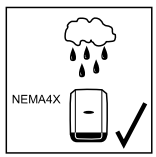
IMPORTANT! Indicates tips for correct operation and other particularly useful information. It does not indicate a potentially damaging or dangerous situation.

If you see any of the symbols depicted in the "Safety Rules," special care is required.

Explanation of Symbols – Selecting a Location

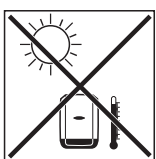


The inverter is suitable for indoor installation.

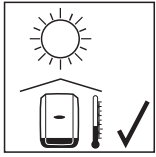


The inverter is suitable for outdoor installation.

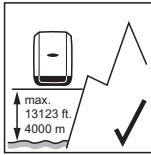
Because of its NEMA4X protection class, the inverter is not susceptible to hose water on any side and can also be operated in moist environments.



In order to keep inverter heating as low as possible, the inverter should not be exposed to direct sunlight. Ideally, the inverter should be installed in a protected location, e.g., near the solar modules or under an overhanging roof.

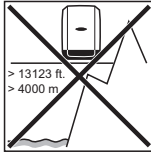


Fronius Primo 3.8–8.2

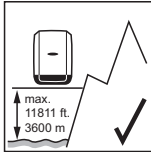


Altitude above sea level: up to 13,123 ft (4000 m)

IMPORTANT! The inverter must not be installed or operated above an altitude of 13,123 ft. (4000 m).

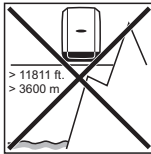


Fronius Primo 10.0–15.0



Altitude above sea level: up to 11,811 ft (3600 m)

IMPORTANT! The inverter must not be installed or operated above an altitude of 11,811 ft. (3600 m).



Do not install the inverter:

- where it may be exposed to ammonia, corrosive gases, acids or salts (e.g., fertilizer storage areas, vent openings for livestock stables, chemical plants, tanneries).



During certain operation phases the inverter may produce a slight noise. For this reason it should not be installed in an occupied living area.



Do not install the inverter in:

- areas where there is an increased risk of accidents, e.g., from farm animals (horses, cattle, sheep, pigs, etc.)
- stables or adjoining areas
- storage areas for hay, straw, chaff, animal feed, fertilizers, etc.



The inverter is designed to be dustproof in principle. However, in areas of high dust accumulation, the cooling surfaces can become dusty, which can impair the thermal performance. In this case, the dust must be removed regularly. We therefore recommend that installation is not carried out in areas and environments with high dust accumulation.



Do not install the inverter in:

- greenhouses
- storage or processing areas for fruit, vegetables, or viticulture products
- areas used in the preparation of grain, green fodder, or animal feeds.

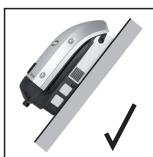
Symbol Explanations – Installation Position



The inverter is suitable for vertical installation on a vertical wall or pillar.



The inverter is suitable for horizontal installation.



The inverter is suitable for installation on an inclined surface.



Do not install the inverter on an inclined surface with the connection sockets facing upwards.



Do not install the inverter in a sloping position on a vertical wall or pillar.



Do not install the inverter in a horizontal position on a vertical wall or pillar.



Do not install the inverter on a vertical wall or pillar with the connection sockets facing upwards.



Do not install the inverter so that it is overhanging with the connection sockets facing upwards.



Do not install the inverter so that it is overhanging with the connection sockets facing downwards.



Do not install the inverter on the ceiling.

Choosing the Location

Intended Use

The inverter is designed exclusively to be connected and used with nongrounded solar modules. The solar modules cannot be grounded at either the positive or negative pole.

The solar inverter is designed exclusively to convert direct current from solar modules into alternating current and feed this power into the public grid.

The following are deemed not to be in conformity with its intended purpose:

- utilization for any other purpose, or in any other manner
- alterations to the inverter that are not expressly recommended by Fronius
- installation of components that are not expressly recommended or sold by Fronius.

The manufacturer is not responsible for any damage resulting from improper use.

All warranty claims are considered void in such cases.

Proper use also means

- carefully reading and obeying all the instructions and safety and danger notices in the operating instructions
- carrying out all the specified inspection and servicing work
- installation as per operating instructions.

When configuring the photovoltaic system, make sure that all photovoltaic system components are operating completely within their permitted operating range.

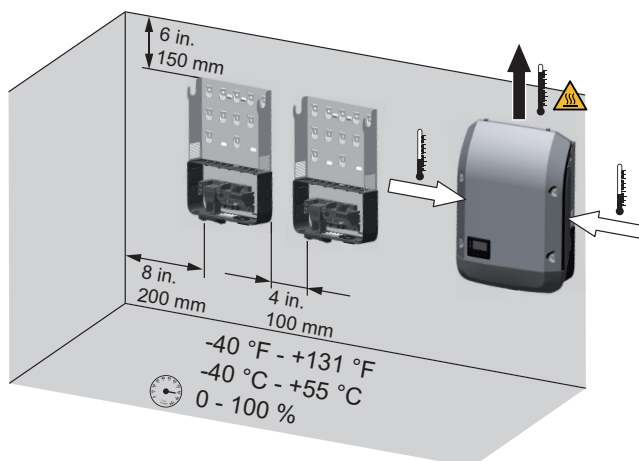
All measures recommended by the solar module manufacturer for maintaining solar module properties must be followed.

Utility company regulations regarding grid power feed must be followed.

Selecting a Location – General Information for Fronius Primo 3.8–8.2

Please note the following criteria when choosing a location for the inverter:

Only install on a solid surface



Max. ambient temperatures:
-40°F to +131°F
(-40°C to +55°C)

Relative humidity:
0–100%

The air flow direction within the inverter is from left and right to top (cold air intake on the left and right, hot air outflow at the top). The waste air can reach a temperature of 70°C.

When installing the inverter in a switch cabinet or similar closed environment, it is necessary to make sure that the hot air that develops will be dissipated by forced-air ventilation.

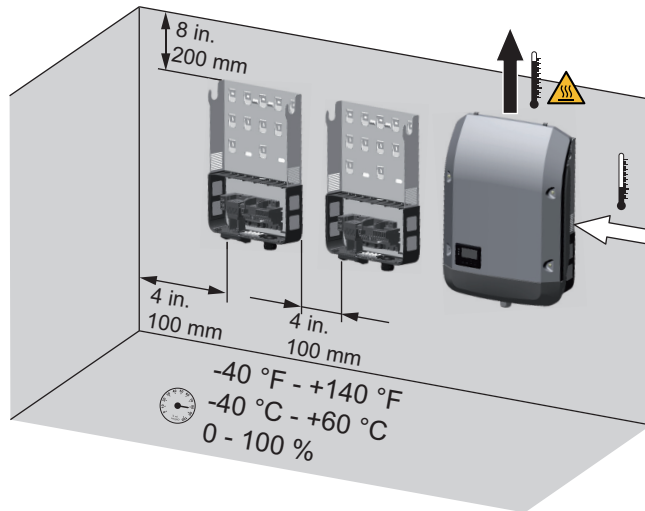
If you wish to install the inverter on the outer walls of a cattle shed, it is important to maintain a minimum clearance of 6 ft. 7 in. (2 m) between all sides of the inverter and air vents and other openings.

The place of installation should not be exposed to ammonia, corrosive gases, salts, or acids.

Selecting a Location – General Information for Fronius Primo 10.0–15.0

Please note the following criteria when choosing a location for the inverter:

Only install on a solid surface



Max. ambient temperatures:
-40°F to +140°F
(-40°C to +60°C)

Relative humidity:
0–100%

The air flow direction within the inverter is from right to top (cold air intake on the right, hot air outflow at the top).

When installing the inverter in a switch cabinet or similar closed environment, it is necessary to make sure that the hot air that develops will be dissipated by forced-air ventilation.

If you wish to install the inverter on the outer walls of a cattle shed, it is important to maintain a minimum clearance of 6 ft. 7 in. (2 m) between all sides of the inverter and air vents and other openings.

The place of installation should not be exposed to ammonia, corrosive gases, salts, or acids.

Installation information

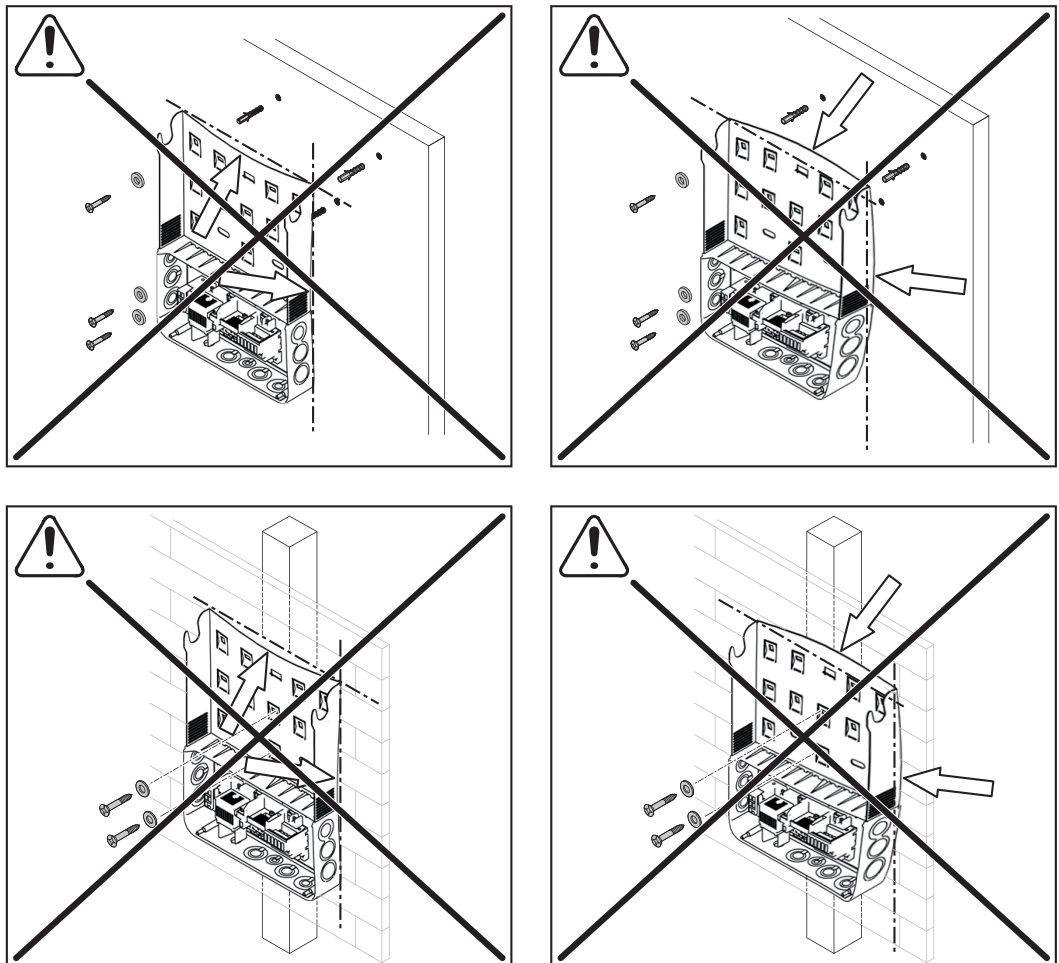
Auswahl von Dübel und Schrauben

IMPORTANT! Je nach Untergrund ist unterschiedliches Befestigungsmaterial für die Montage der Montagehalterung erforderlich. Das Befestigungsmaterial ist daher nicht im Lieferumfang des Wechselrichters enthalten. Der Monteur ist für die richtige Auswahl des Befestigungsmaterials selbst verantwortlich.

Screw Recommendation

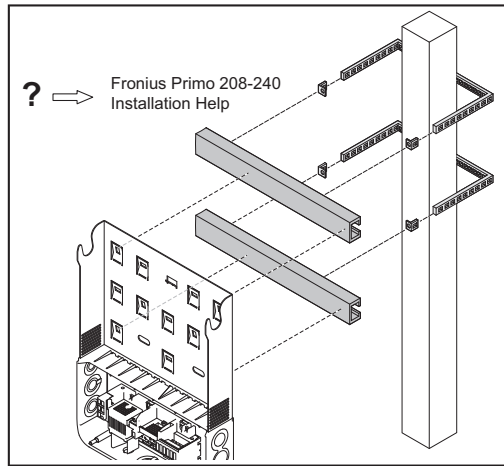
To install the inverter, the manufacturer recommends using steel or aluminum screws with a diameter of 0.2–0.3 in. (6–8 mm).

Attaching the Wall Bracket



NOTE! When attaching the wall bracket to the wall or a pillar, make sure that the wall bracket is not warped or deformed.

Installing the Inverter on a Mast



Example of a mast mounting kit

For installation of the inverter on a mast or beam, Fronius recommends using the "Pole clamp" (order no. SZ 2584.000) mast mounting kit from Rittal GmbH.

The kit can be used to mount the inverter on round or rectangular masts with the following diameters: \varnothing from 40 to 190 mm (round)

□ from 50 to 150 mm (rectangular)

Notes on the Knockouts

General

The wall bracket contains several knockouts of different sizes. When knocked out, the openings are used for the inputs of various wires.

1/2 in. for data communication cable (DATCOM)

for Fronius Primo 3.8-8.2:

3/4 in. for AC and DC cables

for Fronius 10.0-15.0:

3/4 in. - for AC and DC cables

1 1/4 in.

* A grounding electrode terminal may be required depending on local regulations. The cable for the ground electrode terminal can be fed through the designated opening on the underside of the wall bracket.

IMPORTANT! The knockouts on the rear of the wall bracket are made of metal.



CAUTION! Danger of short circuit from loose metal parts from knockouts. Loose metal parts in the inverter may cause short circuits when the inverter is powered up. When removing knockouts, make sure that

- no loose metal parts fall into the connection area of the inverter,
- any metal pieces that do fall into the connection area are removed immediately.

Knock or drill out knockouts

IMPORTANT! The side knockouts and the knockouts on the underside of the wall bracket may be knocked out using a hammer or screwdriver, or drilled out using a step drill. The knockouts at the back may only be drilled out using a step drill.



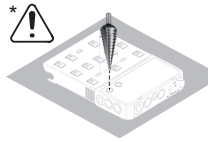
Use suitable eye protection when knocking/drilling out the knockouts.

Only knock out knockouts using a hammer or screwdriver from the inside outwards.

Only use suitable step drills to drill out the knockouts.
Do not use spiral drills for drilling out!

Only drill out knockouts using a step drill from the outside inwards.

When drilling out using a step drill, ensure that the DC disconnect and the AC/DC connection block are not damaged.



When drilling out the knockouts at the back, place the wall bracket on an even surface with the back upwards so that shavings and pieces of metal can fall out of the wall bracket.

Attach appropriate conduits to all knocked/drilled out knockouts. In the event of installation outside, only use watertight conduits and conduit fittings.

Conduits and conduit fittings are not included with the inverter.

Suitable Grids

Suitable Grids

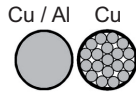
Inverters can be operated on the following grids:

- 208 V Delta - Corner Grounded, without neutral conductor
- 208 V Delta: 120 V WYE, with neutral conductor
- 220 V Delta - Corner Grounded, without neutral conductor
- 220 V Delta: 127 V WYE, with neutral conductor
- 240 V Delta - Corner Grounded, without neutral conductor
- 240 V: 120 V WYE, with neutral conductor
- 240 V: 120 V split phase, with neutral conductor

- 50 Hz (220 V Delta - Corner Grounded, 50 Hz, without neutral conductor)
- 50 HN (220 V Delta: 127 V WYE, 50 Hz, with neutral conductor)

Notes on connection area

Permitted cables Cables with the following design can be connected to the AC and DC terminals of the inverter:



- Copper or aluminum: round, solid
- Copper: round, stranded, up to conductor class 4

Fronius Primo 3.8–8.2

Cable cross-sections:

Cu: min. AWG 14 – max. AWG 6
Al: AWG 6

Terminal tightening torque:

16 lbf.in / 1.33 t. lb. / 1.8 Nm

Fronius Primo 10.0–15.0

Cable cross-sections:

Cu : min. AWG 14 - max. AWG 2
Al : AWG 6

DC =

Cu: min. AWG 14 - max. AWG 6
Al : AWG 6

Cu / Al: min. AWG 4 - max. AWG 2 (with optional input combiner)

AC ~

Cu: min. AWG 10 - max. AWG 2;
AWG 6 - AWG 2 (for solid / stranded / fine stranded cables)

Multi-contact: AWG12

Terminal tightening torque:

AC ~
31 lbf.in / 2.58 ft. lb. / 3.5 Nm

DC =

16 lbf.in / 1.33 ft. lb. / 1.8 Nm

Connecting Aluminum Cables

The terminals are designed for connecting single-wire, round aluminum cables. The following points must be taken into account when connecting aluminum cables due to the non-conducting oxide layer of aluminum:

- reduced rated currents for aluminum cables
- the connection requirements listed below.



NOTE! Take into account local specifications when configuring cable cross sections.

Connection Requirements:

1 Carefully clean off the oxide layer of the stripped end of the cable, e.g., using a knife.

IMPORTANT! Do not use brushes, files, or sandpaper; aluminum particles may get stuck and can transfer to other cables.

- 2 After removing the oxide layer of the cable end, rub in a neutral grease, e.g., acid-free and alkali-free Vaseline.
- 3 Then immediately connect it to the terminal.

Repeat the steps above whenever the cable is disconnected and then reconnected.

Notes on grid connection

Monitoring the Grid

IMPORTANT! The resistance in the leads to the AC-side connection terminals must be as low as possible for optimal functioning of grid monitoring.

AC Connection



NOTE! Fronius Primo 3.8–8.2 only:

To ensure a proper ground connection, all 3 grounding terminals GND must be tightened with the specified torque during installation.



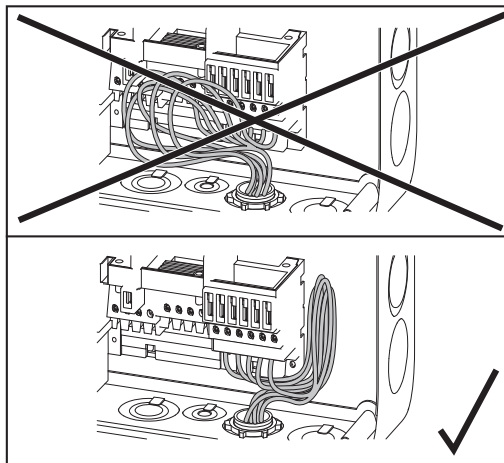
NOTE! Loop the AC cables when connecting them to the AC terminals:

Fronius Primo 3.8–8.2: min. 4 in. (102 mm)

Fronius Primo 10.0–15.0: in accordance with NEC

IMPORTANT! The ground conductor GND of the AC cable must be laid so that it is disconnected last.

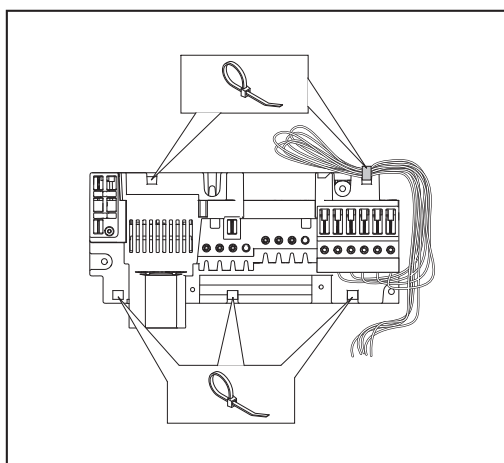
Measure the ground conductor GND longer, for example, and loop.



Example: Fronius Primo 3.8–8.2

If AC cables are laid over the shaft of the DC main switch or across the DC main switch connection block, the cables may be damaged when the inverter is pivoted or the inverter may not be able to be pivoted.

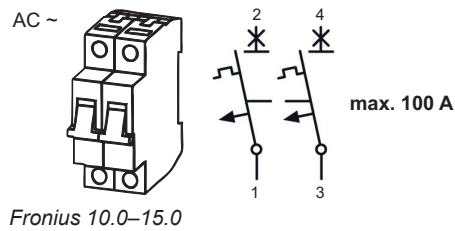
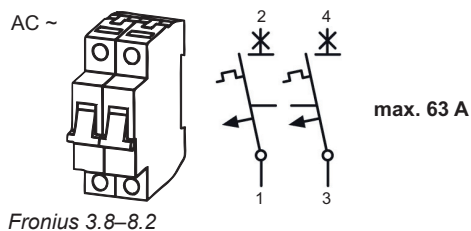
IMPORTANT! Do not lay AC cables over the shaft of the DC main switch or across the DC main switch connection block!



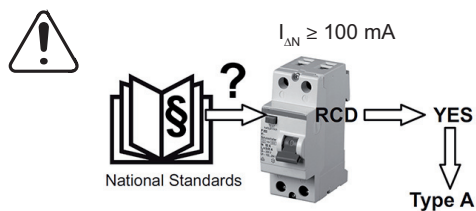
Example: AC cables (Fronius Primo 3.8–8.2)

If excessively long AC or DC cables are laid in loops in the connection area, fix the cables to the designated eyelets at the top and bottom of the connection block using cable ties.

Maximum AC fuse protection



Inverter	Phases	Max. output	Max. fuse protection
Fronius Primo 3.8-1 208-240	1 / 2	3800 W	63 A
Fronius Primo 5.0-1 208-240	1 / 2	5000 W	63 A
Fronius Primo 6.0-1 208-240	1 / 2	6000 W	63 A
Fronius Primo 7.6-1 208-240	1 / 2	7600 W	63 A
Fronius Primo 8.2-1 208-240	1 / 2	8200 W	63 A
Fronius Primo 10.0-1 208-240	1 / 2	10,000 W	100 A
Fronius Primo 11.4-1 208-240	1 / 2	11,400 W	100 A
Fronius Primo 12.5-1 208-240	1 / 2	12,500 W	100 A
Fronius Primo 15.0-1 208-240	1 / 2	15,000 W	100 A



NOTE! A residual current circuit breaker for the AC connecting cable may be required depending on local regulations, the power supply company as well as other conditions. A type A residual current circuit breaker with a trip current of at least 100 mA is generally sufficient in this case. Nevertheless, false alarms can be triggered for the type A residual current circuit breaker in individual cases and depending on local conditions. For this reason, Fronius recommends that you use a residual current circuit breaker suitable for a frequency converter.

Additional external AC and/or DC disconnect

Depending on the installation, an additional external AC and/or DC disconnect may be required if the inverter is installed in a location not easily accessible to utility or fire personnel. Contact your local authorities for additional information.

Notes on DC Connection

General Information about Solar Modules

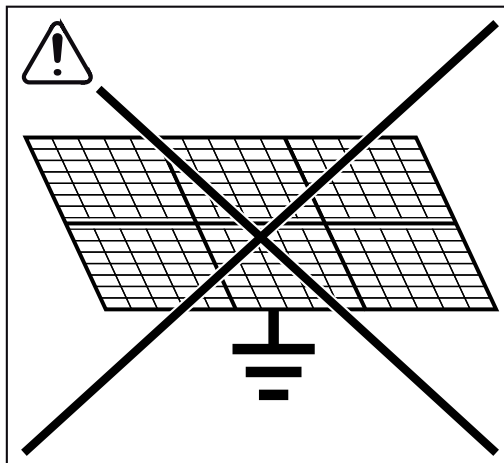
In order to select suitable solar modules and get the most efficient use out of the inverter, please note the following points:

- The open circuit voltage of the solar modules increases as the temperature decreases (assuming constant irradiance).
- Note the temperature coefficients in the solar module data sheet.
- More exact data for sizing the solar modules can be obtained using calculation tools such as the Fronius Configuration Tool (available at <http://www.solarweb.com>).
- See NEC table 690.7 for the appropriate code-related voltage adjustment factor for crystalline silicon modules, or use the manufacturer's specified voltage coefficient.



NOTE! Before connecting solar modules, make sure that the voltage specified by the manufacturer corresponds to the actual measured voltage. Note the safety instructions and specifications of the solar module manufacturer regarding solar module grounding.

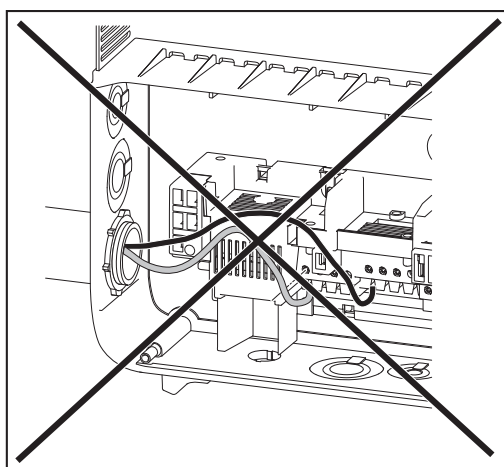
Inverter DC Connection



The inverter is designed exclusively to be connected and used with nongrounded solar modules.

The solar modules cannot be grounded at either the positive or negative pole.

IMPORTANT! Check the polarity and voltage of the solar module strings.



If DC cables are laid over the shaft of the DC main switch, or across the DC main switch connection block, they could be damaged when the inverter swivels in, or the inverter could be prevented from swiveling in.

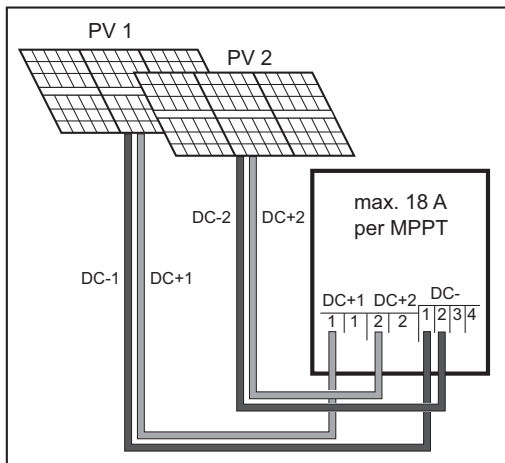
IMPORTANT! Do not lay the DC cable over the DC main switch or across the DC main switch connection block.

Multi MPP Tracker Inverter – Fronius Primo 3.0–8.2

Multi MPP Tracker inverters have 2 independent DC inputs (MPP Tracker). These inputs can be connected to a number of different modules.

Each MPP Tracker has 2 DC+ terminals. There are a total of 4 DC- terminals.

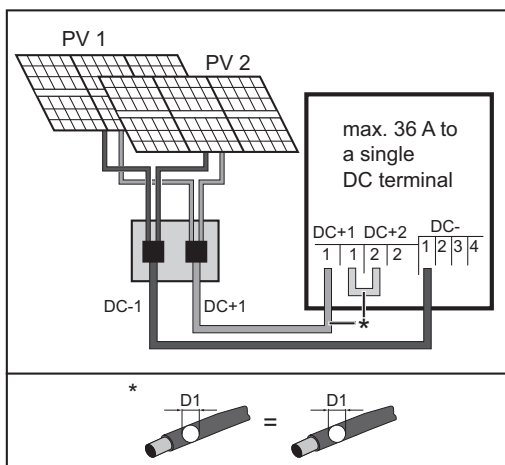
Connecting 2–4 strings in Multi MPP Tracker mode:



Connecting two solar module fields to a Multi MPP Tracker inverter

Connect the strings separately to the two MPP Tracker inputs (DC+1/DC+2). The DC- terminals can be used as desired, since they are connected internally. Set MPP TRACKER 2 to "ON" when starting for the first time (also possible in the basic menu subsequently).

Single MPP Tracker mode on a Multi MPP Tracker inverter:



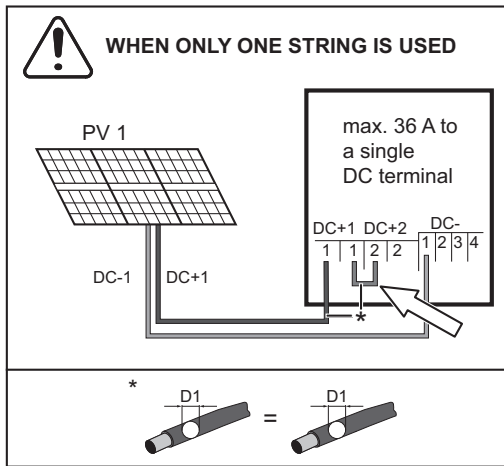
Connecting multiple combined solar module fields to a line on a Multi MPP Tracker inverter

If the strings are connected with a string collection box and only one collective line is used for connection to the inverter, connection DC+1 (pin 2) and DC+2 (pin 1) must be bridged. The cable cross-section of the DC connecting line and bridging wire must be the same. Bridging the DC- terminal is not necessary because it is bridged internally.

Set MPP TRACKER 2 to "OFF" when starting for the first time (also possible in the basic menu subsequently).

If the Multi MPP Tracker inverter is operated in Single MPP Tracker mode, the currents of the connected DC lines are distributed evenly across both inputs.

Single MPP Tracker mode with just one string on a Multi MPP Tracker inverter:



Connecting just one string to a Multi MPP Tracker inverter

If only one string is used for connection to the inverter, connection DC+1 (pin 2) and DC+2 (pin 1) must be bridged. The cable cross-section of the DC connecting line and bridging wire must be the same. Bridging the DC terminal is not necessary because it is bridged internally.

Set MPP TRACKER 2 to "OFF" when starting for the first time (also possible in the basic menu subsequently).

If the Multi MPP Tracker inverter is operated in Single MPP Tracker mode, the currents of the connected DC lines are distributed evenly across both inputs.

Multi MPP Tracker Inverter – Fronius Primo 10.0–15.0

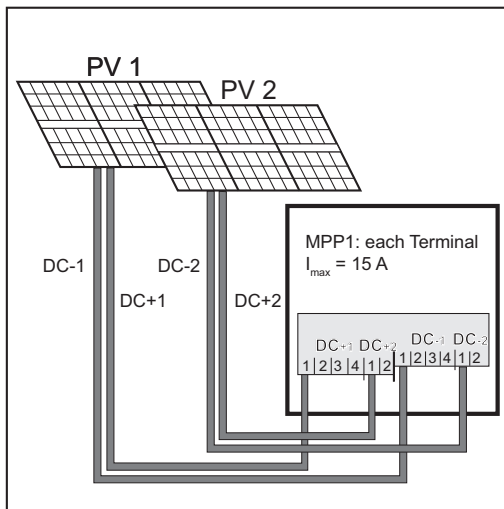
Multi MPP Tracker inverters have 2 independent DC inputs (MPP Tracker). These inputs can be connected to a number of different modules.

MPP Tracker 1 has 4 DC+ terminals.

MPP Tracker 2 has 2 DC+ terminals.

There are a total of 6 DC- terminals.

Connecting 2-6 strings in Multi MPP Tracker mode:



Connecting two solar module fields to a Multi MPP Tracker inverter

Connect the strings separately to the two MPP Tracker inputs (DC+1/DC+2). The DC- terminals can be used as desired, since they are connected internally. Set MPP TRACKER 2 to "ON" when starting for the first time (also possible in the basic menu subsequently).

Notes on Laying Data Communication Cables

Laying Data Communication Cables

IMPORTANT! The inverter must not be operated with one option card and 2 knocked-out option card slots.

In this case Fronius provides an appropriate dummy cover as an accessory:

42,0405,2020 ... for Fronius Primo 3.8–8.2

42,0405,2094 ... for Fronius Primo 10.0–15.0

IMPORTANT! If data communication cables are wired into the inverter, observe the following points:

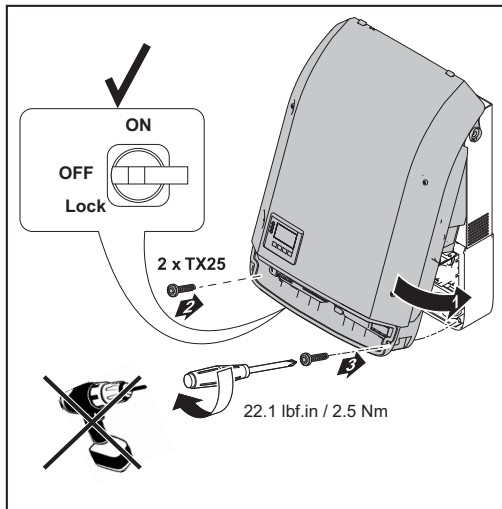
- Provide separate conduits for data communication cables
- Lay data communication cables in the supplied protective hose
- Knock out the appropriate opening
- Cleanly deburr the knocked-out opening

- Fronius Primo 3.9–8.2 only:
Insert the supplied cable gland into the opening (if both openings are knocked out, an additional cable gland 42,0405,2019 is required)

- Clip the inverter onto the wall bracket
- Guide the data communication cables through the cable glands from behind
- When pivoting the inverter, ensure that the cables are not trapped, kinked, or damaged in any other way. Do not loop the data communication cables.
- Lay the data communication cables in the data communication area of the inverter and connect to the Solar Net "IN" and "OUT" connections.
Plug the termination plugs into the remaining Solar Net connections.

Notes on Clipping the Inverter into the Wall Bracket

Clipping the Inverter onto the Wall Bracket



The side areas of the housing cover are designed to function as carrying grips and/or handles.

NOTE! The inverter is fitted with a lock for safety reasons, which allows the inverter to be pivoted in the wall bracket only when the DC main switch is off.

- Only clip on and pivot the inverter in the wall bracket when the DC main switch is off.
- Do not use excessive force to clip on the inverter and pivot it.

The fixing screws in the data communication area of the inverter are used to fix the inverter to the wall bracket. Fixing screws must be properly tightened to ensure correct contact between the inverter and the wall bracket.



CAUTION! Danger of damaging the inverter due to improperly tightened fixing screws.

Improperly tightened fixing screws may cause arcs to occur when the inverter is operated, which may lead to fire. Always tighten the fixing screws with the specified torque.

Notes on Anti-theft device

Anti-Theft Device Fronius Primo 3.8–8.2 only

An optional anti-theft device is included in the scope of delivery. If required, the anti-theft device is installed before the inverter is screwed to the wall bracket.

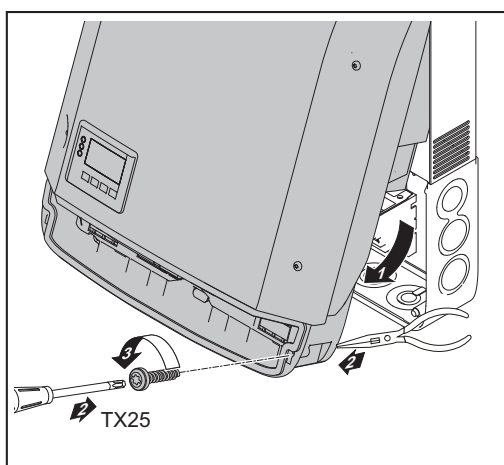
To ensure that the fixing screws cannot fall out in the inverter's data communications area, these are fitted with a screw release.

To remove the fixing screw from the inverter

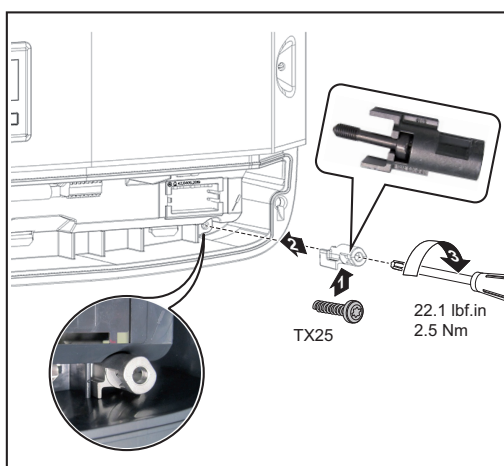
- Push the fixing screw upwards from the other side e.g. using needle-nose pliers
- Undo the fixing screw

Mounting the Anti-Theft Device

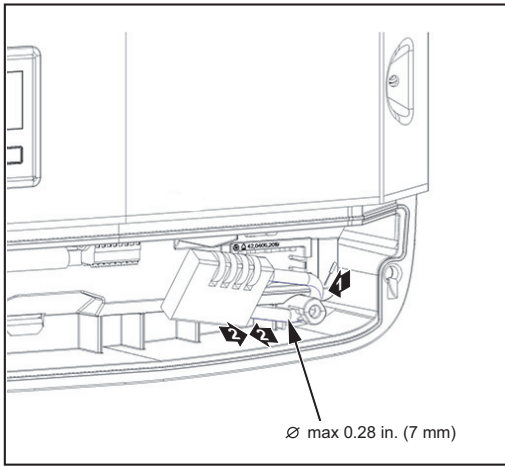
IMPORTANT! Please refer to the instructions for attaching the inverter to the wall bracket.



- 1 Swing the inverter out
- 2 Push the fixing screw upwards from the other side e.g. using needle-nose pliers
- 3 Undo the fixing screw



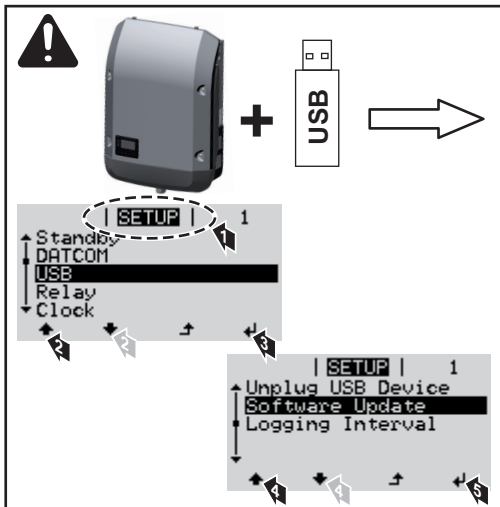
- 4 Insert the fixing screw into the anti-theft device
- 5 Insert the anti-theft device plus fixing screw into the inverter
- 6 Swing the inverter in
- 7 Tighten both fixing screws to the specified torque



8 Fit the padlock to the anti-theft device

Notes on Software Updates

Notes on Software Updates



- 1 Insert the USB stick in the inverter data communication area
- 2 Access the Setup menu
- 3 Select the "USB" menu item
- 4 Select "Update Software"
- 5 Install the update

USB Stick as a Data Logger and for Updating Inverter Software

USB stick as a data logger

A USB stick connected to the USB A socket can act as a data logger for an inverter.

Logging data saved to the USB stick can at any time

- be imported into the Fronius Solar.access software via the included FLD file,
- be viewed directly in third-party applications (e.g., Microsoft® Excel) via the included CSV file.

Older Excel versions (up to Excel 2007) have a row limit of 65536.

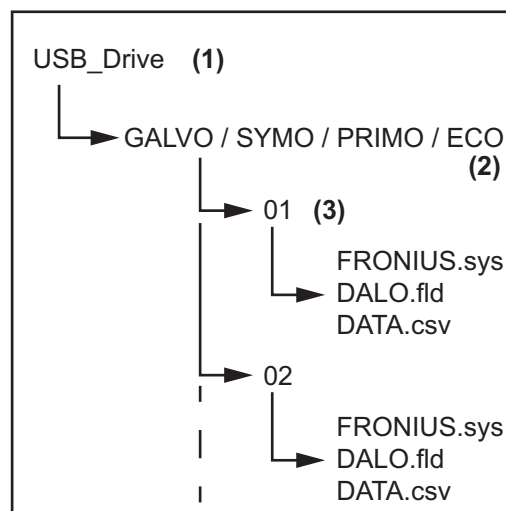
Data on the USB stick

If the USB stick is used as a datalogger, three files are automatically created:

- FRONIUS.sys system file:
This file saves information from the inverter that is irrelevant to the customer. The file must not be deleted individually. Only delete all files together (sys, fld, csv).
- DALO.fld log file:
Log file for reading out data in Fronius Solar.access.

You can find additional information on the Fronius Solar.access Software in the "DAT-COM Detail" operating instructions at <http://www.fronius.com>

- DATA.csv log file:
A log file for reading out data in a spreadsheet program (e.g., Microsoft® Excel)



- (1) USB root directory
- (2) Fronius inverter (Fronius Galvo, Fronius Symo, Fronius Primo, or Fronius Eco)
- (3) Inverter number – can be set in the setup menu under DATCOM

If multiple inverters exist with the same inverter number, the three files are saved in the same folder. A number is appended to the file name (e.g., DALO_02.fld)

Data structure on the USB stick

Structure of the CSV file:

	(1)	(2)	(3)	(4)	(5)	(6)	(7)	
	A	B	C	D	E	F	G	H
1	SerialNr.:123456789987456321'							
2	Date	Time	Inverter No.	Device Type	Periode [s]	Energy [Ws]	Energy L[Var]	Energy C[Var]
3	30.03.2013	17:15:19	1	247				
4	30.03.2013	17:15:19	1	247				
5	30.03.2013	17:15:19	1	247				
6	30.03.2013	17:15:20	1	247				

I	J	K	L	M	N	O	P	Q	R	S
Uac L1 [V]	Uac L2 [V]	Uac L3 [V]	Iac L1 [A]	Iac L2 [A]	Iac L3 [A]	Udc S1[V]	Idc S1[A]	Description		
								Display Information		
								V0.1.5 Build 0		
								28.03.2013 23:59:49 Info 017, Counter 0092		
								Logging Start		

- (1) ID
- (2) Inverter no.
- (3) Inverter type (DATCOM code)
- (4) Logging interval in seconds
- (5) Energy in watt-seconds with reference to the logging interval
- (6) Inductive reactive power
- (7) Capacitive reactive power
- (8) Averages over the logging interval (AC voltage, AC current, DC voltage, DC current)
- (9) Additional information

Data Quantity and Memory Capacity

One USB stick with a memory capacity of 1 GB, for example, can record logging data at a logging interval of 5 minutes for approx. 7 years.

CSV file

CSV files can store only 65535 rows (data records) (up to Microsoft® Excel version 2007, afterwards there is no limit).

At a logging interval of 5 minutes, the 65535 rows are written within approx. 7 months (CSV data size of approx. 8 MB).

To avoid a loss of data, the CSV file should be backed up to a PC within these 7 months and deleted from the USB stick. If the logging interval is set longer, this time frame is extended accordingly.

FLD file

The FLD file should not be larger than 16 MB. At a logging interval of 5 minutes, this corresponds to a storage duration of approx. 6 years.

If the file exceeds this 16 MB limit, it should be backed up to a PC, and all data should be deleted from the USB stick.

After you have backed up the data and removed it from the USB stick, the stick should be immediately reinserted so that it can record logging data; no further steps are required.



NOTE! A full USB stick can lead to the loss of data or the overwriting of data. When inserting the USB stick, make sure that it has a sufficient memory capacity.

Buffer Memory

If the USB stick is removed (e.g. to back up data), the logging data are written to a buffer memory in the inverter.

As soon as the USB stick is reinserted, the data are automatically transferred from the buffer memory to the USB stick.

The buffer memory can store a maximum of 6 logging points. Data are logged only during inverter operation (power greater than 0 W). The logging interval is fixed at 30 minutes. This leads to a timeframe of 3 hours for recording data to the buffer memory.

When the buffer memory is full, the oldest data in the buffer memory are written over with the new data.

IMPORTANT! The buffer memory requires a constant power supply.

If there is an AC power outage during operation, all data in the buffer memory are lost. The automatic night switch-off must be deactivated so that the data are not lost at night (set "Night Mode" to ON – see chapter "Setting and Displaying Menu Items," section "Displaying and Setting Parameters in the 'DATCOM' Menu Item").

On the Fronius Eco, the buffer memory also functions with just a DC supply.

Suitable USB Sticks

Due to the number of USB sticks on the market, we cannot guarantee that every USB stick will be recognized by the inverter.

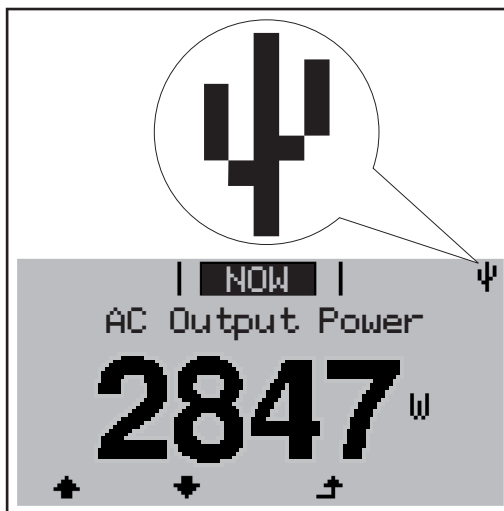
Fronius recommends using only certified, industrial USB sticks (look for the USB-IF logo).

The inverter supports USB sticks using the following file systems:

- FAT12
- FAT16
- FAT32

Fronius recommends that the USB stick only be used for recording logging data or for updating the inverter software. USB sticks should not contain any other data.

USB symbol on the inverter display, e.g., in the "NOW" display mode:



When the inverter recognizes a USB stick, the USB symbol will appear at the top right of the display.

When inserting the USB stick, make sure that the USB symbol is displayed (it may also be flashing).



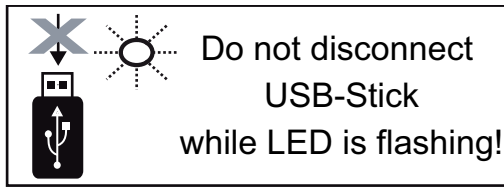
NOTE! Please be aware that in outdoor applications the USB stick may only function in a limited temperature range. Make sure, for example, that the USB stick will also function at low temperatures for outdoor applications.

USB Stick for Updating Inverter Software

The USB stick can be used to help end customers update inverter software via the USB menu item in the SETUP menu item: the update file is first saved on the USB stick and then transferred to the inverter. The update file must be saved in the USB stick root directory.

Removing the USB Stick

Safety information for removing a USB stick



IMPORTANT! To prevent a loss of data, the connected USB stick should only be removed under the following conditions:

- via the SETUP and "Safely remove USB / hardware" menu items
- when the "Data Transfer" LED is no longer flashing or illuminated.

Notes on Maintenance

Maintenance



NOTE! For horizontal installation positions and when installing outside: check once per year that all screws are secured tightly.

Maintenance and repair work must only be carried out by authorised personnel.

Cleaning

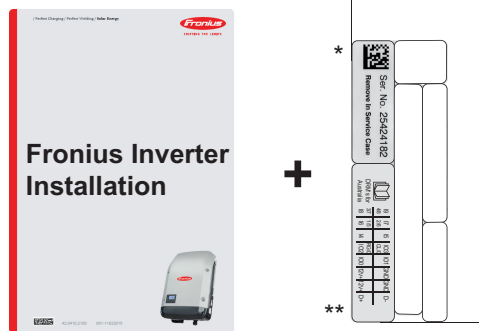
The inverter and the display can be cleaned with a damp cloth if necessary.
Do not use any cleaning agents, abrasive cleaners, or solvents to clean the inverter.

Serial Number Sticker for Customer Use

Serial Number Sticker for Customer Use



The inverter's serial number can be found on the rating plate on the bottom of the inverter. The installation position may make it difficult to access or read the serial number, e.g. if the inverter has been installed in a dark or shaded area.



Two serial number stickers are enclosed with the installation instructions for the inverter:

- * 57 x 20 mm
- ** 67 x 20 mm

The customer can attach these stickers themselves in a clearly visible place, e.g. on the front of the inverter or on the operating instructions.

Application example

only Australia

* Serial Number Sticker for Customer Use, 57 x 20 mm
 ** DRMs for **Australia** for Customer Use, 67 x 20 mm

Application example:
Serial number stickers on the operating instructions or on the front of the inverter.

Australia only:
Affix DRM Australia sticker in Datamanager area.

Fronius Worldwide - www.fronius.com/addresses

Fronius International GmbH
4600 Wels, Froniusplatz 1, Austria
E-Mail: pv-sales@fronius.com
<http://www.fronius.com>

Fronius USA LLC Solar Electronics Division
6797 Fronius Drive, Portage, IN 46368
E-Mail: pv-us@fronius.com
<http://www.fronius-usa.com>

Under <http://www.fronius.com/addresses> you will find all addresses of our sales branches and partner firms!