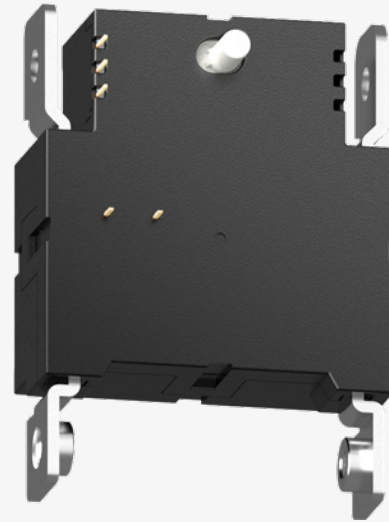


FranklinWH Main Load Relay

FranklinWH integrated black start into residential energy storage systems. When solar power is insufficient, the grid power is unavailable, and the aPower battery available power is exhausted, the system enters sleep mode and waits for a black start attempt.

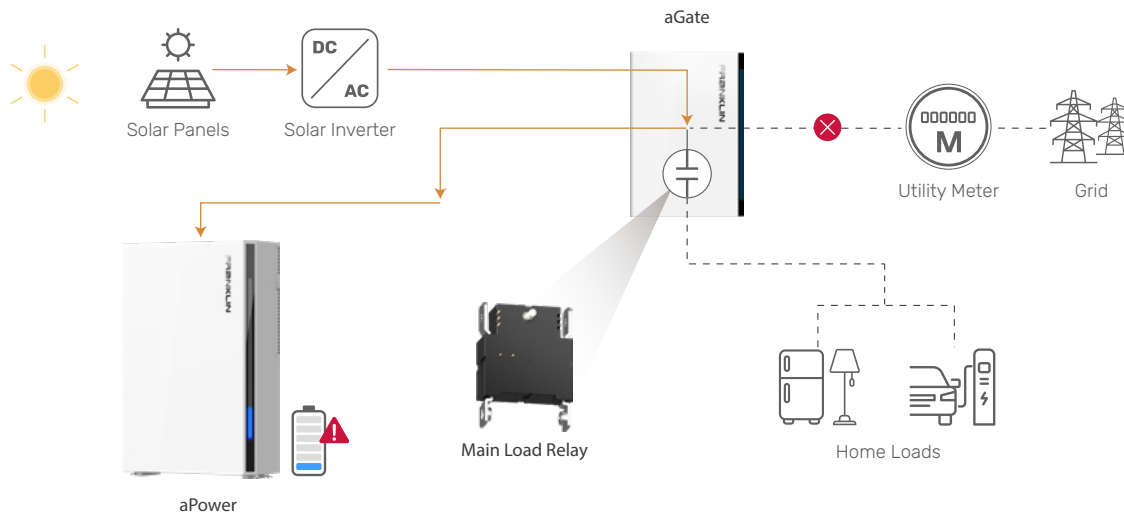


Enhanced Auto Black Start

FranklinWH Black Start attempts to restart a system at specified times each day by activating the photovoltaic (PV) system. With the standard black start, when solar energy supply is sufficient, the electricity generated by the photovoltaic system will be used to restart the Franklin Home Power System, power household loads, and charge the aPower batteries. If there are higher-power appliance connected to the backup load-side that consumes power, black start may fail.

With the optional Main Load Relay installed, the aGate will automatically disconnect load-side electrical circuits so that PV production will initially only charge the aPower batteries, significantly improving black start success rate. When the batteries reach a homeowner set level of charge, the aGate will reconnect the Main Load Relay to return power to the home loads. Without the module, you will need to manually disconnect electrical appliances.

The Main Load Relay ensures a more reliable black start, returning power supply to the home as soon as there is sufficient solar production, even during extended power outages.

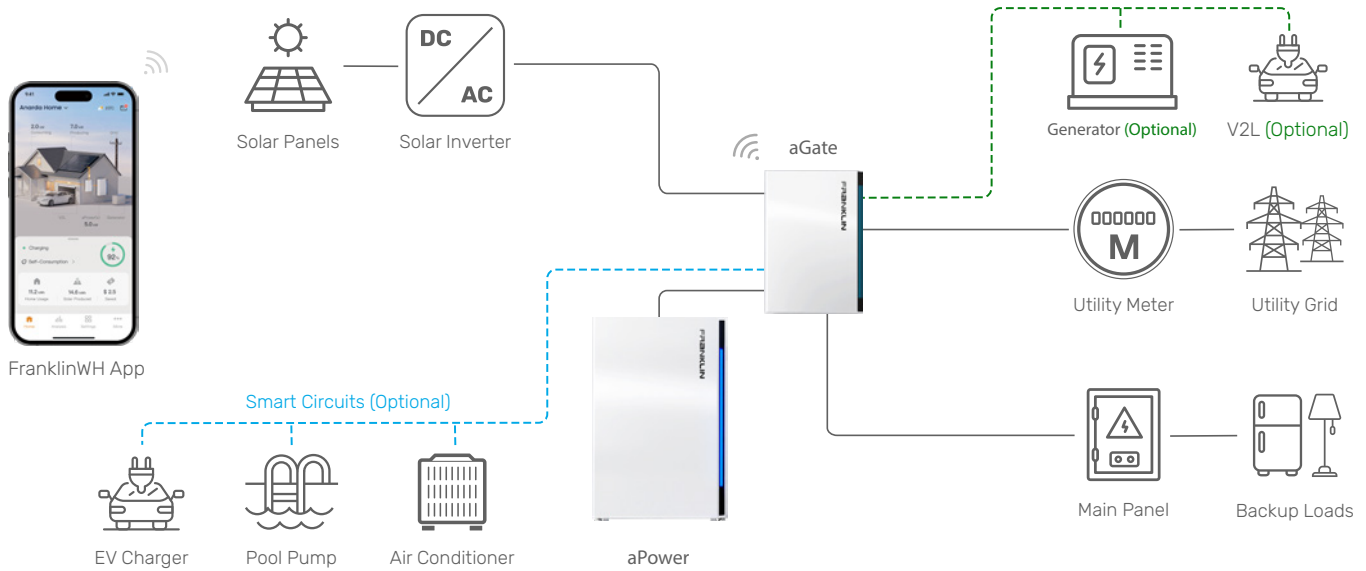


SPECIFICATIONS

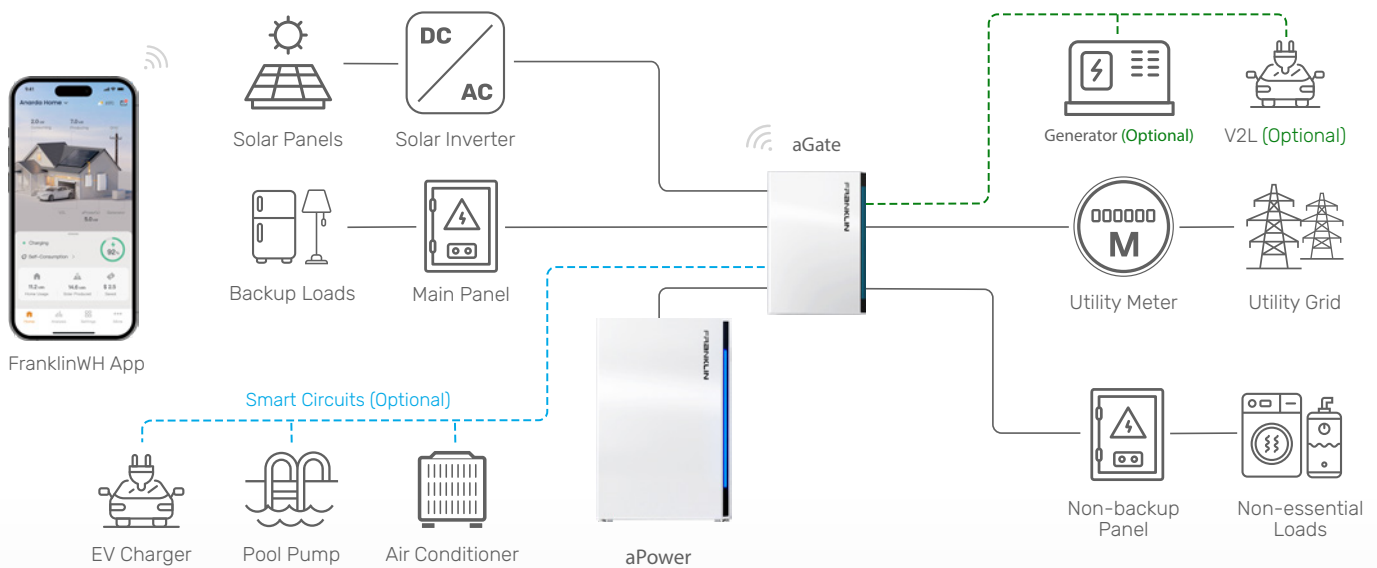
Nominal AC Voltage	120 / 208 V, 120 / 240 V, 60 Hz
Maximum Continuous Current	200 A
Dimensions (H x W x D)	3.9 x 2.8 x 1.6 in (100 x 70 x 40 mm)
Weight	0.66 lb (0.33 kg)

Franklin Home Power Solution

Whole Home Backup



Partial Home Backup



Address: 1731 Technology Dr., Suite 530 San Jose, CA 95110 **Telephone:** +1 888-837-2655 **Email:** info@franklinwh.com **Website:** www.franklinwh.com

Copyright 2024 FranklinWH Energy Storage Inc. All rights reserved. The Franklin logo, FranklinWH, and other trademarks or service names are the trademarks of FranklinWH Energy Storage Inc. The document is for informational purposes only, data subject to change. 2024-09-03

