

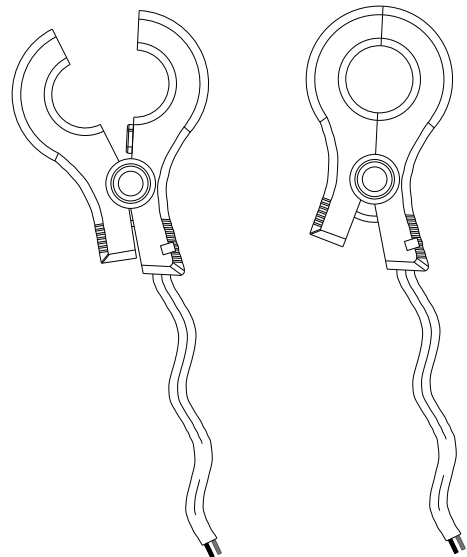
FranklinWH Split CT



In some home wiring situations, the solar (PV) panels or electrical load sub-panels are connected in a way that does not allow the aGate to properly measure the power flow through the internal CTs. FranklinWH provides a Split CTs solution to aggregate the sub-panel metering into the Franklin Home Power (FHP) system.

The Split CT is built with non-contact method via magnetic-induced current. It transforms the strong current into a safer signal current. This method permits a safer and easier approach for installers.

Note: A maximum cabling length of 50 ft (15 m) to connect the aGate to a Split CT is recommended, to prevent metering accuracy will be decreased.

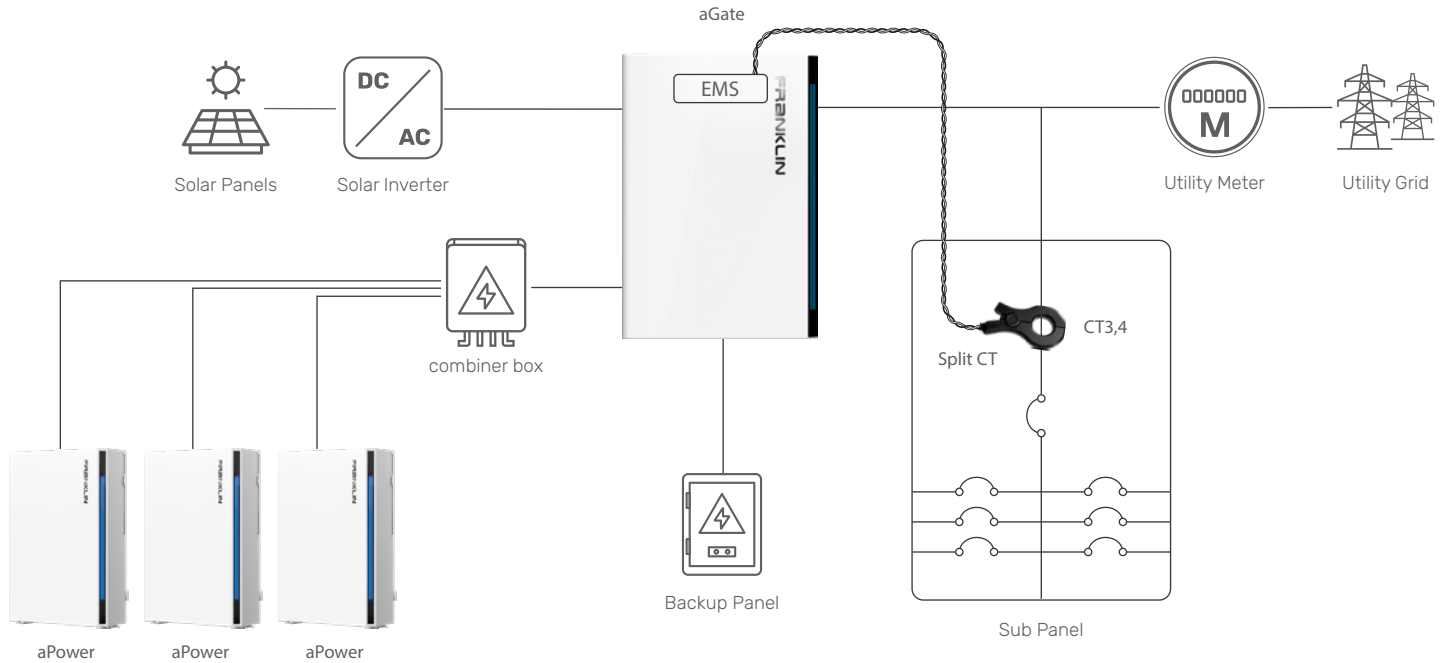


SPECIFICATIONS

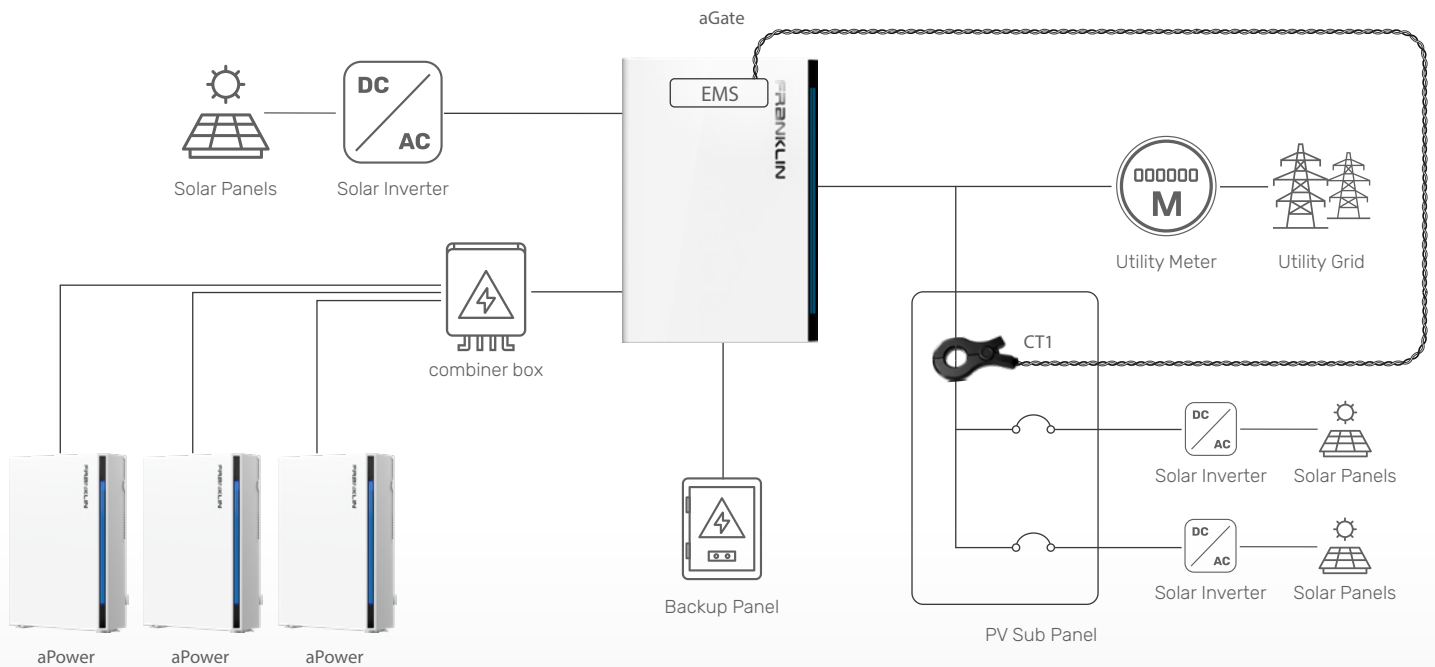
Current Rating	200 A
Output Current	40 mA
Clamp Opening Diameter	0.94 in +/- 0.02 in (24 mm +/- 0.5 mm)
Lead cable	Type: Twisted Pair Cable Black & White Cable Length : 50 ft (15 m)
Weight	0.66 lb (300 g)
Operating Temperature Range	-40°F~185°F (-40°C to 85°C)
IP Rating	30 (NEMA 1)

Typical Scenario

Line-side sub-panel metering



Line-side PV system metering



Address: 1731 Technology Dr., Suite 530 San Jose, CA 95110 Telephone: +1 888-837-2655 Email: info@franklinwh.com Website: www.franklinwh.com

Copyright 2024 FranklinWH Energy Storage Inc. All rights reserved. The Franklin logo, FranklinWH, and other trademarks or service names are the trademarks of FranklinWH Energy Storage Inc. The document is for informational purposes only, data subject to change. 2024-09-03

