

3.87
kWh

AMPLI PHI™
3.8-M Battery



15
YEAR
WARRANTY
BATTERY

Certified to UL 9540
and UL 9540A
Fire Safety Tested



The **Ampli PHI™ 3.8** Battery utilizes advanced Lithium Ferro Phosphate (LFP) chemistry that eliminates cobalt which reduces the risk of thermal runaway, fire propagation, operating temperature constraints, and toxic coolants to deliver more efficient, safer and reliable energy storage. Designed and built with versatility in mind, the Ampli PHI 3.8 Battery features a Battery Management System (BMS) with closed loop communications pre-configured for industry leading inverters that reports SOC and other critical real-time data, optimizing the value of storage and functionality within balance-of-system equipment. Combined with our proven overcurrent protection (OCPD) and accessible 100 Amp DC breaker On/Off switch, installation time is reduced and safety is increased during set-up, making it an ideal solution for battery replacement, expansion of existing systems, or as a new installation for residential and commercial systems, on and off-grid, scalable up to 60 batteries.

FEATURES



Battery Management System (BMS)
Closed-loop communication reports critical real-time data and simplifies installation.



Lithium Ferro Phosphate (LFP) Chemistry
Energized with safer, cobalt-free, lithium-ion phosphate PHI and Ampli PHI batteries that outperform alternative solutions..

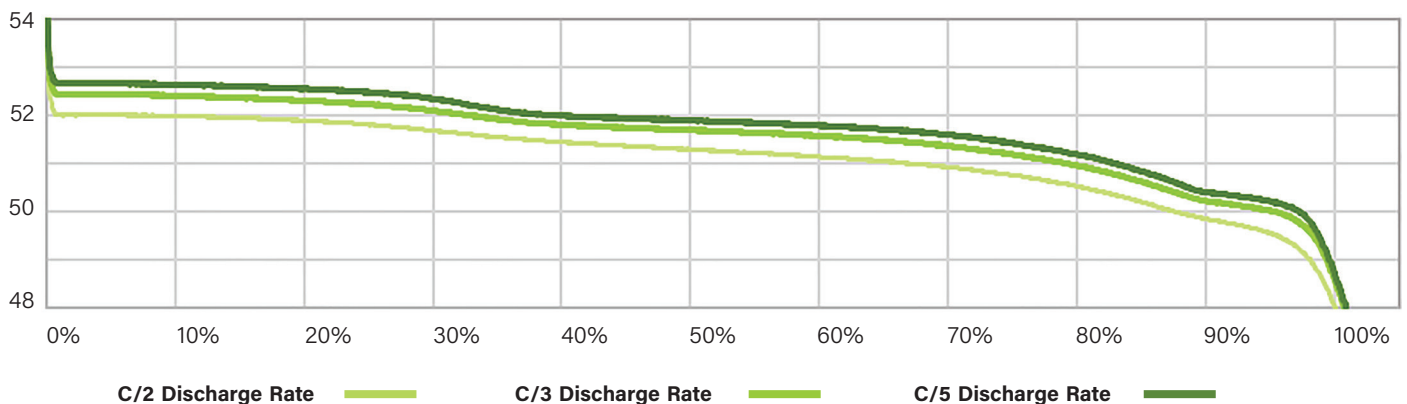


Pair with Leading Inverters
Ready to be integrated industry leading lithium ready inverters for ease of installation.



Scalable for any energy need
Scale up to 60 batteries to allow for larger storage capacity.

48V Battery Voltage VS. Discharged Capacity



3.87

kWh

AMPLIPIHI™

3.8-M Battery

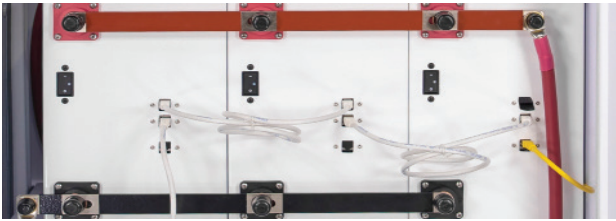


BRIGGS & STRATTON ENERGY SOLUTIONS

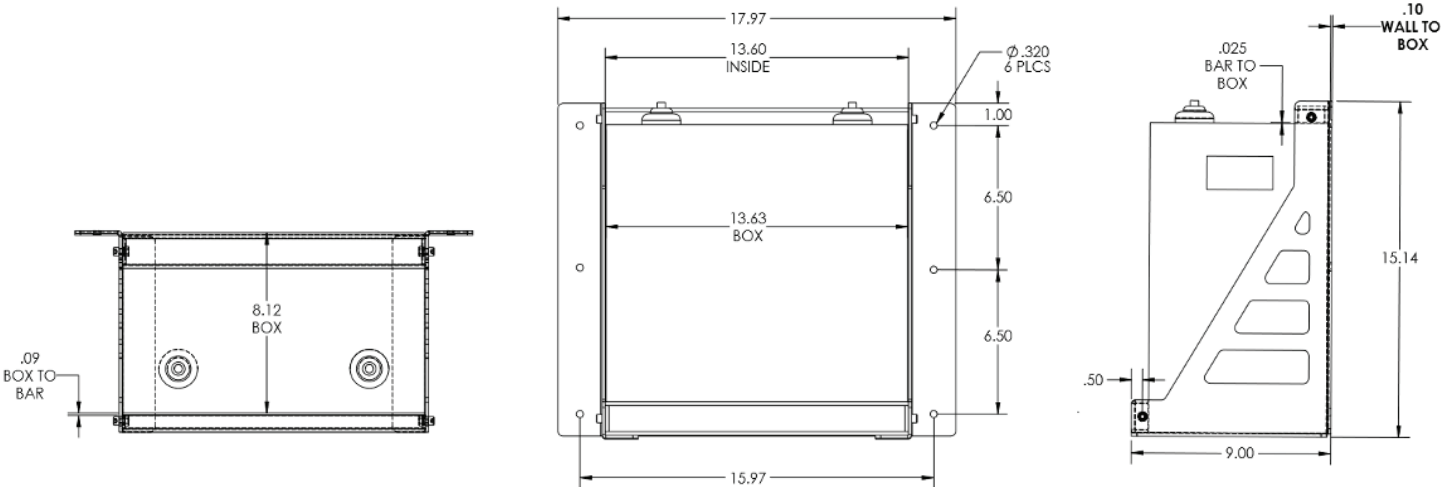
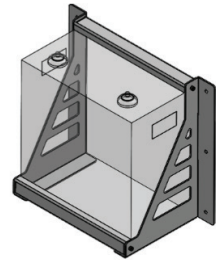
Specifications	
Model Number	AmpliPHI-3.8-48
DC Voltage - Nominal	51.2 VDC
Amp-Hours	75 Ah
Rated kWh Capacity	3.87 ¹ kWh DC @ 100% DOD 3.09 kWh DC @ 80% DOD
Max. Quantity Per System	60 (232kWh)
Max. Discharge Rate (10 minutes)	100 amps DC (5.1 kW DC)
Max. Continuous Discharge Rate	37.5 Amps DC (1.9 kW DC)
Max. Continuous Charge Rate	37.5 Amps DC (1.9 kW DC)
Certifications	UN 3480, Lithium ion batteries, 9, II UL, CE, UN/DOT and RoHS compliant components - UL 1642, UL 1973, Certified to UL 9540 and UL 9540A Fire Safety Tested

Product Dimensions	
Weight	86 lb (39 kg)
Dimensions (W x H x D)	13.5 x 14 x 8 in. (15.5" H w/terminals) / 0.88 ft ³ (34.3 x 35.6 x 20.3 cm / 0.025 m ³)

Specifications	
Operating Temperature ¹	-4° to 140° F (-20° to 60° C)
Storage Temperature	6 months: 14° to 77° F (-10° to 25° C) 3 months: -4° to 113° F (-20° to 45° C)
Self-Discharge Rate	< 1% per month
Cycle Life	10,000+ cycles (@ 80% DOD)
Memory Effect	None
DC Voltage Range ¹	48 VDC to 56 VDC
Depth of Discharge ¹	up to 100%
Charging Temperature ¹	32° to 120° F (0° to 49° C)
Warranty	15 Years ²
Terminals	3/8 IN (10 mm)
Battery Cables	6 AWG MINIMUM



Refer to the Integration Guide section of SimpliPHI's Product Documentation web page for wiring instructions, inverter and/or charge controller specific settings. Must be followed to maintain warranty.



All specifications listed are typical/nominal and subject to change without notice.
¹ Max operating ranges. Refer to Installation Manual for recommended conditions.
² See operator's manual or energy.briggsandstratton.com for complete warranty details.

Engineered and Manufactured in California, USA.
 Briggs & Stratton has a policy of continuous product improvement and reserves the right to modify its specifications at any time and without prior notice. Please visit BRIGGSandSTRATTON.com for the latest information.

BRIGGS & STRATTON
 POST OFFICE BOX 702
 MILWAUKEE, WI 53201 USA