

Raising the bar in innovative DC MLPE solar power systems



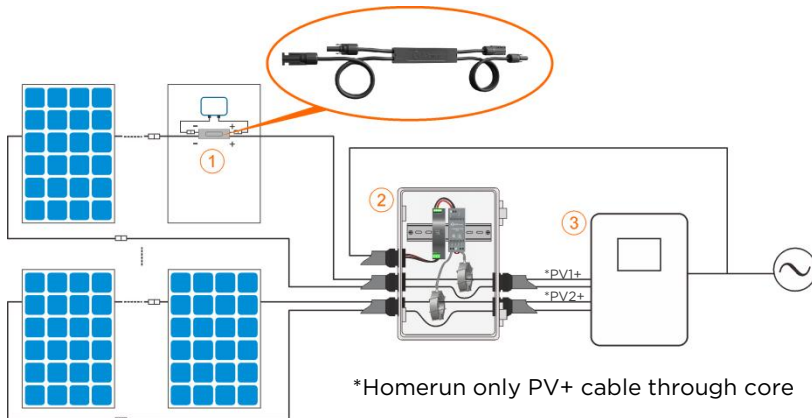
## TRANSMITTER-PLC OUTDOOR KIT

- Meets NEC 2017, 2020&2023 (690.12) requirements
- Switching off Transmitter-PLC results in rapid shutdown of the output of PV modules
- Meets SunSpec requirements
- Equipped with single/dual core
- Optional 85-264VAC power supply
- Optional 180-550VAC power supply

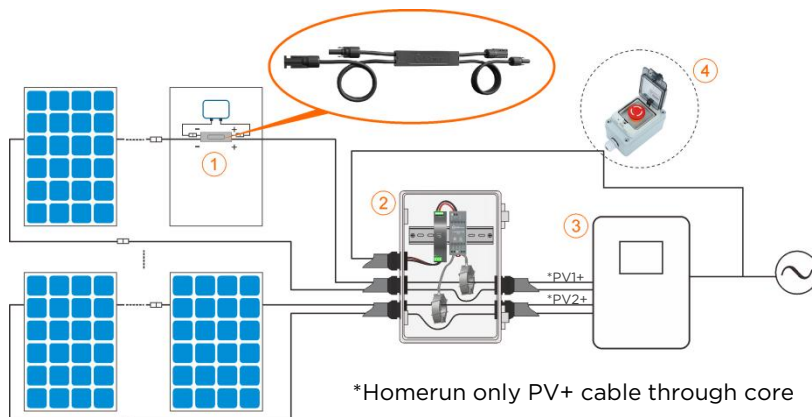
The APsmart Rapid Shutdown System Transmitter-PLC is part of a rapid shutdown solution when paired with APsmart RSD, a PV module rapid shutdown unit. While powered on, the Transmitter-PLC sends a signal to the RSD units to keep their PV modules connected and supplying energy.

RSD units automatically enter rapid shutdown mode when the Transmitter-PLC is switched off and resume energy production when power is restored to the Transmitter-PLC. This solution complies with NEC 690.12 specifications for 2017, 2020&2023 and supports the SunSpec signaling for rapid shutdown.

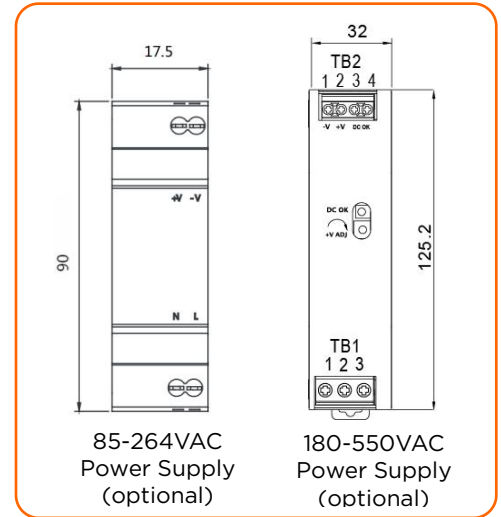
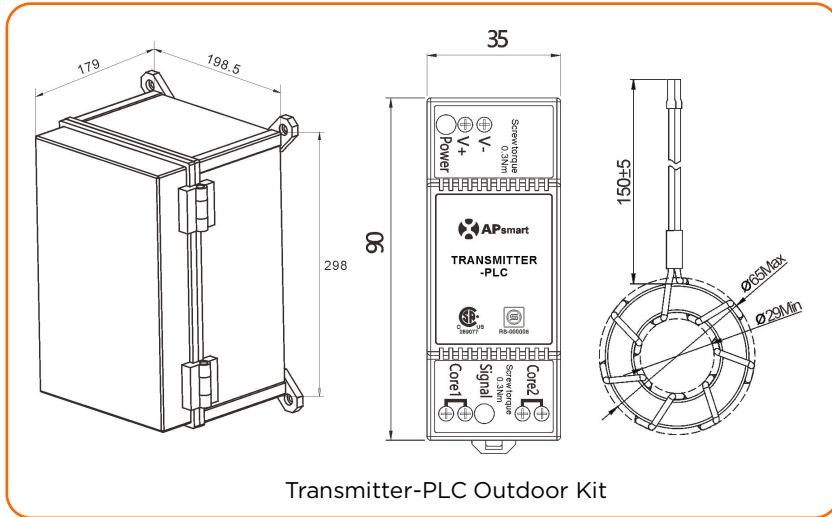
Transmitter-PLC Outdoor Kit includes a Transmitter-PLC with one or two cores, outdoor enclosure, 85-264VAC or 180-550VAC power supply. It could be used in residential or commercial project.



- ① RSD
- ② Transmitter-PLC Outdoor Kit
- ③ Inverter



- ① RSD
- ② Transmitter-PLC Outdoor Kit
- ③ Inverter
- ④ Emergency stop button box (optional): Press the emergency stop button, the transmitter AC power supply is disconnected, the RSD closes the output, and the system rapid shutdown.



### Main electrical data

Input Voltage	12 VDC
Input Current	0.8A
Communication	PLC

### Power Supply

Residential (optional)	85-264VAC Input, 12VDC Output, 90 mm x 17.5 mm x 58.4 mm
Commercial (optional)	180-550VAC Input, 12VDC Output, 125.2 mm x 32 mm x 102 mm

### Core data

Max. Current	320A (160A*2)
Max. System Voltage	1500VDC
Internal Opening for Wires/Outside Dimensions	-29mm/65mm
Max. Supported PV Modules per String	30 modules

### Max.Number Of Strings Per Core

DC Cable Diameter	Φ 5.9mm	Φ 6.35mm	Φ 7mm	Φ 8.6mm
Number Of Strings Per Core(without connector)	≤15	≤15	≤14	≤10

### Environmental

Temperature	-40°C ~ +60°C
-------------	---------------

### Structure data

Dimensions (W x H x D)	198.5 mm x 298 mm x 179 mm
Enclosure Environmental Rating	IP65

### Features & Compliance

Safety Compliance	NEC 2017, 2020&2023 (690.12); UL1741; CSA C22.2 No. 330-17
EMC Compliance	FCC Part15; ICES-003



## ORDERING INFORMATION

408004	Single Core Transmitter-PLC-Outdoor Kit, 180-550VAC Power Supply
408005	Dual Core Transmitter-PLC-Outdoor Kit, 180-550VAC Power Supply
408006	Single Core Transmitter-PLC-Outdoor Kit, 85-264VAC Power Supply
408007	Dual Core Transmitter-PLC-Outdoor Kit, 85-264VAC Power Supply
408010	Single Core Transmitter-PLC-Outdoor Kit, 180-550VAC Power Supply, Emergency button
408011	Dual Core Transmitter-PLC-Outdoor Kit, 180-550VAC Power Supply, Emergency button
408012	Single Core Transmitter-PLC-Outdoor Kit, 85-264VAC Power Supply, Emergency button
408013	Dual Core Transmitter-PLC-Outdoor Kit, 85-264VAC Power Supply, Emergency button

## APsmart

8627 N Mopac Expy, Suite 150, Austin, TX 78759 | +1-737-218-8486 | +1-866-374-8538 | support@APsmartGlobal.com | APsmartGlobal.com